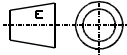
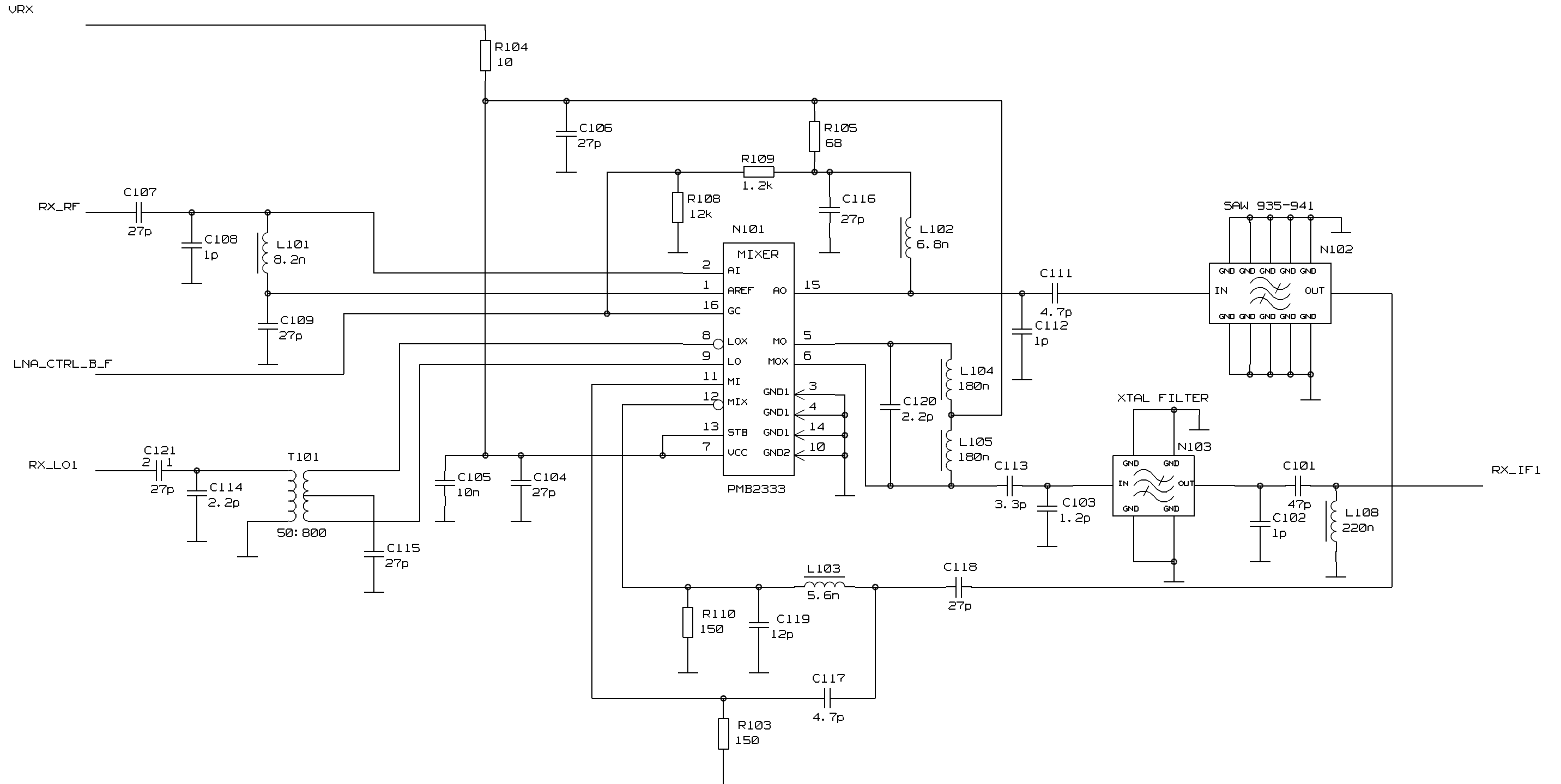


Uppgjord/Prepared 1998 ERV/SHC AAO	Faktsansvarig/Subject Responsible ERV/SHC AAO	Nr No 1911-ROA 117 9109/1	
Dokumentansvarig/Doc responsible/Approved ERV/SHC (A. ANDERSSON)		Datum/Date SE NEDAN	File: 51900
Benämning RX FRONTEND		Titel RX FRONTEND	
	Toleranser/Tolerances	Ritningsregler/Drawing rules	Ref

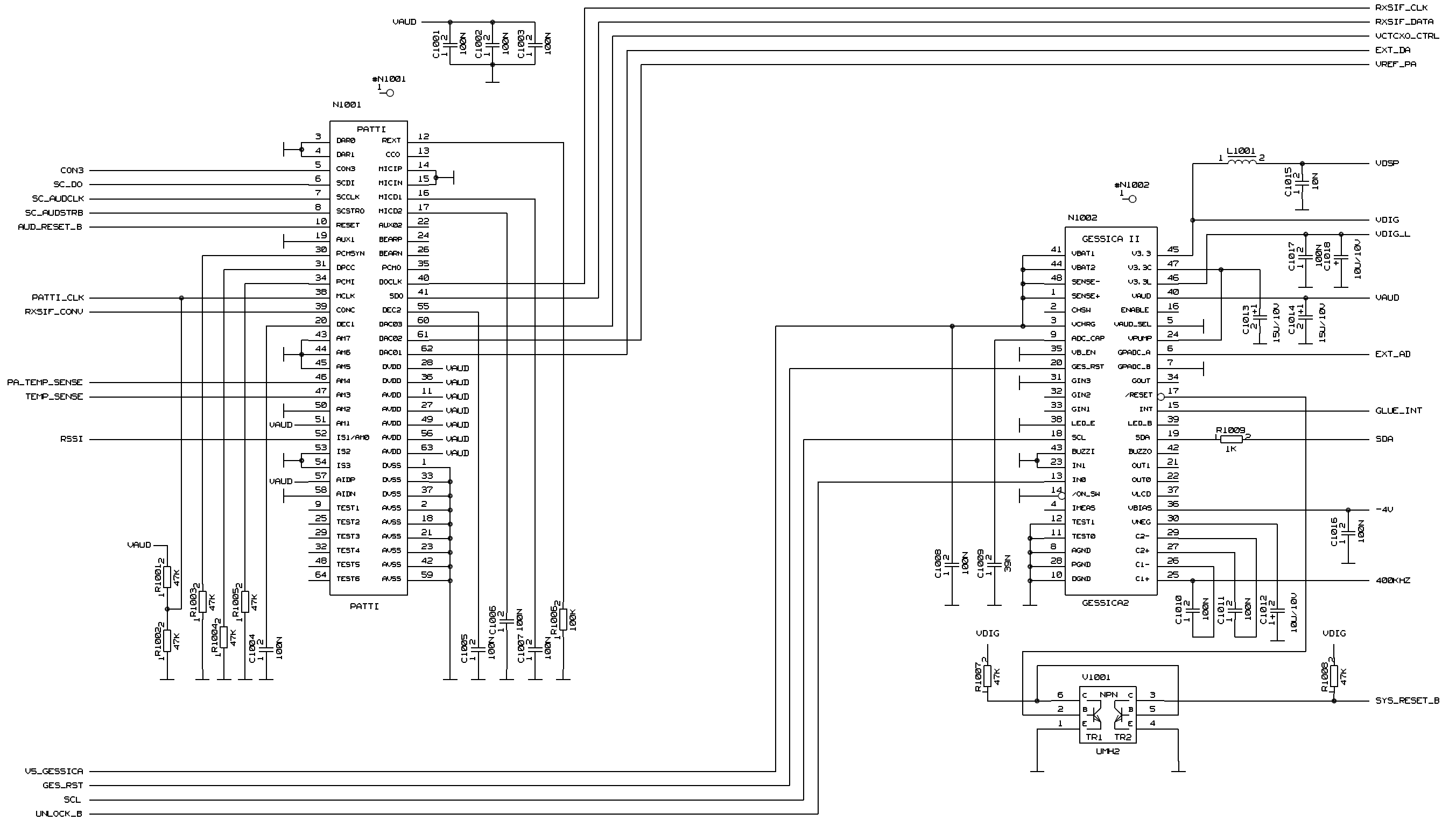
Sheet
Rev
C
99-06



DRAWING
TITLE=m3090
ABBREV=m3090
LAST_MODIFIED=fr: Jun 18 13:09:44 1999

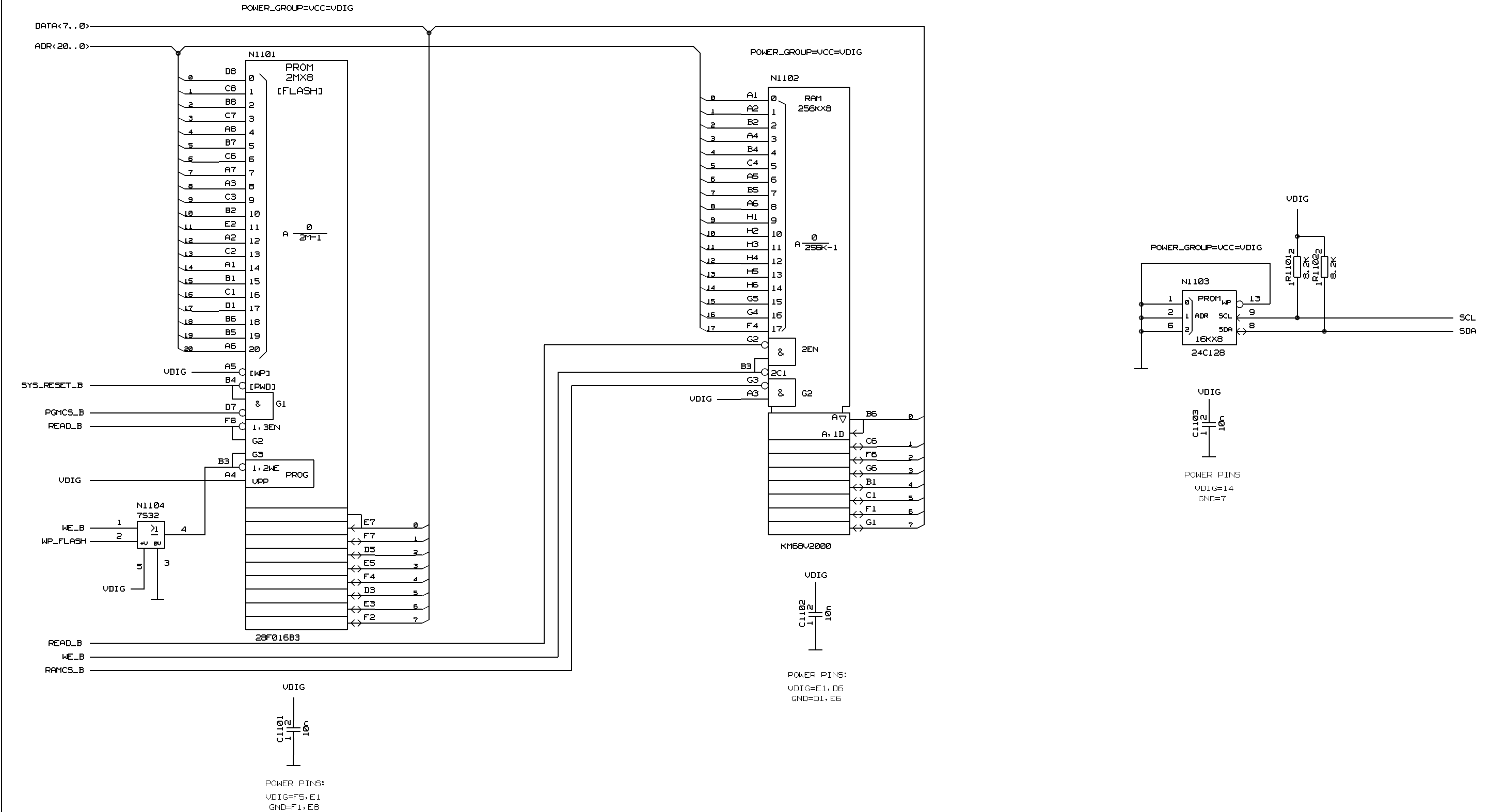
Uppg.ordr: 1998 ERU/NH LOT	För tekniker/ig. Självsk. Resonans 10 18	Pr. No: 1911-ROA 117 9109/1
Doc. ansvar/Doc. Resonans 10 18/Approved: ERU/NHC (T. GORANSSON)	Docum. Date: SE NEDAN	File: 3790
Benämning: MOBITEX MODEM, M3090 ASIC PATTI AND GESSICA II		MOBITEX MODEM, M3090 ASIC PATTI AND GESSICA II
Toleranser: Toleranser	Plattningar/eg. Drawing Files	Rev

Sheet: C
99-06

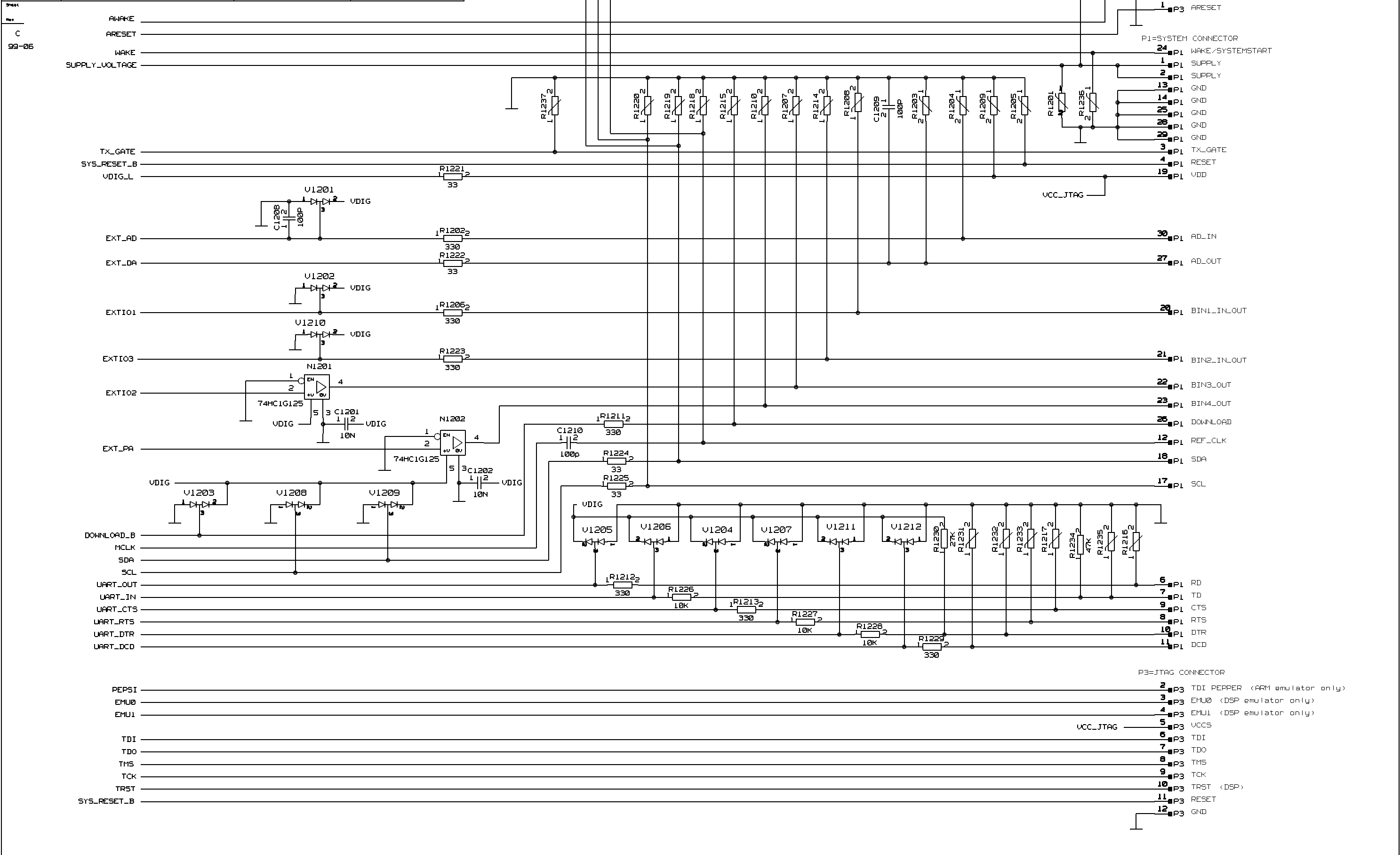



Uppdrag: 1998 ERU/NH LOT	För tekniker/g: ERU/NH LOT	Nr: 1911-ROA 117 9109/1	
Doc. ansvar/Doc. Reason: (D)/Approved: ERU/NHC (T. GORANSSON)	Docum. Date: SE NEDAN	File: 3790	
Benämning: MOBITEK MODEM, M3090 MINNE		Titel: MOBITEK MODEM, M3090 MEMORY	
Toleranser: Tolerances		Ritningsregler: Drawing Rules	

Sheet: C
99-06

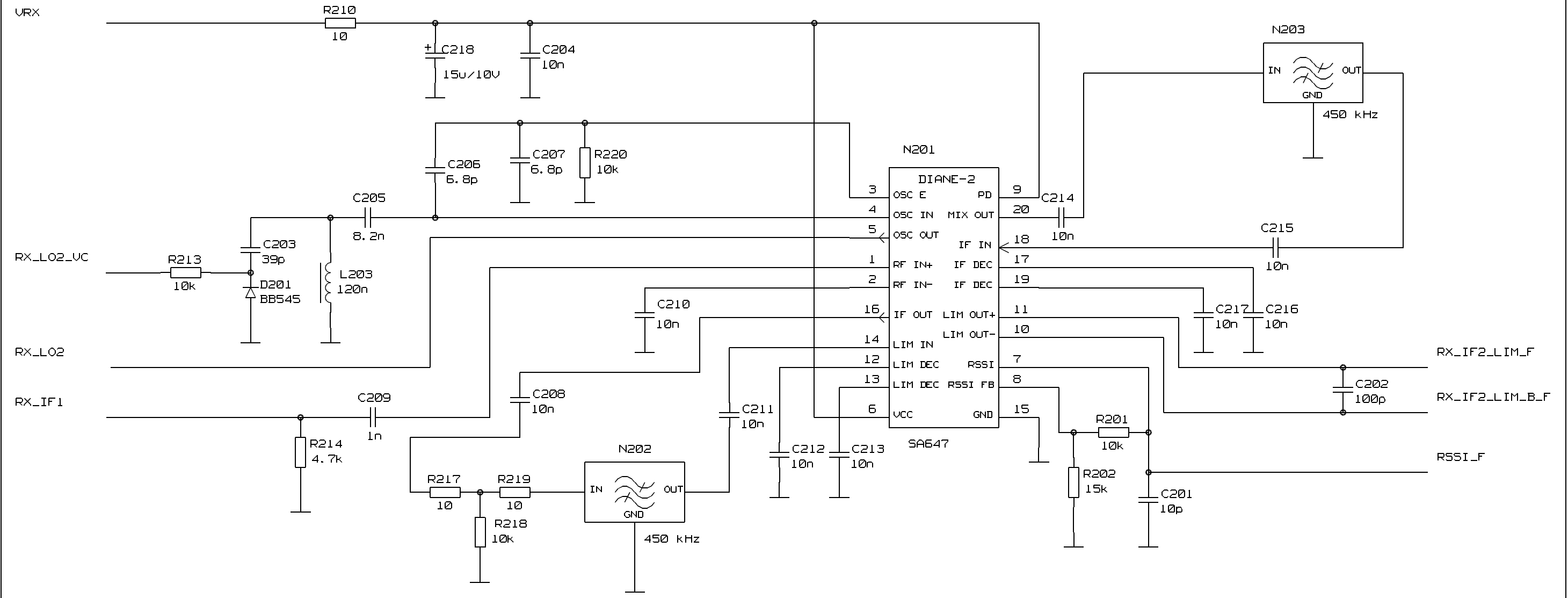


Uspjeda / Prepared: 1998 ERU/NH LOT	Priloga / Subject: ERU/NH LOT	Broj / No: 1911-ROA 117 9109/1
Doc. status / Doc. status: ERU/NHC	Doc. reasons / Dis/Approved: SE NEDAN	File: 3790
Nomenklatura: MOBITEK MODEM, M3090 INTERFACE		Titlo: MOBITEK MODEM, M3090 INTERFACE
Tolerancije / Tolerances:	Priloga / Drawing Files:	Rev:

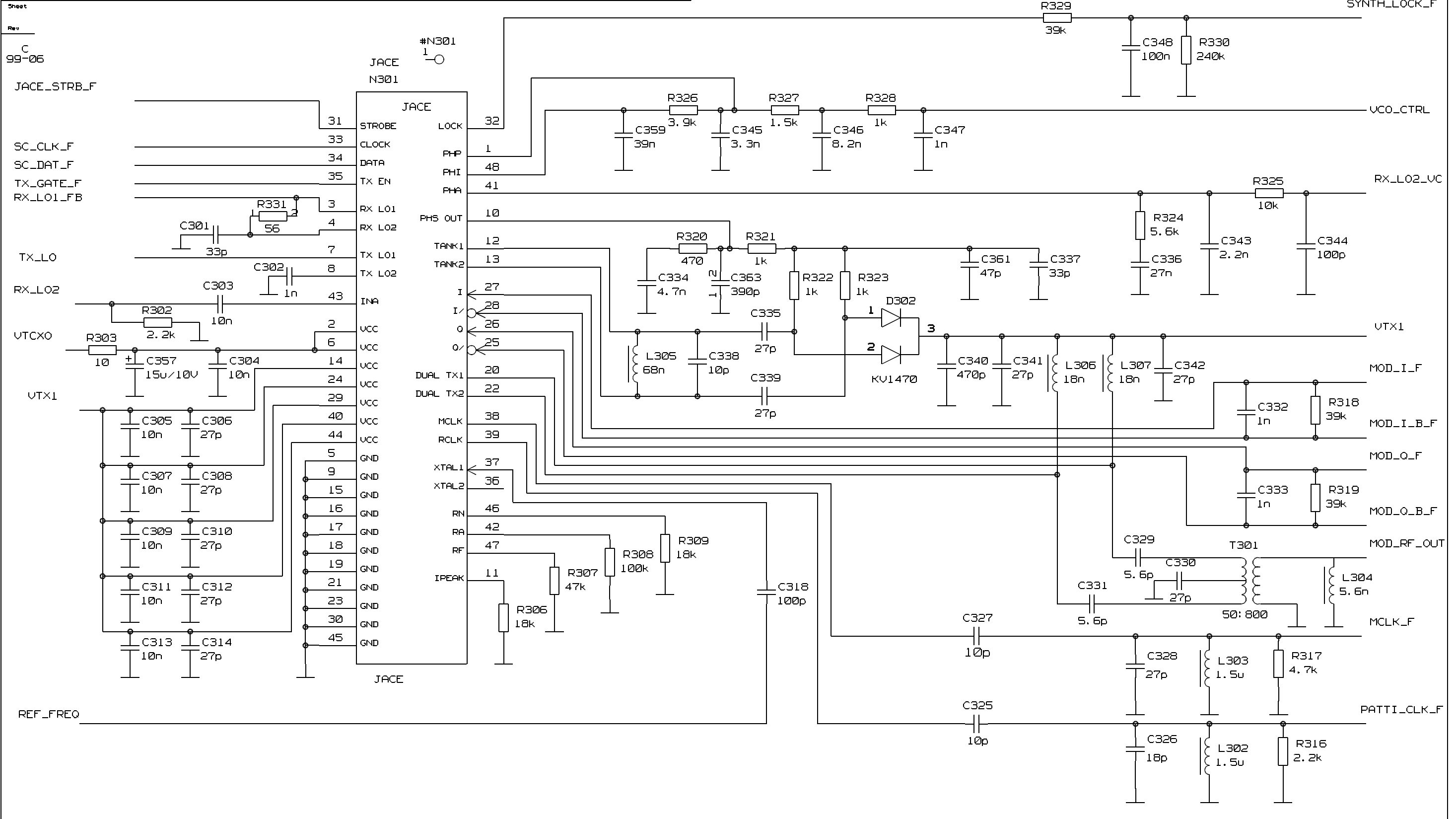



Uppgjord Prepared 1998 ERV/SHC AAO	Faktsansvarig Subject Responsible ERV/SHC AAO	Nr No 1911-ROA 117 9109/1	
Dokumentansvarig/Doc responsible/Approved ERV/SHC		Datum Date SE NEDAN	File: 51940
Benämning RX MF		Titel RX IF	
	Toleranser Tolerances	Ritningsregler Drawing rules	Ref

Sheet
Rev
C
99-06

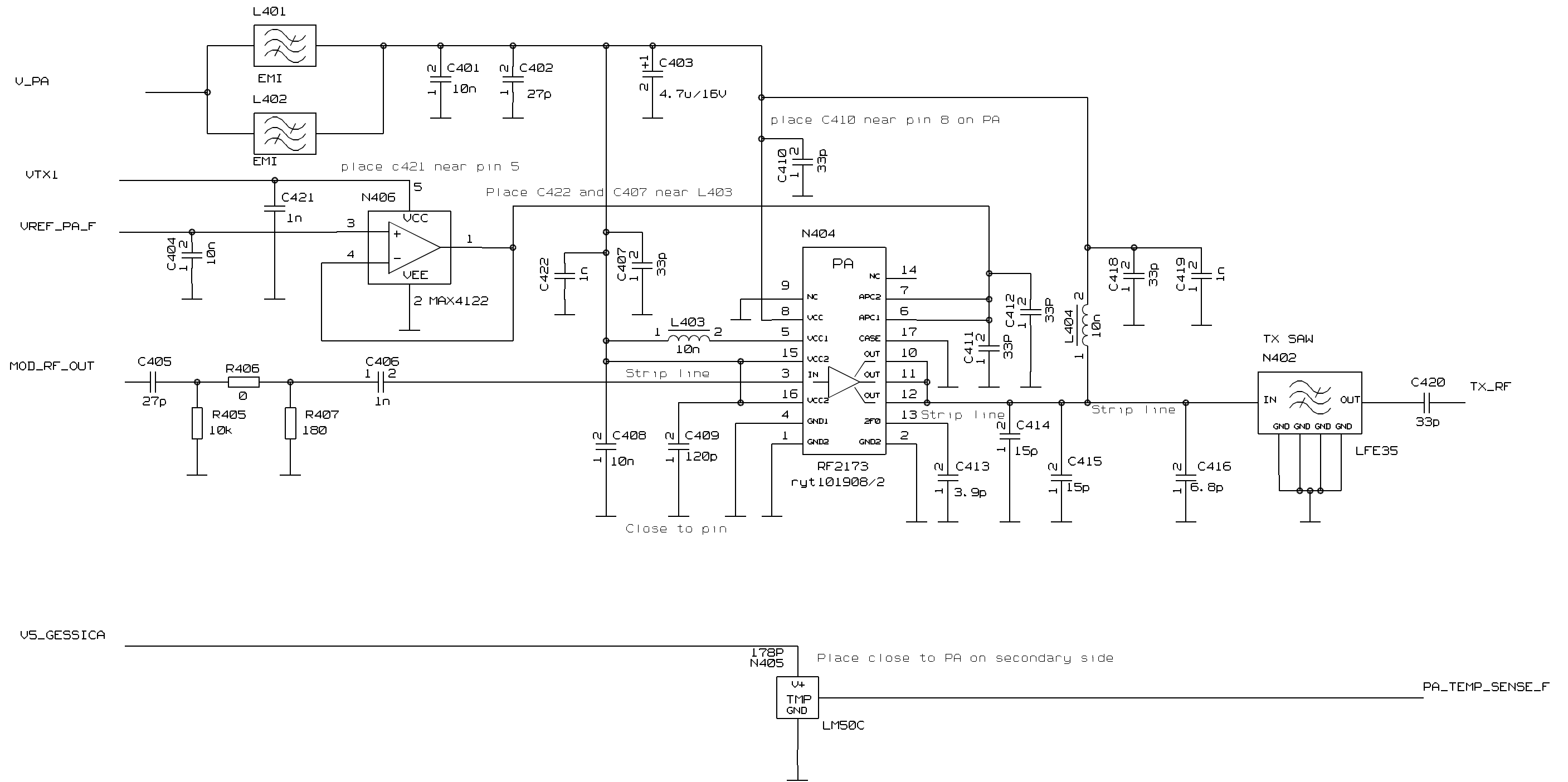


Uppgjord Prepared 1998 ERV/SHC ERVAAO	Faktsansvarig Subject Responsible ERV/SHC ERVAAO	Nr No 1911-ROA 117 9109/1	
Dokumentansvarig Doc responsible/Approved ERV/SHC		Datum Date SE NEDAN	File: ST400
Benämning MODULATOR & SYNT		Titel MODULATOR & SYNTH	
Toleranser Tolerances		Ritningsregler Drawing rules	Ref

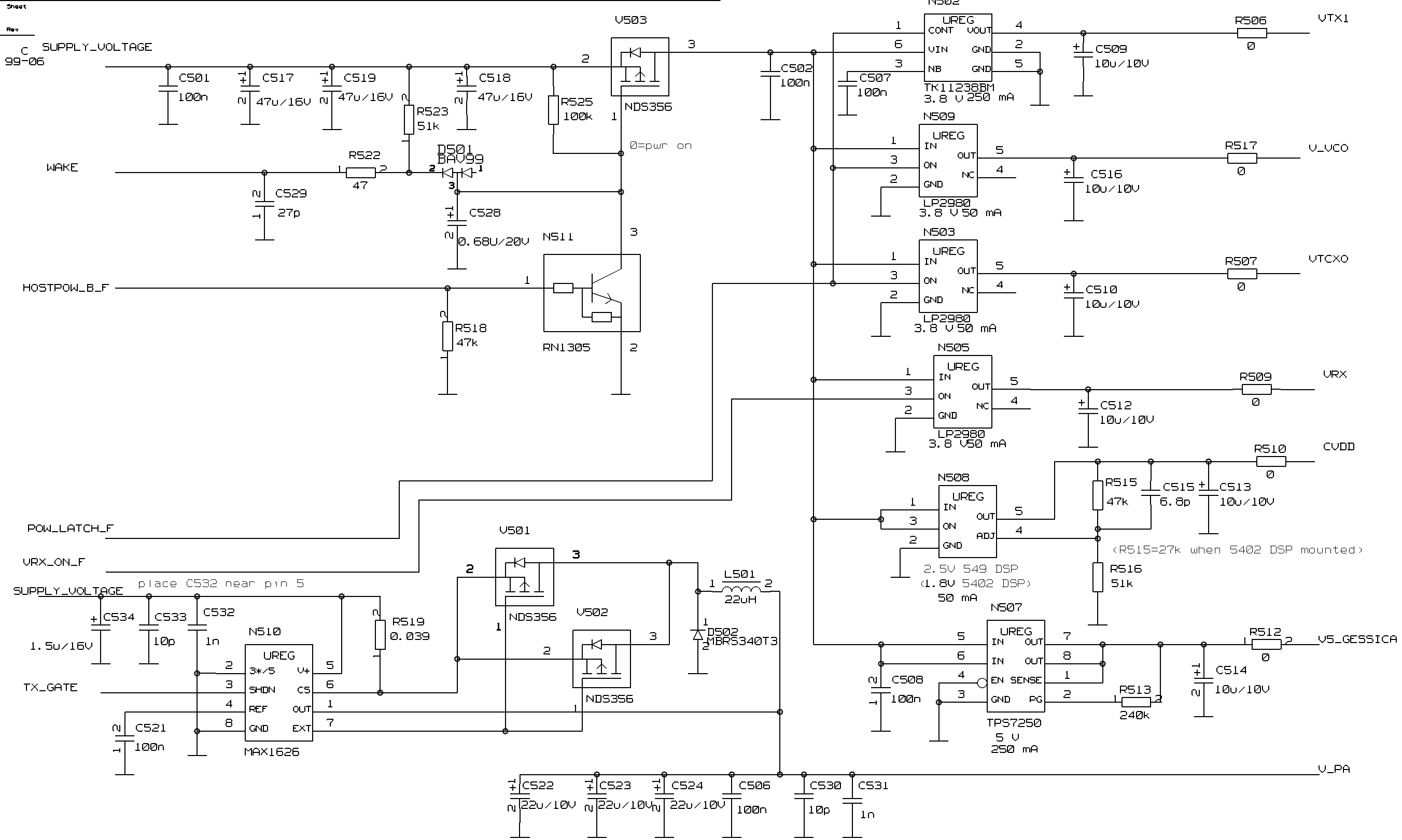


Uppgjord Prepared 1998 ERV/SHC ERVAAO	Faktsansvarig Subject Responsible ERV/SHC ERVAAO	Nr No 1911-ROA 117 9109/1	
Dokumentansvarig Doc responsible/Approved ERV/SHC		Datum Date SE NEDAN	File: ST900
Benämning PA		Titel PA	
	Toleranser Tolerances	Ritningsregler Drawing rules	Ref

Sheet
Rev
C
99-06

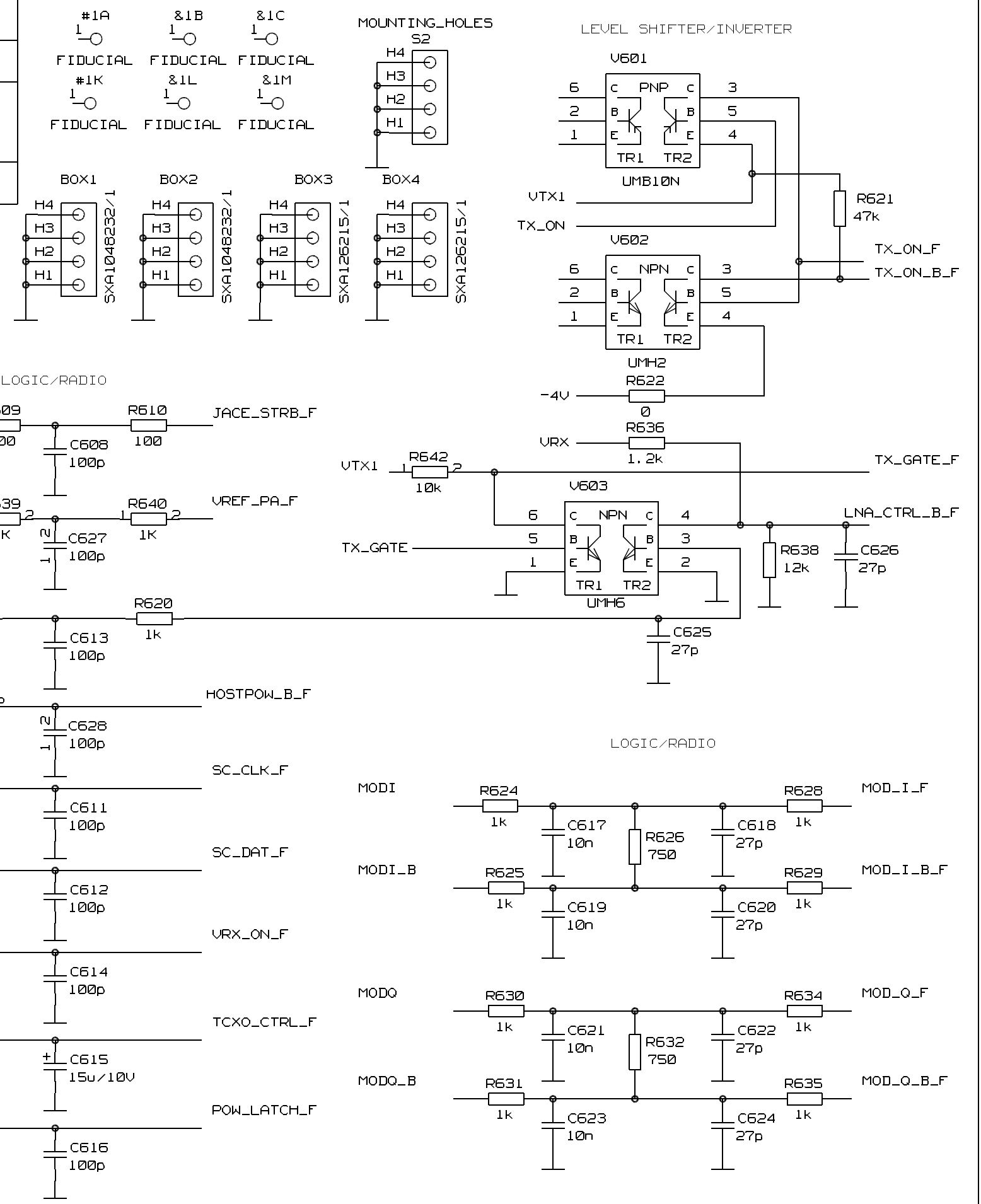


Uppgjord Prepared 1998 ERV/SHC ERVAAO	Faktsansvarig Subject Responsible ERV/SHC ERVAAO	Nr No 1911-ROA 117 9109/1	
Dokumentansvarig Doc responsible/Approved ERV/SHC		Datum Date SE NEDAN	File: ST400
Benämning DC-MATNING		Titel POWER SUPPLY	
Toleranser Tolerances		Ritningsregler Drawing rules	Ref



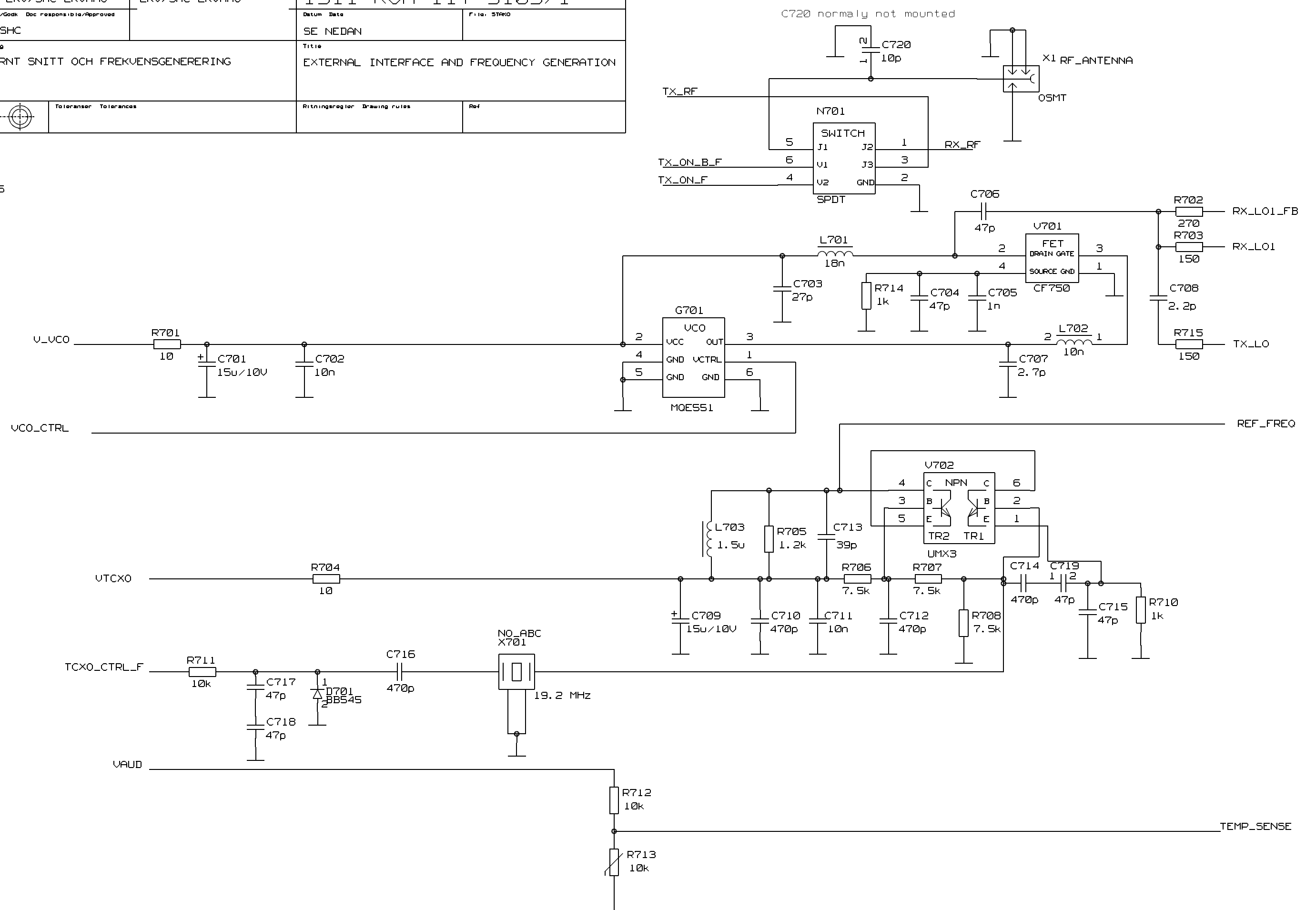
Uppgjord Prepared 1998 ERV/SHC ERVAAO	Faktsansvarig Subject Responsible ERV/SHC ERVAAO	Nr No 1911-ROA 117 9109/1	
Dokumentansvarig Doc responsible/Approved ERV/SHC		Datum Date SE NEDAN	File: ST400
Benämning RADIO/LOGIK SIGNALFILTREERING		Titel RADIO/LOGIC SIGNAL FILTERING	
Toleranser Tolerances		Ritningsregler Drawing rules	Ref

Sheet
Rev
C
99-06



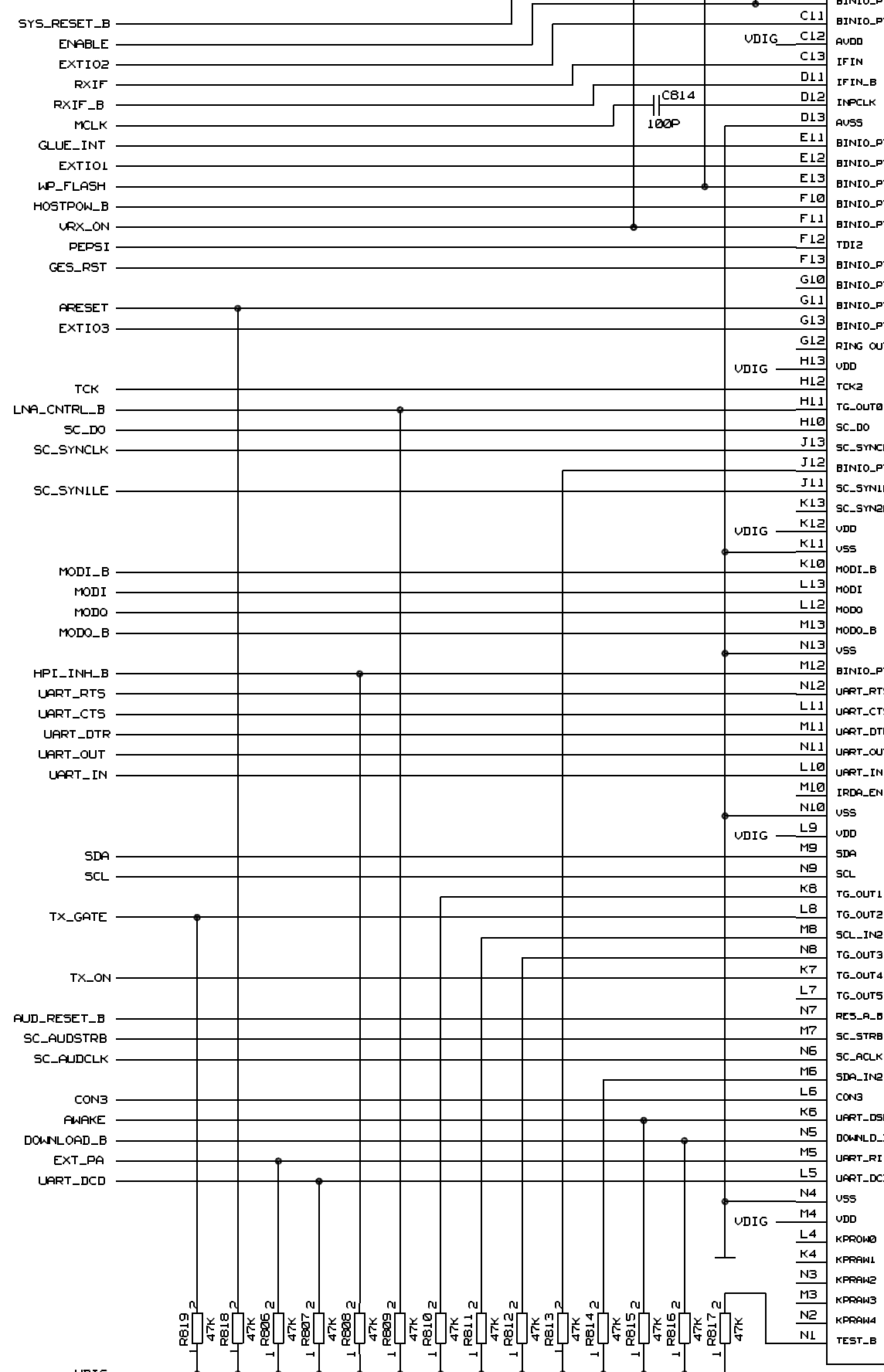
Uppgjord Prepared 1998 ERV/SHC ERVAAO	Faktsansvarig Subject Responsible ERV/SHC ERVAAO	Nr No 1911-ROA 117 9109/1
Dok ansvar/Godk Doc responsible/Approved ERV/SHC	Datum Date SE NEDAN	File: 51940
Benämning EXTERNT SNITT OCH FREKVENSGENERERING	Title EXTERNAL INTERFACE AND FREQUENCY GENERATION	
Toleranser Tolerances	Ritningsregler Drawing rules	Ref

Sheet
C
99-06

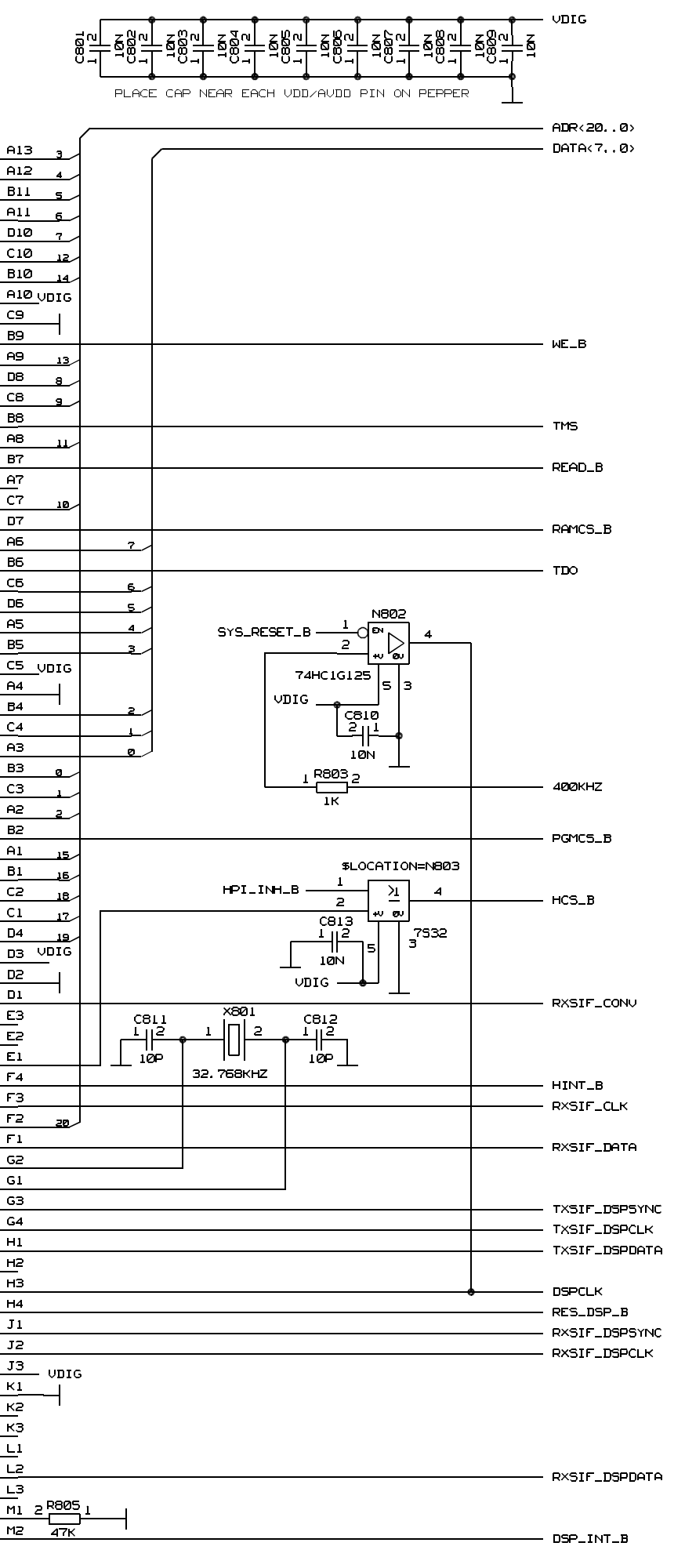


Uppgjord Prepared 1998 ERU/NH LOT	För godkännande Subject Reasons to be ERU/NH LOT	Nr No 1911-ROA 117 9109/1	
Dot. ansvarig Doc. responsible/Approved ERU/NHC (T. GORANSSON)		Datum Date SE NEDAN	File: 5790
Benämning MOBITEX MODEM, M3090 ASIC PEPPER		Titel MOBITEX MODEM, M3090 ASIC PEPPER	
Toleranser Tolerances		Förhållningssätt Drawing Rules	

Sheet
C
99-06



PEPPER		
B1.2	RESPW_B	UPADDR3
B1.3	BINIO_PT1	UPADDR4
C1.1	BINIO_PT2	UPADDR5
C1.2	AUDD	UPADDR6
C1.3	IFIN	UPADDR7
D1.1	IFIN_B	UPADDR12
D1.2	INPCLK	UPADDR14
D1.3	AUSS	VDD
E1.1	BINIO_PT3	VSS
E1.2	BINIO_PT4	UPWRITE_B
E1.3	BINIO_PT6	UPADDR13
F1.0	BINIO_PT5	UPADDR8
F1.1	BINIO_PT7	UPADDR9
F1.2	TDI2	THS2
F1.3	BINIO_PT8	UPADDR11
G1.0	BINIO_PT9	UPREAD_B
G1.1	BINIO_PT10	UPEECS_B
G1.3	BINIO_PT11	UPADDR10
G1.2	RING_OUT	D7
H1.3	VDD	UPDATA7
H1.2	TCK2	TD02
H1.1	TG_OUT0	UPDATA6
H1.0	SC_DO	UPDATA5
J1.3	SC_SYNCLK	UPDATA4
J1.2	BINIO_PT0	UPDATA3
J1.1	SC_SYNLE	VDD
K1.3	SC_SYNLE	VSS
K1.2	VDD	UPDATA2
K1.1	VSS	UPDATA1
K1.0	MODI_B	UPDATA0
L1.3	MODI	UPADDR0
L1.2	MODO	UPADDR1
M1.3	MODO_B	UPADDR2
N1.3	VSS	UPPGMS_B
N1.2	BINIO_PT12	UPADDR15
N1.1	UART_RTS	UPADDR16
L1.1	UART_CTS	UPADDR18
M1.1	UART_DTR	UPADDR17
N1.1	UART_OUT	UPADDR19
L1.0	UART_IN	VDD
M1.0	IRDR_EN	VSS
L9	VDD	D3
M9	SDA	D2
N9	SCL	D1
K6	TG_OUT1	E3
L8	TG_OUT2	E2
M8	SCL_IN2	E1
N8	TG_OUT3	F4
K7	TG_OUT4	F3
L7	TG_OUT5	F2
N7	RES_A_B	F1
M7	SC_STRB	G2
N6	SC_ACLK	G1
M6	SDA_IN2	G3
L6	CON3	G4
K6	UART_DSR	H1
N5	DOWNL_B	H2
M5	UART_RI	H3
L5	UART_DCD	H4
N4	VSS	J1
M4	VDD	J2
L4	KPROM0	J3
K4	KPRAW1	K1
N3	KPRAW2	K2
M3	KPRAW3	K3
N2	KPRAW4	L1
N1	TEST_B	L2
		L3
		M1
		M2



Uppg.ordr: 1998 ERU/NH LOT	Proj.ansvarig: ERU/NH LOT	Nr. No: 1911-ROA 117 9109/1	
Doc. ansvarig: ERU/NHC (T. GORANSSON)	Doc. revisions/Dis/Approved:	Datum: 2018	File: 3780
Benämning: MOBITEK MODEM, M3090 DSP		Titel: MOBITEK MODEM, M3090 DSP	
Toleranser: Tolerances		Ritningsgränser: Drawing Lines	

Sheet: C
 Rev: 99-06

