

## Federal Communications Commission Statement

This equipment has been tested and found to comply with the limits for a Class B digital device, pursuant to Part 15 of the FCC Rules. These limits are designed to provide reasonable protection against harmful interference in a residential installation. This equipment generates, uses, and can radiate radio frequency energy and, if not installed and used in accordance with the instruction, may cause harmful interference to radio communications. However, there is no guarantee that interference will not occur in a particular installation. If this equipment does cause harmful interference to radio or television reception, which can be determined by turning the equipment off and on, the user is encouraged to try and correct the interference by one of the following measures:

Reorient or relocate the receiving antenna,

Increase the separation between the equipment and receiver,

Connect the equipment into an outlet on a circuit different from that to which the receiver is connected.

Consult the dealer or an experienced radio/TV technician for help.

This device complies with Part 15 of the FCC Rules. Operation is subject to the following two conditions: (1) this device may not cause harmful interference, and (2) this device must accept any interference received, including interference that may cause undesired operation.

FCC Caution: Any changes or modifications not expressly approved by the party responsible for compliance could void the user's authority to operate this equipment.

## Limited Warranty

Oplink Guarantees that every wireless door/window sensor is free from physical defects in material and workmanship under normal usage for one year from the date of purchase. If the product proves defective during this one-year warranty period, Oplink will replace it free of charge. Oplink does not issue any refunds. This warranty is extended to the original end user purchase only and is not transferable. This warranty does not apply to: (1) damage to units caused by accident, dropping or abuse in handling, or any negligent usage; (2) units which have been repaired, taken apart, or modified by an unauthorized personnel; (3) units not used in accordance with instruction; (4) damages exceeding the cost of the product; (5) transit damage, initial installation costs, removal cost, or reinstallation cost.

For information on additional devices, please visit us at [www.oplink.com](http://www.oplink.com)



## Installation & Operation Manual

DWM1301

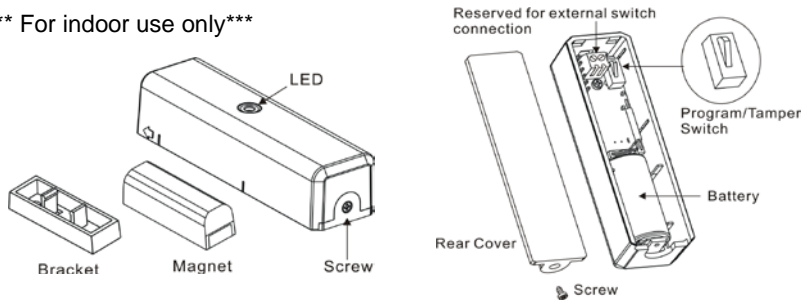
## Wireless Door/ Window Magnetic Sensor

## Introduction

Thanks for choosing the Oplink wireless door/window sensor of the home security device. This sensor monitors door/window when door or window is opened and closed.

## Product Description and Specification

\*\*\* For indoor use only\*\*\*

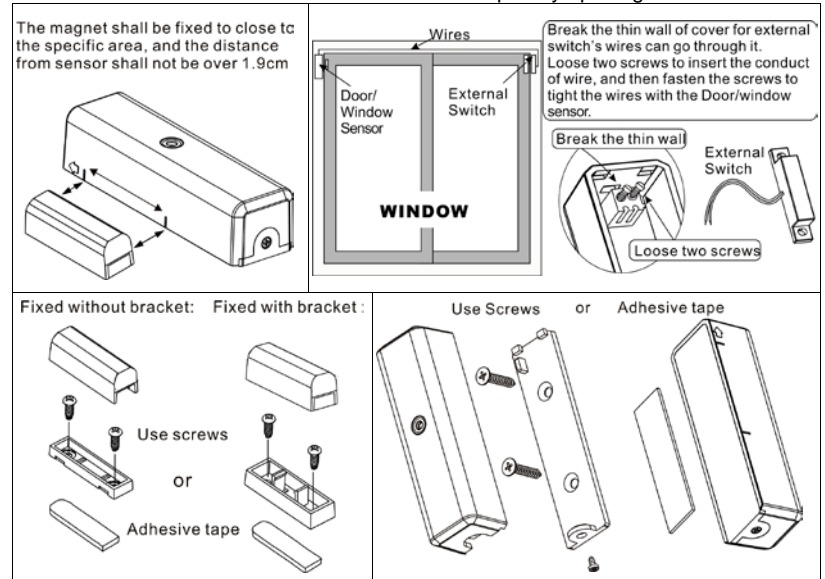


Specification:	Package Content:
Protocol: 433.92Mhz	1pc Dwm1301 sensor
Operating Range: Up to 200 feet line of sight	1pc Bracket for Contact Magnet
Operating Temp.: -15°C~ 60°C (5°F ~140°F)	1pc Magnet
Battery: Panasonic CR123A * 1PC	2pcs Adhesive tape for Magnet / sensor
	1pc CR123A Lithium Battery
	4pcs Screws for bracket/ sensor
	1pc Installation & Operation manual

## Installation

1. Unscrew the screw fastening the rear cover.
2. Slide the rear cover down.
3. Using the screws or adhesive tape to affix the rear cover on the frame along the opening edge of door / window.
4. Before insert the battery, put home security controller into learning mode. Once put on CR123A battery into the battery compartment and LED will flash 5 times, and HD 2102 door/window sensor will automotive included into system.
5. Slide back the rear cover and screw fastening with the front cove.
6. Fix the Magnet by using the adhesive tape or fixing screws, locate the Magnet close to the DWM1301 sensor the distance between these two devices should be in 1.9cm.

7. External Switch: If your window needs two sensors for fully monitoring. You could use an external switch to connect with the DWM1301 for extending detection. The DWM1301 has 2 normally closed contact terminals. These can be used for additional external switch wired contacts. The external switch will send an alarm report by opening the window/door.



## Operation

1. Opening the door/window to separate the magnet from the sensor will send signal to the controller, and the LED will flash 5 times
2. Normal operation, the LED will not light.
3. The DWM1301 sensor equipped with tamper switch. If the cover of sensor is removed, the door sensor will report a zone tamper to the controller, and the LED will flash 5 times.
4. If door/window sensor is in low battery status, it will report a message to controller, and LED will flash slow. Please change the battery.