

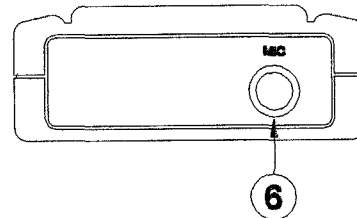
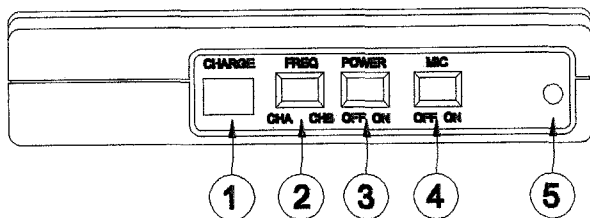
**LES-360T/LES-360R**

**INSTRUCTION MANUAL**

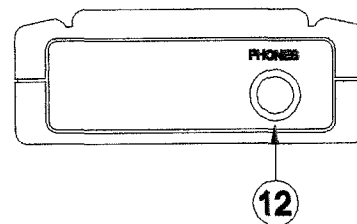
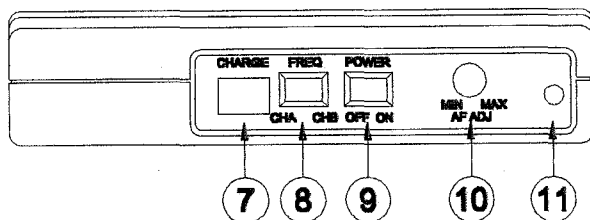
## **NOTE:**

**THIS DEVICE COMPLIES WITH FCC RULES PARTS 15. OPERATION IS SUBJECT TO THE FOLLOWING CONDITIONS: (1) THIS DEVICE MAY NOT CAUSE HARMFUL INTERFERENCE AND (2) THIS DEVICE MUST ACCEPT ANY INTERFERENCE THAT MAY CAUSE UNDESIRABLE OPERATION.**

# LES-360T/LES-360R FUNCTION AND OPERATOR



## LES-360T TRANSMITTER



## LES-360R RECEIVER

### TRANSMITTER

- ① Battery charge jack
- ② Frequency select switch
- ③ Power switch
- ④ Microphone switch
- ⑤ Power on indicator LED
- ⑥ Microphone Input jack

### RECEIVER

- ⑦ Battery charge jack
- ⑧ Frequency select switch
- ⑨ Power switch
- ⑩ AF Level Adjust
- ⑪ Power on indicator LED
- ⑫ Earphone Output jack

## BATTERY INSTALLATION

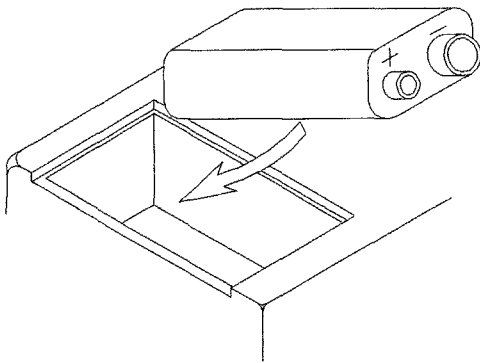


figure 1

The transmitter and receiver are both operated by a 006p.DE(6F22)9V fresh battery. Before use, Please insert the battery into the compartment of both transmitter and receiver as shown left (figure 1). Battery life with alkaline battery is approximately 6 hours of in-use time.

**Note:** The batteries must be removed immediately in case the LES-360T/LES-360R will not be used for a long period of time to avoid battery leakage.

## BATTERY CHARGE

The transmitter and receiver provided a function of battery recharge for NiCd batteries.

**Note:**

1. Check NiCd batteries (15F8K or equivalent) in the compartment of transmitter/receiver before charge.
2. Connect the supplied DC power adapter (9V/100mA) to the battery charge input jack
3. Plug the adapter into a wall socket or other AC power source.

## SPECIFICATIONS

### TRANSMITTER

- |   |                   |                           |
|---|-------------------|---------------------------|
| ① | Frequency         | 216.0125 - 216.9875 MHZ   |
| ② | Modulation        | Frequency Modulation      |
| ③ | RF Power          | < 50 mW                   |
| ④ | Power Source      | 006p.DE(6F22) 9V x1       |
| ⑤ | Power consumption | 40mA                      |
| ⑥ | LED indicator     | Power On                  |
| ⑦ | Dimension         | 104(H) x 62(W) x 24(D) mm |
| ⑧ | Weight            | 130 g (With battery)      |

### RECEIVER

- |   |                    |                              |
|---|--------------------|------------------------------|
| ① | Frequency          | 216.0125 - 216.9875 MHZ      |
| ② | Reception System   | FM Superheterodyne           |
| ③ | Reception Sens.    | 3 uV for 30 dB S/N ratio     |
| ④ | Audio output power | 100 mW (10% THD into 33 ohm) |
| ⑤ | Power Source       | 006p.DE(6F22) 9V x1          |
| ⑥ | Power consumption  | 100mA                        |
| ⑦ | LED indicator      | Power On                     |
| ⑧ | Dimension          | 104(H) x 62(W) x 24(D) mm    |
| ⑨ | Weight             | 130 g (With battery)         |

## **TRANSMITTER OPERATION**

- 1. Be sure the power switch to OFF positison**
- 2. instal the battery. Refer to BATTERY INSTALLATION**
- 3. Switch the channel selector switch to desired channel (A or B).**
- 4. Useing the belt clip on the back of the unit to clip the transmitter on the belt or or put it into the pocket**
- 5. Plug the lapel microphone into the microphone input jack**
- 6. Clip on the lapel microphone to your chest level such as in your necktie suit collar etc.. enabling you to get a clear transmission.**
- 7. Slide the power ON/OFF switch to ON position( the LED indicator will light on this mode)**

## **RECEIVER OPERATION**

- 1. Be sure the power switch to OFF positison**
- 2. instal the battery. Refer to BATTERY INSTALLATION**
- 3. Switch the channel selector switch to the same channel as transmitter.**
- 4. Useing the belt clip on the back of the unit to clip the receiver on the belt or or put it into the pocket**
- 5. Plug the earphone into the earphone output jack**
- 6. Slide the power ON/OFF switch to ON position( the LED indicator will light on this mode)**
- 7. Adjust AF level to proper level.**