

40.00

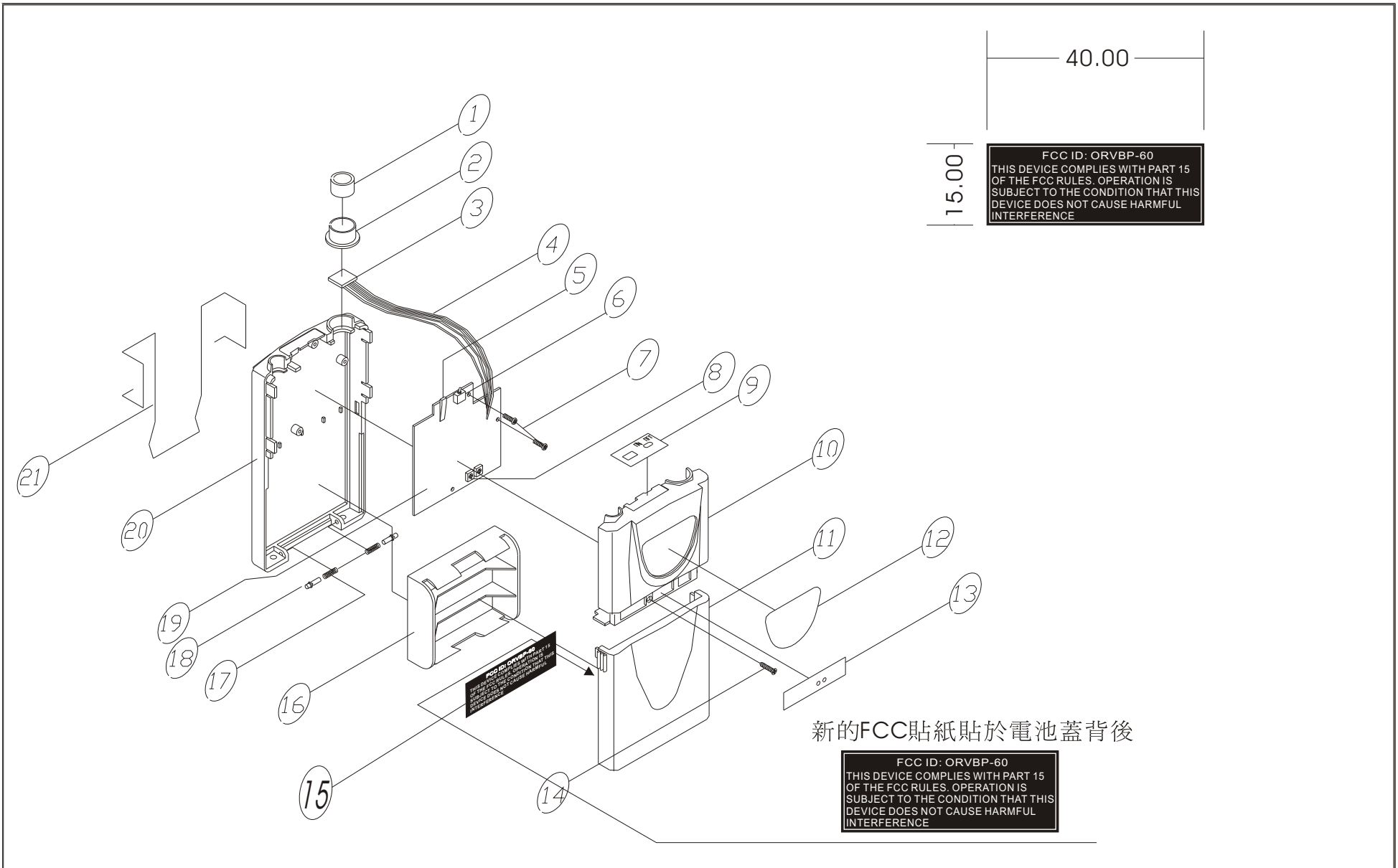
FCC ID: ORVBP-60  
 THIS DEVICE COMPLIES WITH PART 15  
 OF THE FCC RULES. OPERATION IS  
 SUBJECT TO THE CONDITION THAT THIS  
 DEVICE DOES NOT CAUSE HARMFUL  
 INTERFERENCE

15.00

FCC ID: ORVBP-60  
 THIS DEVICE COMPLIES WITH PART 15  
 OF THE FCC RULES. OPERATION IS  
 SUBJECT TO THE CONDITION THAT THIS  
 DEVICE DOES NOT CAUSE HARMFUL  
 INTERFERENCE

說明:  
 黑底白字

CO., LTD	CHIAYO	DRAWING NO.		DESCRIPTION		MATERIAL	DRAWING	TOLERANCE	BOUNDARY	1-4	4-16	16-63	63-250	250-1000	1000~
MODEL	FCC-CINBP-60	COMPUTER NO.		DATE	2002.01.21	QUANTITY			ALLOWANCE	0 .05	0 .07	0 .1	0 .2	0 .3	0 .5
REVERSION	A	DRAWN		APPROVED		WORKS	DRAWING								
						UNIT		SCALE		CHIAYO ELECTRONICS CO.,LTD.					



CO., LTD	CHIAYO	DRAWING NO.		DESCRIPTION		MATERIAL		TOLERANCE	BOUNDARY	1-4	4-16	16-63	63-250	250-1000	1000~
MODEL	BP-60	COMPUTER NO.		DATE	2002.01.21	QUANTITY	---		ALLOWANCE	±0.05	±0.07	±0.1	±0.2	±0.3	±0.5
REVERSION	A	DRAWN	HOU	APPROVED		WORKS	---		UNIT	mm	SCALE	...	<b>CHIAYO ELECTRONICS CO.,LTD.</b>		