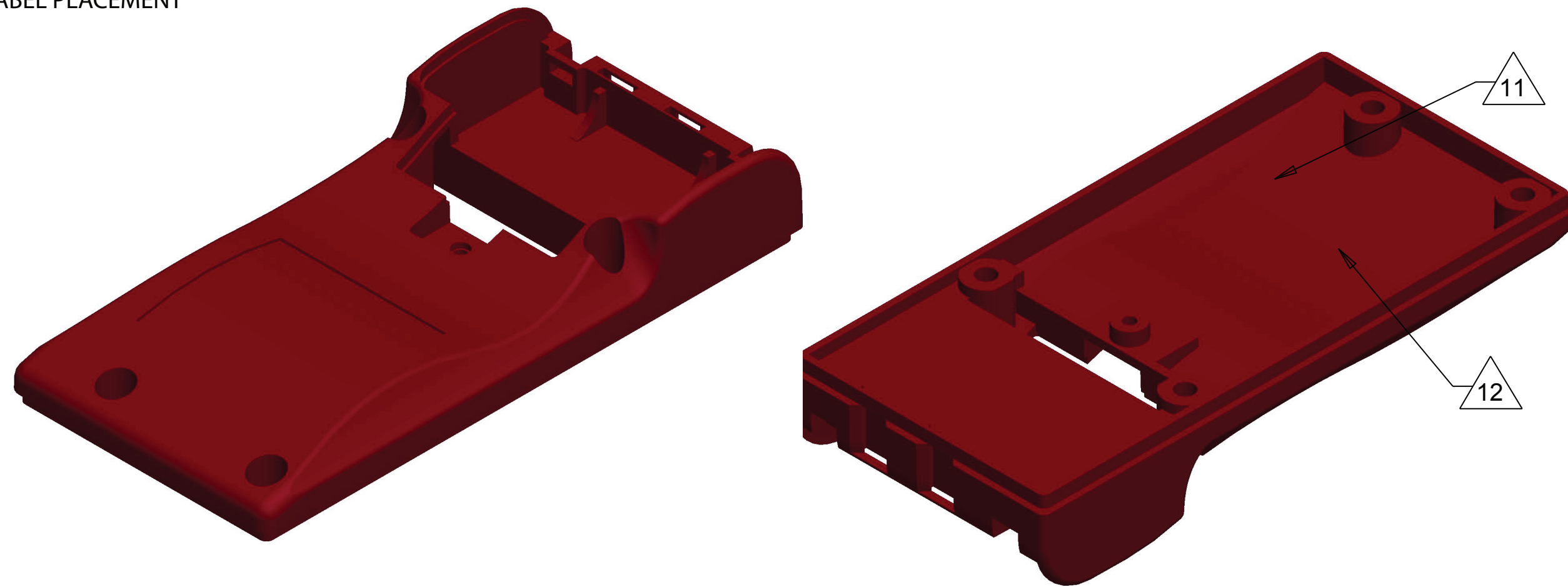


MODEL: FCHRC (FLEXCAT REMOTE)  
LABEL PLACEMENT



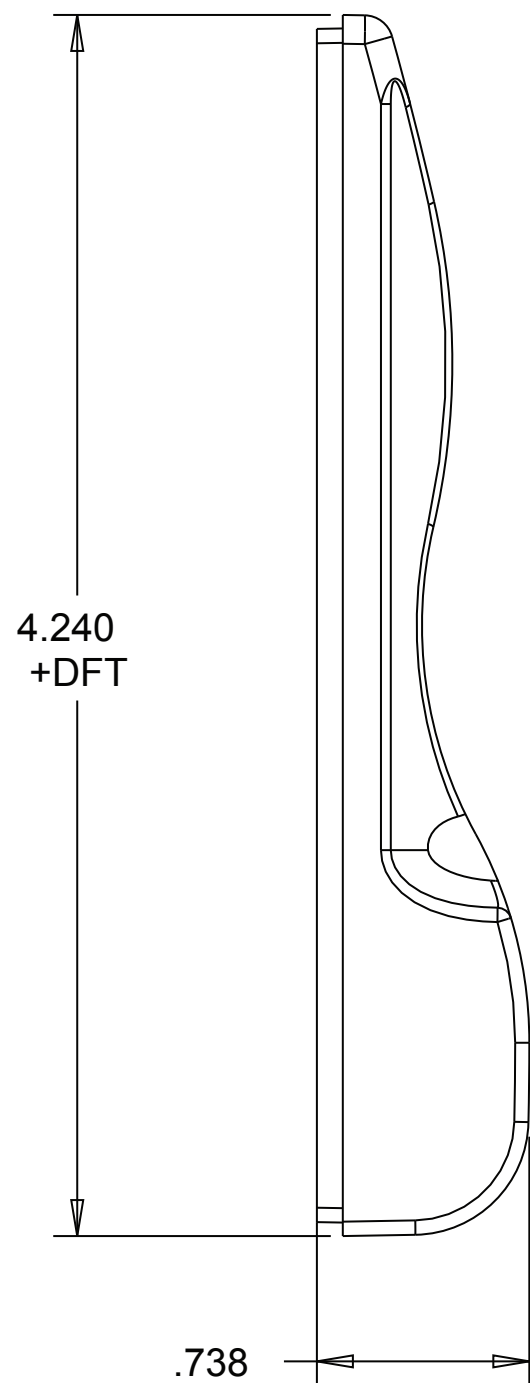
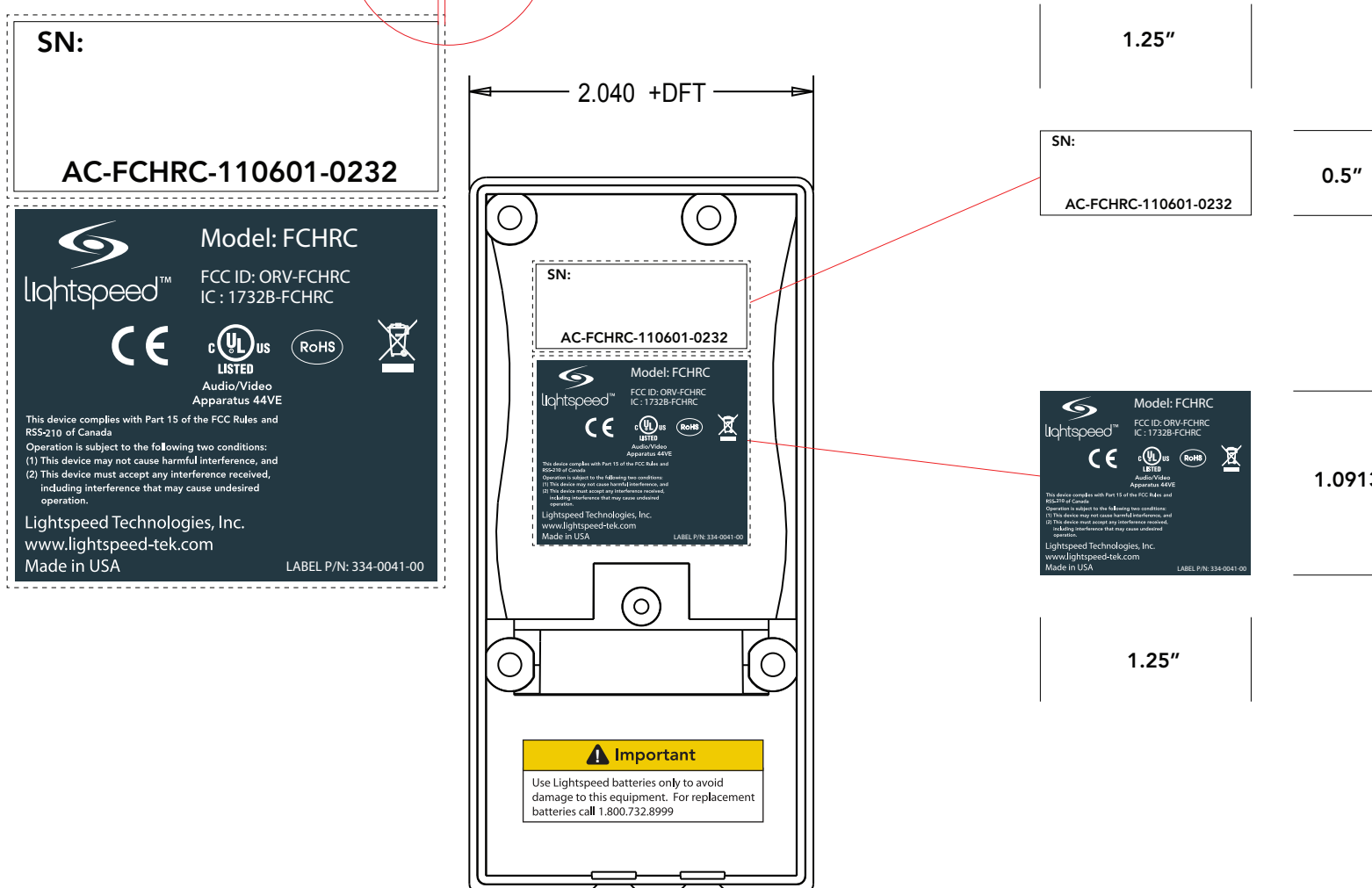
REV	REF	DESCRIPTION OF CHANGE	CHK BY	DATE

- 15. ALL OUTSIDE SURFACES: TEXTURE MOLD-TECH MT 11010
- 14. UL REQUIRED MARKINGS & DOCUMENTATION FOR SUBPARTS WITH UL REQUIREMENTS, MUST BE INCLUDED WITH EACH SHIPMENT.
- 13. PARTS MUST BE FABRICATED/MOLDED BY A UL RECOGNIZED FABRICATOR/MOLDER. MATERIAL AND PROCESS MUST BE UL RECOGNIZED.
- 12 MOLD REVISION DATE CODE AND REVISION NUMBER TO BE ENGRAVED IN THIS AREA.
- 11 PLASTIC RECYCLING CODE ">PC/ABS<" THIS AREA. RAISED/RECESSED TEXT HEIGHT .094 X .003/.006
- 10. ALL MATERIALS AND PROCESSES SHALL BE ROHS COMPLIANT
- 9. MOLD DESIGN TO BE APPROVED BY LIGHTSPEED INC.
- 8. COSMETIC GRADE B ALL SURFACES
- 7. UL 94 HB FLAME RATED
- 6. CORNERS AND FILLETS MODELED SHARP: R .005 MAX
- 5. SINK: .005MAX
- 4. FLASH: .008 MAX
- 3. EJECTOR MARKS: +.xxx/- .yyy MAX
- 2. DEGATE: +.008/- .008
- 1. DIMENSIONING AND TOLERANCING PER ASME Y14.5M - 1994


RECESS TO LABEL MEASUREMENT

0.002"

2:1



NOTES: UNLESS OTHERWISE SPECIFIED.

		LightSPEED Technologies, INC. 11509 SW HERMAN ROAD TUALATIN, OR 97062 USA	
RELEASED FOR PRODUCTION TOOLING		SIGNATURE	DATE
DWN TN	DIMENSIONS ARE IN INCHES TOLERANCES: UNLESS OTHERWISE SPECIFIED		± 0
ENGR TN	DEC ± .005	ANLR ±	
CHKR	SCALE	FIRST USED ON	
PROD	NONE	DAS	
MATERIAL PC/ABS - LIGHTSPEED BLACK			
FINISH SEE NOTES			
TITLE COVER, BOTTOM, DAS REMOTE			
CODE IDENT NO	SIZE	PART NUMBER	SH 1 OF 1 REV 01
	C	395-0041-00	

DO NOT SCALE DRAWING  
PTC



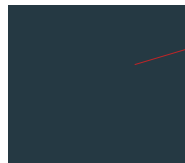
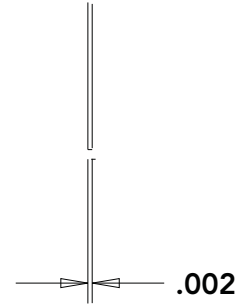
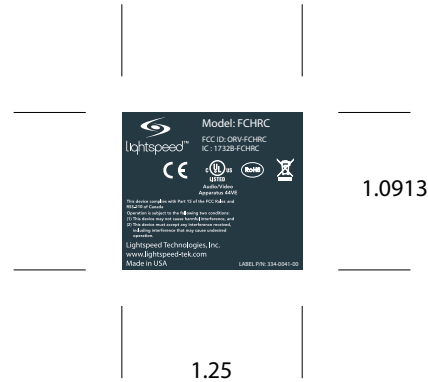
### Label Specification

Label P/N: 334-0041-00

Units: Inches

Date: 08/23/11

Dederick



Background Color to be:  
Pantone 327-2

#### MATERIAL:

POLYESTER

#### OVERLAY:

- GLOSS
- SEMI-GLOSS
- MATTE
- TEXTURED LEXAN

PANTONE 327-2 SWATCH



**LIGHTSPEED TECHNOLOGIES, INC.**  
[www.lightspeed-tek.com](http://www.lightspeed-tek.com)  
**800.732.8999**  
 334-0040-00\_FCHRC\_NAMEPLATE  
**LABEL SPECIFICATIONS**

LABEL PART:	334-0041-00
REVISION:	02
DATE:	8/23/2011
MATERIAL:	POLYESTER, GLOSS
ADHESIVE:	UL APPROVED
WIDTH:	1.250 INCHES
HEIGHT:	1.0913 INCHES
THICKNESS:	2 MIL
TOLERANCES:	0.002 INCH
COLORS:	PANTONE 327-2 BACKGROUND, WHITE TEXT
SUBSTRATES:	ABS
ENVIRONMENT:	INDOOR USE
APPLICATION:	SHEETS - APPLIED BY LIGHTSPEED
SERIALIZED:	NO
UL REQUIREMENTS:	UL APPROVED PROCESS FOR MAT/ADH
REGULATORY REQUIREMENTS:	UL, RoHS