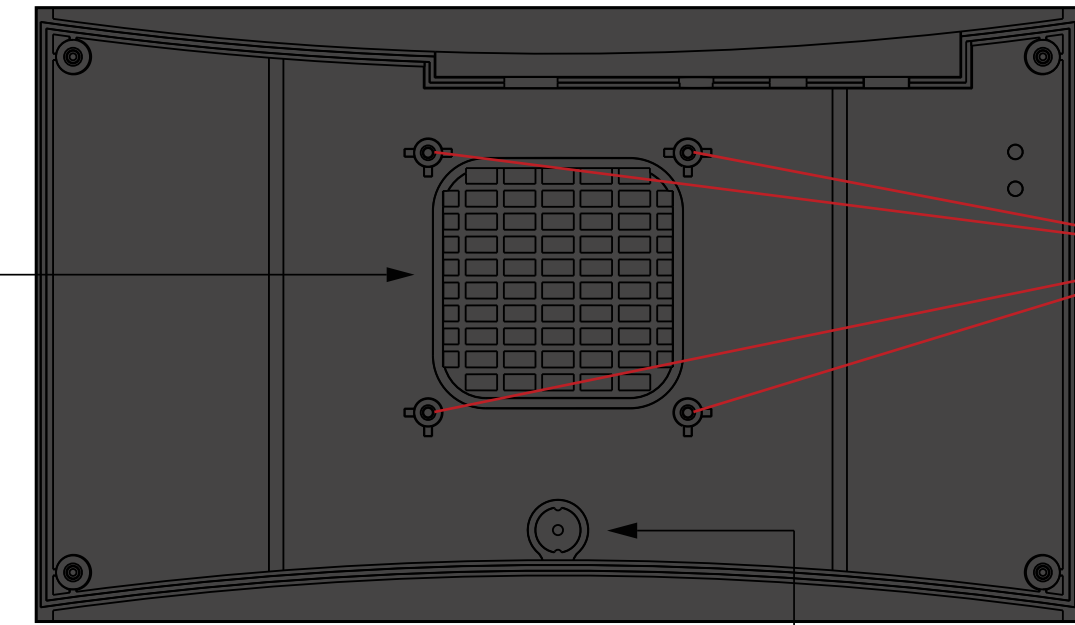
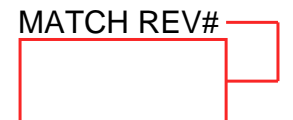
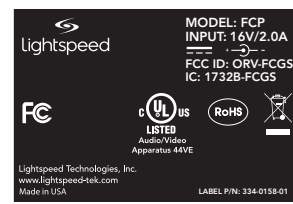
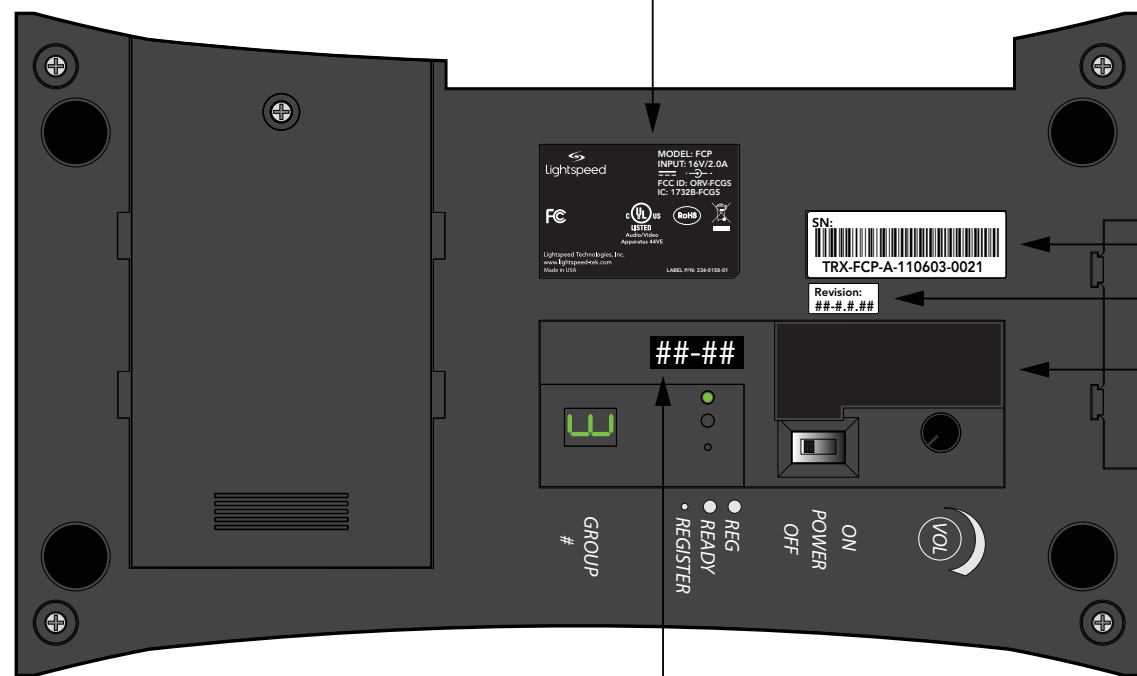
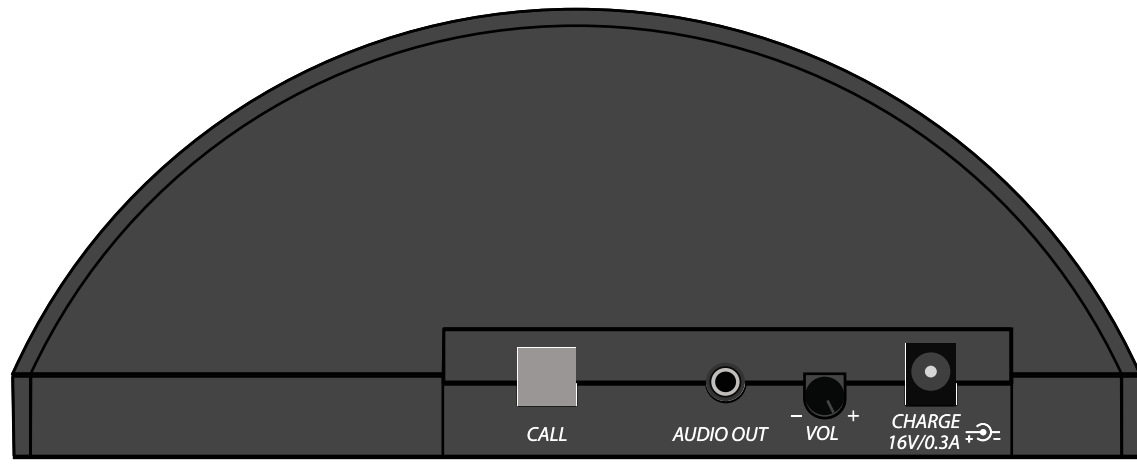


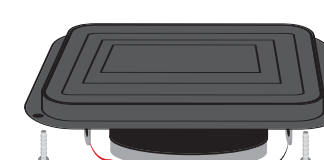
TRX-FCP-A ASSEMBLY DRAWING

TOOLED PARTS (NOT MACHINED)

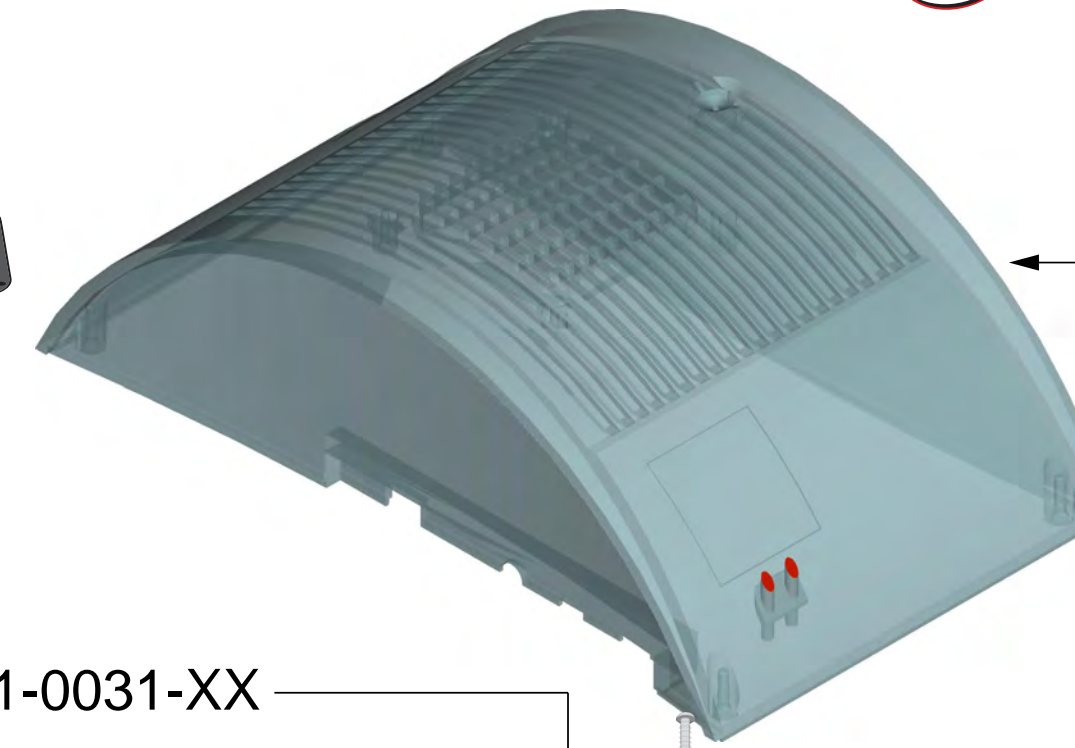
DOC REV	REF	DESCRIPTION OF CHANGE	CHK BY	DATE
A	ECR#584	RELEASE TO PRODUCTION	JD	01/14/2014



** PRIMER + ADHESIVE ON RUBBER MIC HOLDER

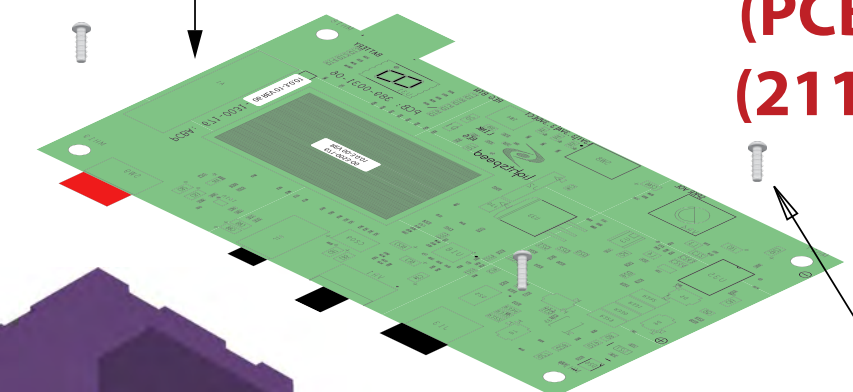


211-0011-XX (x4)

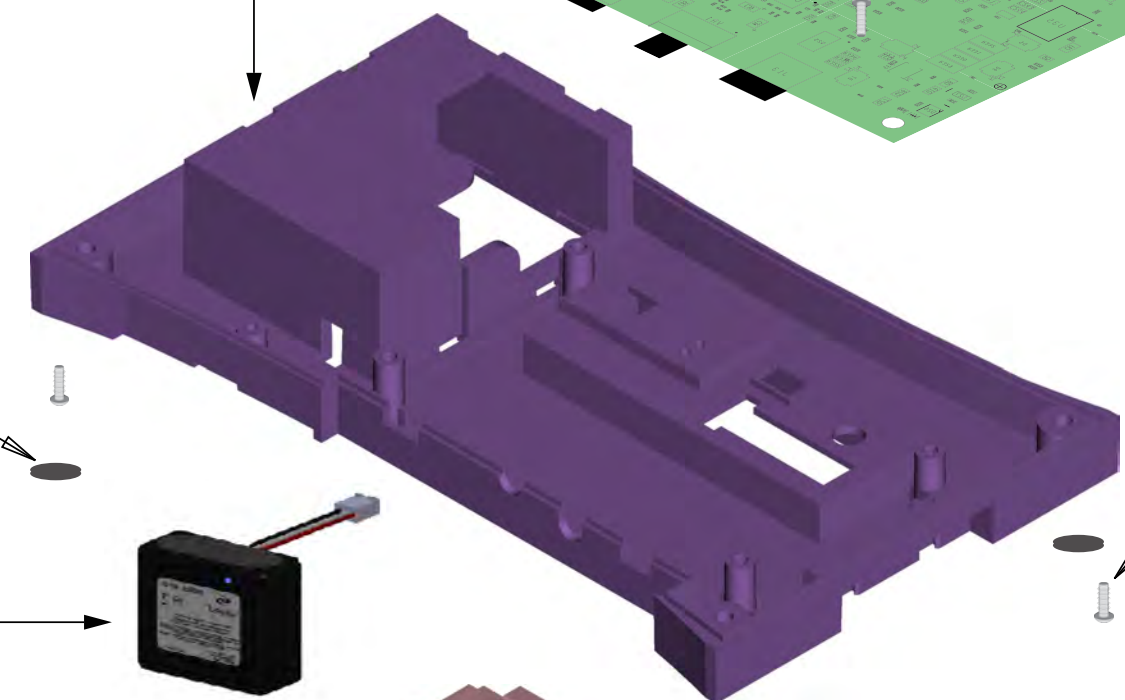


8 ft. lb Torque (PCBA & Case) (211-0012-XX)

671-0031-XX

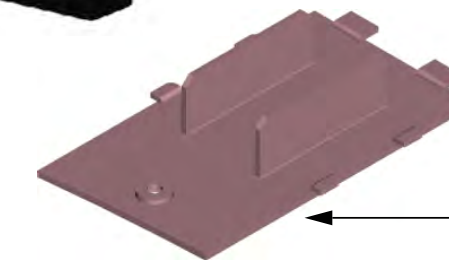


395-0035-01



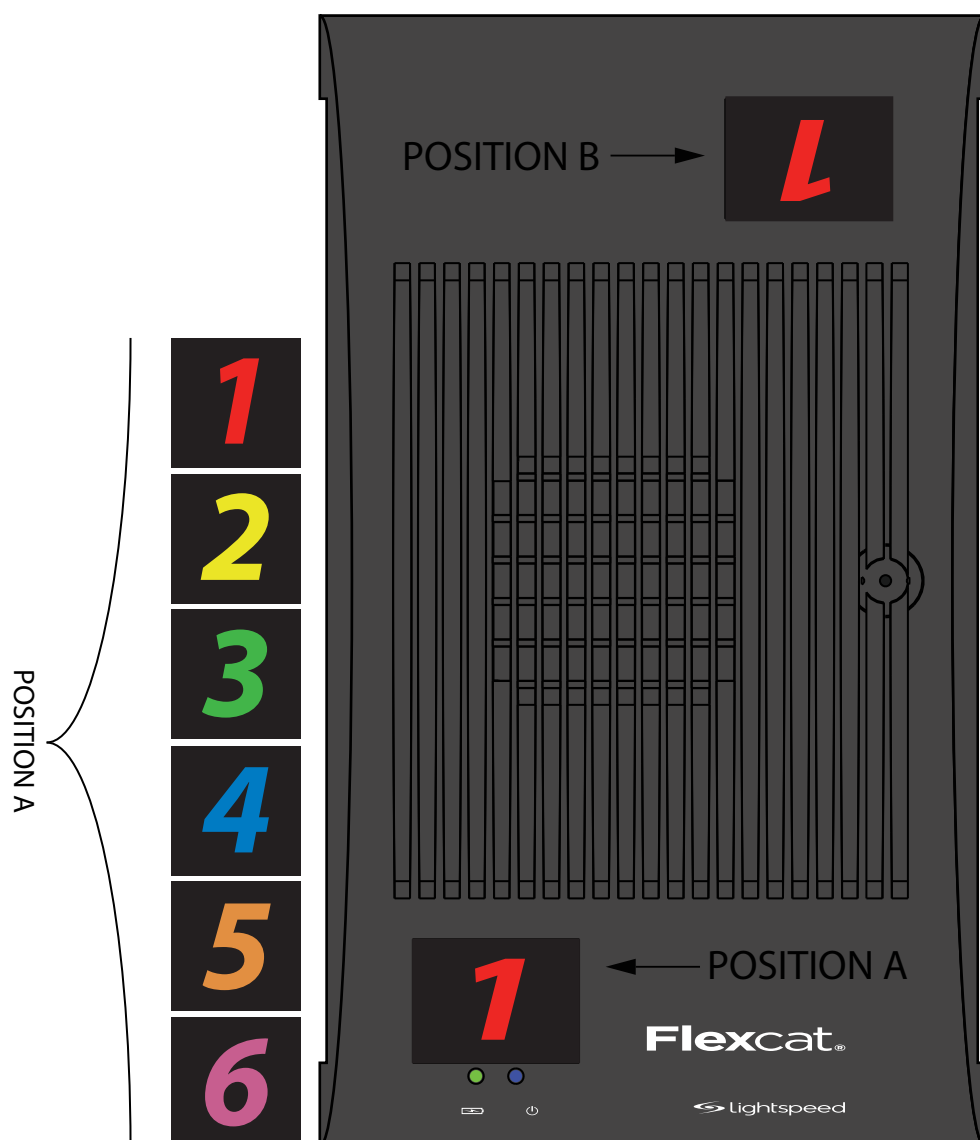
214-0005-XX (x4)

BA-NH6V



395-0043-XX

Do not use 395-0043-00 - use 01 or greater



POSITION A

POSITION B

334-0026-XX

PLACE MATCHING NUMBER SET IN POSITIONS SHOWN USING ORIENTATION SHOWN FOR POSITION A & B