

NVO/NWBC
Marko Puupponen

23.11.1999

Introduction

This document describes specifications for RF connector with a switch. (2789.99.0030.00')

Overall

Plug is inserted horizontally.
Lifetime: >1000 mating cycles.
Cable Mount Plug (2813.91.1310.02) is suitable for mating half.
Temperature range: -20...+80.

Switching operation

RF connector is used to connect the RF-path of transceiver between external and internal antenna. When external antenna is connected (plug is inserted), path to internal antenna is off. When plug is not inserted path to internal antenna is in use.

Electrical parameters

Frequency range up to 3 GHz.
Insertion loss max 0.5 dBm.
Isolation, Ext to Int min 20dB.
Return loss min 15 dB.
Power rating 1W.

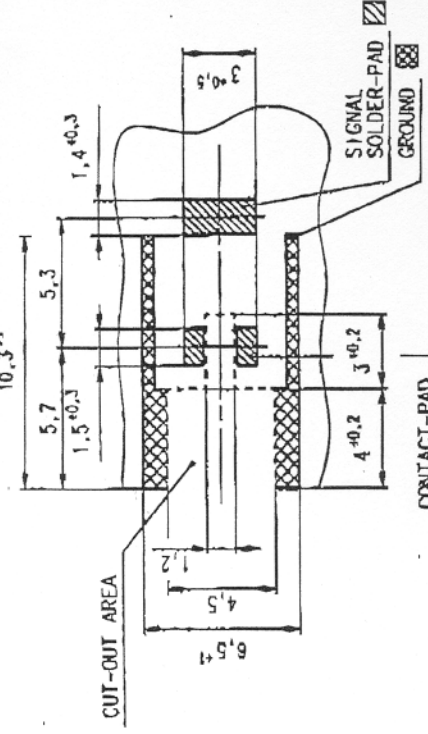
Soldering

Connector must be suitable for Nokia specified SMD process.

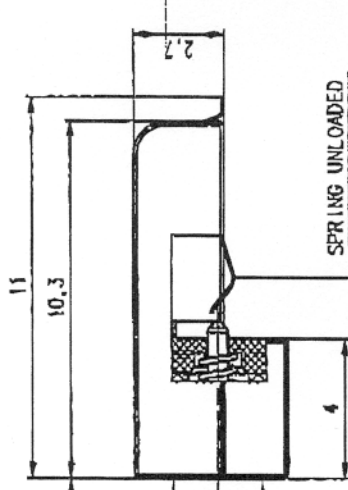
Mechanical dimensions

Dimension drawing: rev.B

PRELIMINARY
CONFIDENTIAL

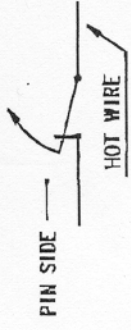


PCB / PAD-LAYOUT PROPOSAL
SCALE 5:1



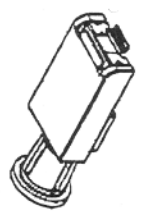
INTERFACE DIMENSION
APPROXIMATED TO IEC 60169-19.

SWITCH FUNCTION OF
FRONT VIEW:



MATERIAL AND FINISH:

HOUSING	GD-ZnAlCu1	2-3 $\mu\text{m Ni} + 0.2 \mu\text{m Au}$
INSULATOR	PEEK	
CONTACT-SPRING	CuBe2	TRIBOR
COMPRESSION-SPRING	DIN 2076-D	TRIBOR
OTHER METAL PARTS	CuZn	TRIBOR
SPRING LOADED CAP	PEEK	



		GENERAL TOLERANCE ISO 2768 mH	Masstab: 7:1
ENTWURF	REVISION	DATE	SCHALTER SWITCH
EXTRAHIER	REVISION	DATE	
nr.	Änderung	Datum	Rev. b
			2789.99.0030.001