

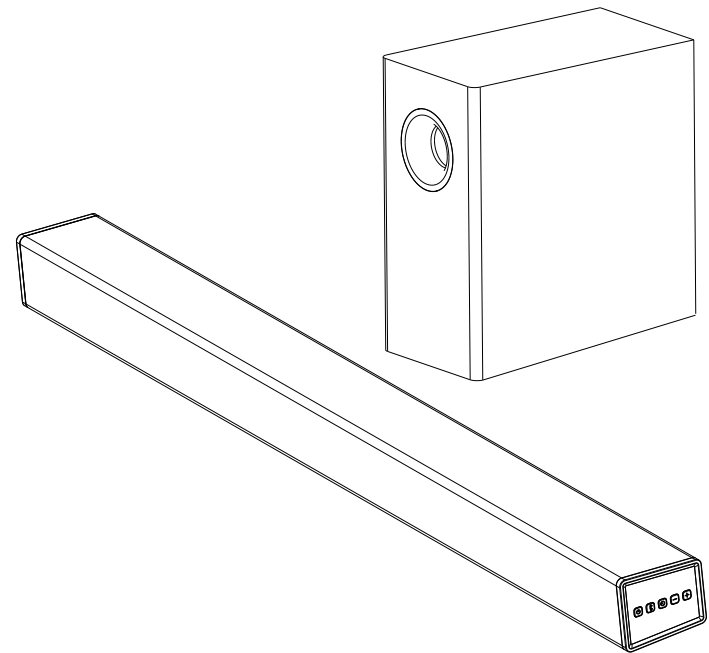
# microlab



microlab



[www.microlab-global.com](http://www.microlab-global.com)  
Microlab Electronics Co.,Ltd.  
Made in China



## Model No.:TM-100

## User Manual

Prior to initial use, please read the manual carefully

## Important Safety Instructions



WARNING: SHOCK HAZARD - DO NOT OPEN  
AVIS: RISQUE DE CHOC ÉLECTRIQUE - NE PAS OUVRIR

### Caution:

To reduce the risk of electric shock, do not dismantle the product and do not expose the apparatus to rain or moisture. No user-serviceable parts inside. Refer servicing to qualified personnel only.

### Explanation of Graphical Symbols:




The lightning flash within an equilateral triangle is intended to alert you to the presence of uninsulated dangerous voltage within the product's enclosure that may be of sufficient magnitude to constitute an electric shock to a person or persons.



The exclamation point within an equilateral triangle is intended to alert you to the presence of important operating and maintenance (servicing) instructions in the literature accompanying the product.

### WARNINGS:

1. **Read Instructions** - All the safety and operating instructions must be read before the product is operated.
2. **Retain Instructions** - The safety and operating instructions should be kept with the product for future reference.
3. **Heed warnings** - All warnings on the product and in the operating instructions should be adhered to.
4. **Follow instructions** - All operating and users' instructions should be followed.
5. **Installation** - Install in accordance with the manufacturers' instructions.
6. **Power sources** - This product should be operated only from the type of power source indicated by the marking adjacent to the power cord entry. If you are not sure of the type of power supply to your home, consult your product dealer or local power company.
7. **Grounding or polarization** - the product is not required to be grounded. Ensure the plug is fully inserted into the wall outlet or extension cord receptacle to prevent blade or pin exposure. Some versions of the product are equipped with a power cord fitted with a polarized alternating line plug (a plug having one blade wide than the other). This plug will fit onto the power outlet only one way. This is a safety feature. If you are unable to insert the plug fully into the outlet, try reversing the plug. If the plug should still fail to fit, contact your electrician to replace your obsolete outlet. Do not defeat the safety purpose of the polarized plug. When using an extension power-supply cord or a power-supply cord other than that supplied with the product, it should be fitted with the appropriate molded plugs and carry safety approval appropriate to the country of use.
8. **Power cord protection** - Power-supply cords should be routed so that they are not likely to be walked on, kinked or pinched by items placed on or against them, paying particular attention to cords from plugs, receptacles and the point where they exit from the appliance.
9. **Overloading** - Do not overload wall outlets, extension cords or multiple sockets, as this can result in a risk of fire or electric shock.
10. **Ventilation** - The product must be properly ventilated. Do not place the product on a bed, sofa, or other similar surface. Do not cover the product with any items such as tablecloths, newspapers, etc.  
il convient que l'aération ne soit pas gênée par l'obstruction des ouvertures d'aération par des objets tels que journaux, nappes, rideaux, etc.
11. **Heat** - The product should be situated away from heat sources such as radiators, heat registers, stoves, or other products including amplifiers that produce heat. No naked flame sources, such as lighted candles, should be placed on the apparatus.  
il convient de ne pas placer sur l'appareil de sources de flammes nues, telles que des bougies allumées.
12. **Water and moisture** - To reduce the risk of fire or electric shock, do not expose the product to rain, dripping, splashing or excessive moisture such as in a sauna or bathroom. Do not use this product near water, for example, near a bathtub, washbowl, kitchen sink, laundry tub, in a wet basement, or near a swimming pool, or etc.  
pour réduire le risque d'incendie ou de choc électrique, ne pas exposer cet appareil sous la pluie et l'humidité.
13. **Object and Liquid Entry** - Never push objects of any kind into this product through openings, as they may touch dangerous voltage points or short-circuit parts that could result in a fire or electric shock. Never spill liquid of any kind on the product. Do not place any object containing liquid on top of the product.
14. **Cleaning** - Unplug the product from the wall outlet before cleaning. The cabinet of the subwoofer may be cleaned by dusting with a dry cloth. If you wish to use an aerosol cleaning spray, do not spray directly on the cabinet; spray onto the cloth. Be careful not to damage the drive units.
15. **Attachments** - Do not use attachments not recommended by the product manufacturers, as they may cause hazards.
16. **Accessories** - Do not place this product on an unstable cart, stand, tripod, bracket or table. The product may fall, causing serious injury to a child or adult, and serious damage to the product. Use only with a cart, stand, tripod, bracket or table recommended by the manufacturer or sold with the product. Any mounting of the product should follow the manufacturers' instructions and should use a mounting 



Manufactured under license from Dolby Laboratories. Dolby, Dolby Audio, and the double-D symbol are trademarks of Dolby Laboratories.

17. **Moving the product** - A product and cart combination should be moved with care. Quick stops, excessive force and uneven surfaces may cause the product and cart combination to overturn.
18. **Unused periods** - The power cord of the appliance should be unplugged from the outlet during lightning storms or when the apparatus is left unused for a long period of time.
19. **Servicing** - Do not attempt to service this product yourself, as opening or removing covers may expose you to dangerous voltage or other hazards. Refer all servicing to qualified service personnel.
20. Please remove the power plug from the main power source or wall power source when not in use. When plugged in to a power source, the system is in standby mode, so the power is not entirely cut off.
21. **Replacement parts** - When replacement parts are required, ensure the service technician has used replacement parts specified by the manufacturer or have the same characteristics as the original part. Unauthorized substitutions may result in fire, electric shock or other hazards.
22. **Mains fuses** - For continued protection against fire hazard, use fuses only of the correct type and rating. The correct fuse specification for each voltage range is marked on the product.
23. Do not turn up the volume while listening to a section with very low level inputs or no audio signals. If you do, the speaker may be damaged when a peak level section is suddenly played.
24. The only means of completely disconnecting the product from the power supply is by removing the power cord from the wall outlet or the product. The wall outlet or the power cord entry to the product must remain freely accessible at all times while the product is in use.
25. Try to install the product near a wall socket or extension cord and shall be easily accessible.
26. The highest environmental temperature suitable for this product is 40°C.

Where the MAINS plug is used as the disconnect device, the disconnect device shall remain readily operable.--lorsque la prise du RESEAU D'ALIMENTATION sur l'appareil est utilisée comme appareil de déconnexion, cet appareil doit demeurer aisément accessible. minimum distances 10cm around the apparatus for sufficient ventilation--distance minimale 10cm autour de l'appareil pour une aération suffisante attention should be drawn to the environmental aspects of battery disposal;-- il convient d'attirer l'attention sur les problèmes d'environnement dus à la mise au déchet des piles; the use of apparatus in moderate climates-- si l'appareil est destiné à être utilisé sous un climat tempéré et the apparatus shall not be exposed to dripping or splashing and that no objects filled with liquids, such as vases, shall be placed on the apparatus.-- l'appareil ne doit pas être exposé à des égouttements d'eau ou des éclaboussures et de plus qu'aucun objet rempli de liquide tel que des vases ne doit être placé sur l'appareil. batteries (battery pack or batteries installed) shall not be exposed to excessive heat such as sunshine, fire or the like.-- les batteries (bloc de batteries ou batteries installées) ne doivent pas être exposées à une chaleur excessive telle que celle du soleil, d'un feu ou d'origine similaire. Caution Marking and rating plate was located at rear enclosure of the apparatus.-- Les marquages sont inscrits en arrière de l'appareil. Les précautions d'emploi sont inscrites en arrière de l'appareil. Excessive sound pressure from earphones and headphone can cause hearing loss.-- Des pressions acoustiques excessives provenant d'écouteurs ou de casques peuvent provoquer des pertes de l'audition.

#### WARNING

Do not ingest the battery, Chemical Burn Hazard  
(The remote control supplied with) This product contains a coin/button cell battery. If the coin/button cell battery is swallowed, it can cause severe internal burns in just 2 hours and can lead to death.  
Keep new and used batteries away from children.  
If the battery compartment does not close securely, stop using the product and keep it away from children.  
If you think batteries might have been swallowed or placed inside any part of the body, seek immediate medical attention.

#### AVERTISSEMENT

Ne pas ingérer la pile, Danger de brûlure chimique  
(La télécommande fournie avec) Ce produit contient une pile bouton. Si la pile bouton est avalée, elle peut provoquer de graves brûlures internes en 2 heures seulement et peut entraîner la mort.  
Conserver les piles neuves et usées hors de portée des enfants.  
Si le compartiment pile ne se ferme pas correctement, cesser d'utiliser le produit et tenir hors de portée des enfants.  
En cas de doute concernant le fait que les piles pourraient avoir été avalées ou introduites dans une partie quelconque du corps, consulter immédiatement un médecin.

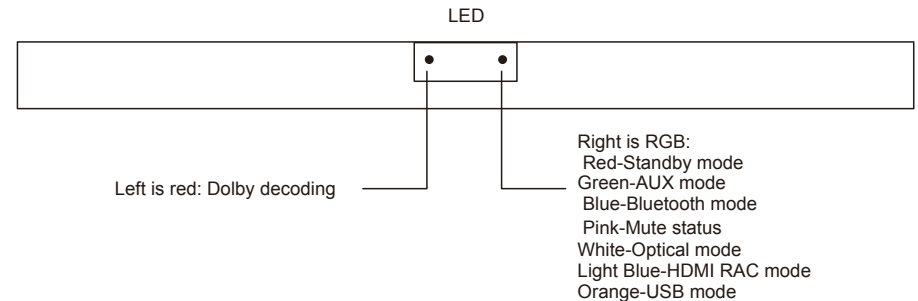
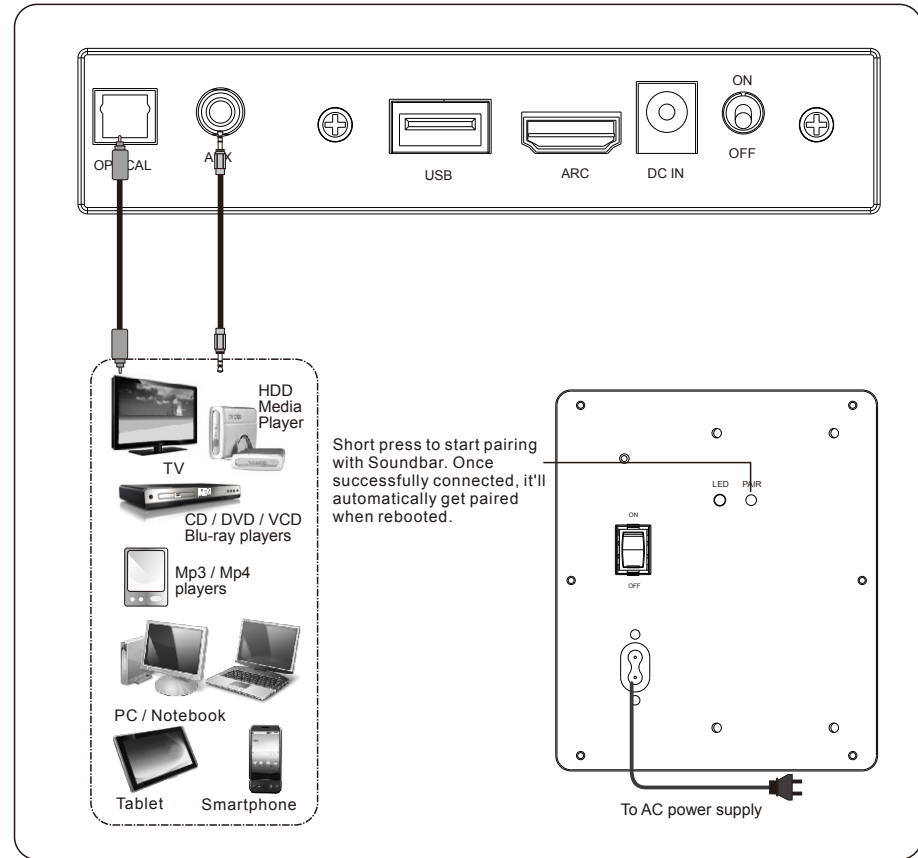
This device complies with Industry Canada licence-exempt RSS standard(s). Operation is subject to the following two conditions: (1) this device may not cause interference, and (2) this device must accept any interference, including interference that may cause undesired operation of the device.

Le présent appareil est conforme aux CNR d'Industrie Canada applicables aux appareils radio exempts de licence. L'exploitation est autorisée aux deux conditions suivantes : (1) l'appareil ne doit pas produire de brouillage, et (2) l'utilisateur de l'appareil doit accepter tout brouillage radioélectrique subi, même si le brouillage est susceptible d'en compromettre le fonctionnement.

The device has been evaluated to meet general RF exposure requirement. To maintain compliance with RSS-102 — Radio Frequency (RF) Exposure guidelines, this equipment should be installed and operated with a minimum distance of 20cm between the radiator and your body.

le dispositif de a été évalué à répondre général rf exposition exigence. pour maintenir la conformité avec les directives d'exposition du RSS-102-Radio Fréquence (RF). ce matériel doit être installé et exploité à une distance minimale de 20 cm entre le radiateur et votre corps.

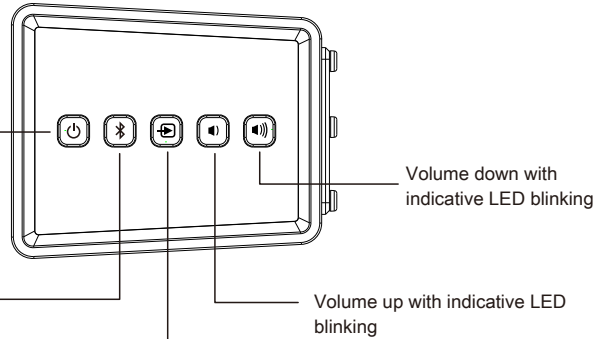
## Illustrations



## Connections and Operations

Plug in the soundbar and subwoofer, release ST-BY mode, subwoofer blinks blue and pairs to soundbar. After successfully connected, blue light illuminates. Select any input mode to play.

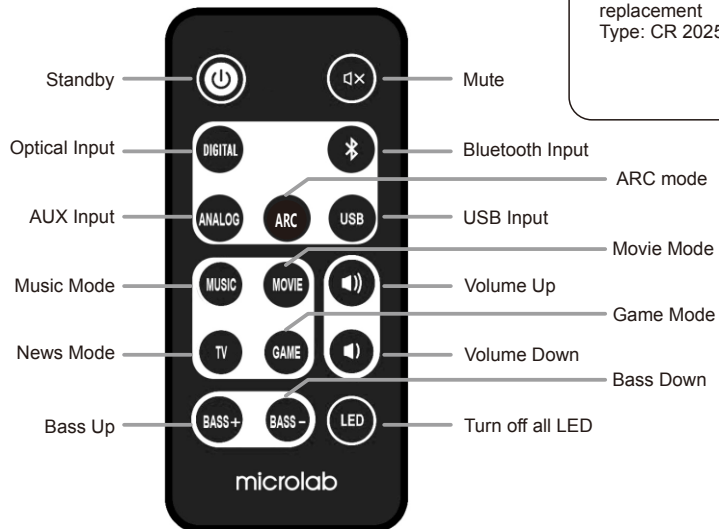
After power on, it defaults to ST-BY mode. Short press ST-BY to enter AUX mode, the second press to mute, another press to re-enter AUX mode. Long press ST-BY 3 seconds to enter ST-BY mode



Short press to select input modes; long press to enter remote control learning status.

- Long press up to 5 seconds
- Indicative LED blinks, enter learning status.
- Press any button on soundbar to start learning.
- Indicative LED turns off.
- Press the button on the remote control you want it to learn.
- Indicative LED blinks 3 times, it's learned successfully.
- Repeat A-F to learn other buttons

## Remote Control Function



Battery installation and replacement  
Type: CR 2025



## Technical Specification

### Amplifier

Output power, RMS	80 Watt RMS
Power distribution, Watt	15Watt x 2 + 50Watt
Harmonic distortion	< 0.5% 1 W 1 kHz
Frequency response	30 Hz - 20 kHz
Signal/Noise ratio, dB	> 80 dB
Separation, dB	> 45 dB

## Frequently Asked Questions (FAQs)

Questions	Solutions
Power LED won't light up	Check if the system is powered on Check that the power plug is well connected
No Sound	Check that the audio source is working well Check that the audio and speaker cables are well connected Check if the volume is at right level
One or more satellite no sound	Check if the satellite cable is well connected, and ensure source connection is correctly inserted
Static sound heard when volume knob is turned	Turn off the playback source first, then turn the speaker volume knob several times. Playback again and monitor. The static noise is usually due to dust, so simply turning the volume will remove it easily.
What are the products supported?	Any playback devices such as smartphone, tablet, PC, notebook, CD/DVD player, media players with 3.5mm stereo plug.
Sound is distorted	Check that the source file is not corrupted, play a different song to test. Ensure music file is of 192 kbps bitrate or higher.
If the problem still exists, please contact the distributor or seek professional advice.	

## Packing list

You should find the following items while unpacking:

Speakers	2 pcs
Remote control	1 pc
3.5 mm stereo - 3.5 mm stereo	1 pc
User manual	1 pc
Warranty card	1 pc
Adaptor	1 pc
Battery	1 pc
Power Cable	1 pc
Mounting Bracket	2 pcs
Screw Anchor	2 pcs
Mounting Screw	2 pcs
Bracket Screw	8 pcs
rubber pad	4 pcs

# FCC Warning

This device complies with part 15 of the FCC Rules. Operation is subject to the following two conditions: (1) This device may not cause harmful interference, and (2) this device must accept any interference received, including interference that may cause undesired operation.

Note: This equipment has been tested and found to comply with the limits for a Class B digital device, pursuant to part 15 of the FCC Rules. These limits are designed to provide reasonable protection against harmful interference in a residential installation. This equipment generates, uses and can radiate radio frequency energy and, if not installed and used in accordance with the instructions, may cause harmful interference to radio communications. However, there is no guarantee that interference will not occur in a particular installation. If this equipment does cause harmful interference to radio or television reception, which can be determined by turning the equipment off and on, the user is encouraged to try to correct the interference by one or more of the following measures:

- Reorient or relocate the receiving antenna.
- Increase the separation between the equipment and receiver.
- Connect the equipment into an outlet on a circuit different from that to which the receiver is connected.
- Consult the dealer or an experienced radio/TV technician for help.

Note: The Grantee is not responsible for any changes or modifications not expressly approved by the party responsible for compliance. Such modifications could void the user's authority to operate the equipment.

The device has been evaluated to meet general RF exposure requirement.

To maintain compliance with FCC's RF exposure guidelines, the distance must be at least 20 cm between the radiator and your body, and fully supported by the operating and installation configurations of transmitter and its antenna(s).