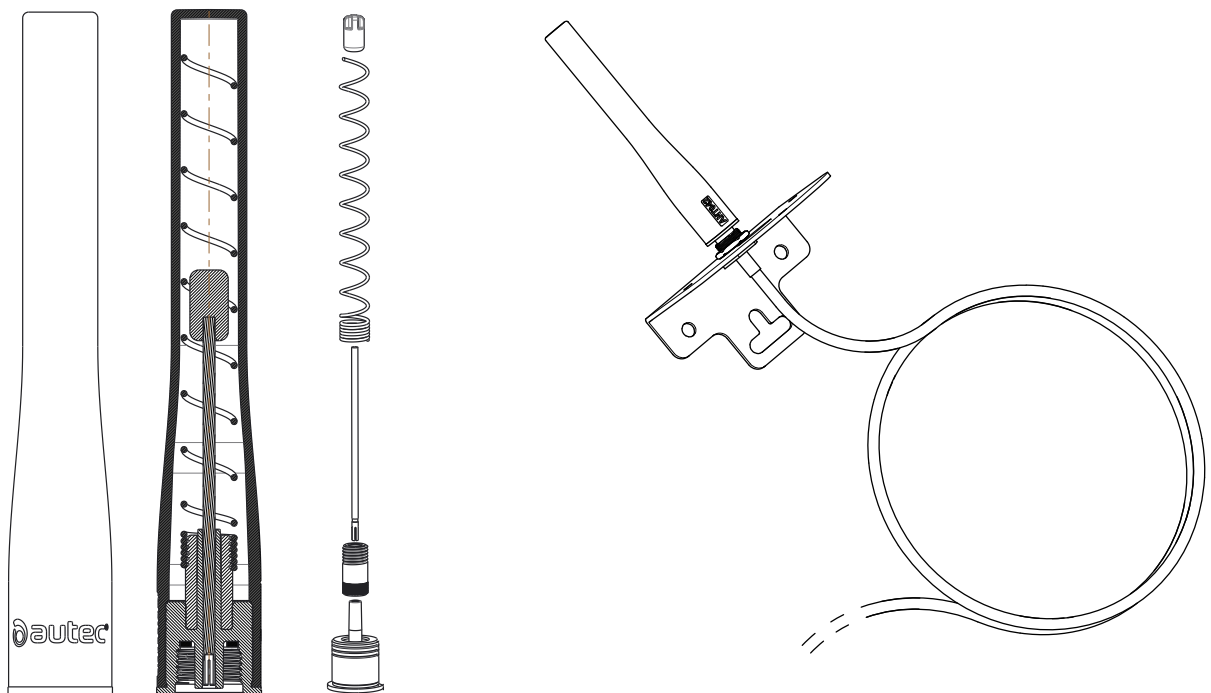


# External antenna ANT042 description

<b>Model</b>	ANT042
<b>Equipment</b>	External antenna
<b>Manufacturer</b>	AUTEC srl Via Pomaroli, 65 36030 CALDOGNO (VI)

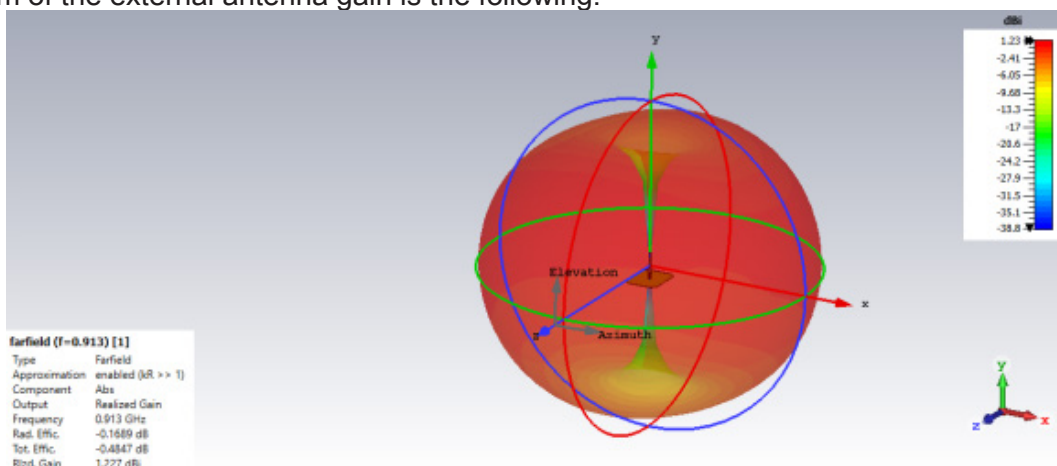
The external antenna ANT042 is a transducer designed to transmit and receive electromagnetic waves. It can be used in Autec equipment and it operates in 870-928MHz frequency band.

The antenna can be directly connected to the equipment or it can be remoted with a RG58 cable provided by Autec.



## 1. Characteristics of the antenna

The diagram of the external antenna gain is the following:



By simulation, as this diagram reports, the realized gain of the antenna is 1.227dBi and the System Total efficiency is -0.4847dB.