





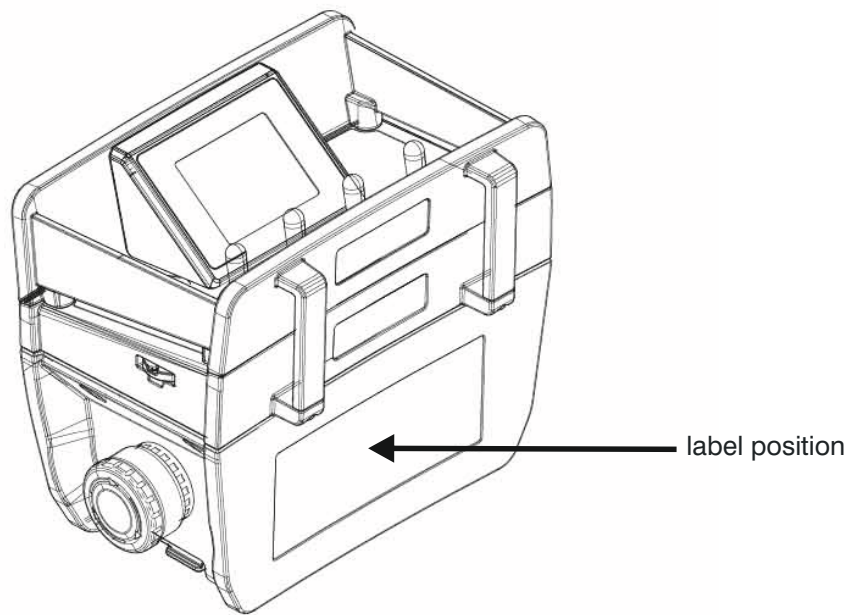
<b>MODEL: SK8 TYPE NA5QH</b>		<b>SK8B</b>
BATTERY	LPM02 (7.4V)	
	MBM06MH (7.2V)	<b>IC: 9061A-SK8NA5QH</b> <b>FCC ID: OQA-SK8NA5QH</b>
RADIO MODULE	AIRTR42FH	
PROTECTION DEGREE	IP65	
FREQUENCY RANGE	863-870MHz	
RF POWER	<25mW ERP	
FREQUENCY RANGE	915-928MHz	
RF POWER	<50mW ERP	

AUTEC Srl  
 Via Pomaroli, 65 - 36030 Caldogno (VI) - Italy

TA1536-02

Model SK8 Type NA5QH label



Label position