

Antenna Description for Model J7A Type NZ2QH

Model	J7A
Type	NZ2QH
Equipment	remote control transmitting unit
Antenna	ANT039
Manufacturer	AUTEC srl Via Pomaroli, 65 I-36030 CALDOGNO (VI)

2. ANT039 antenna characteristics

The ANT039 is a transducer designed to transmit and receive electromagnetic waves also called antenna. The ANT039 can operate 915-928MHz frequencies band.

Its schematic diagram is sch_ANT039.pdf (see the attached file).

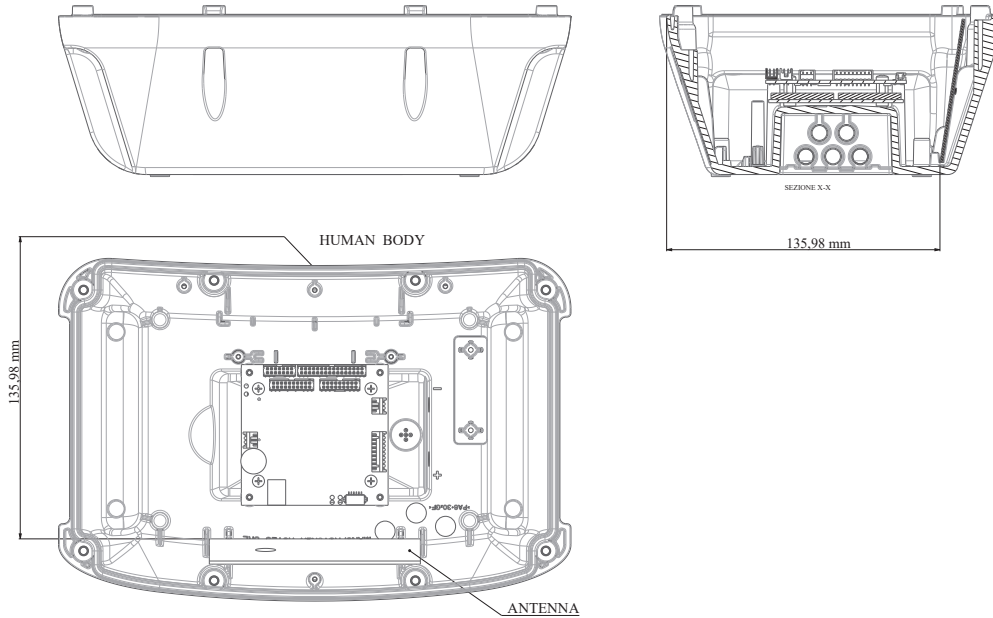
Used frequency band	915 - 928 MHz* Frequency hopping spread spectrum
Antenna type	internal
Antenna gain	<2dBi

* There are 4 groups selected inside the 256 channels available: group A, group B, group C, group D (see "j7a_nz2qh_operational_description-rev0")

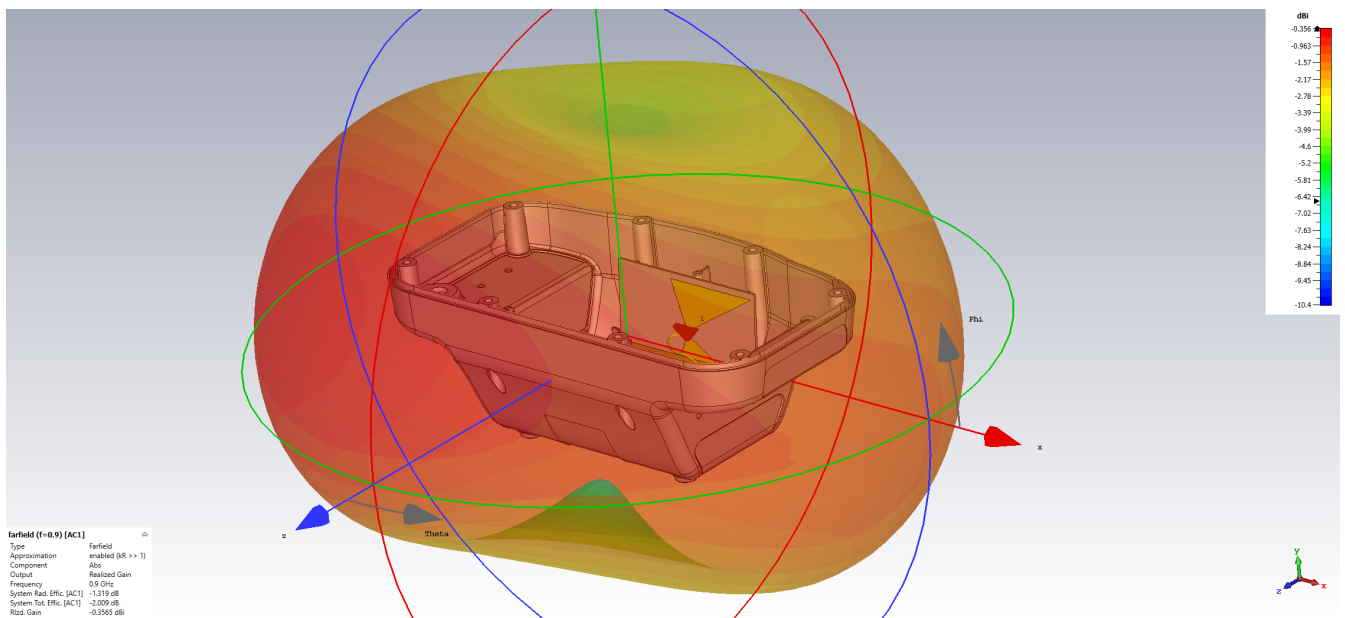
3. Antenna position

Antenna is integrated inside the cabinet.

The position in the following drawing demonstrates that the antenna has a distance longer than 20mm from the body of the operator.



4. Antenna gain



By simulation, as this diagram reports, the realized gain of the antenna is -0.3565dBi and the System Total efficiency is -2.009dB.