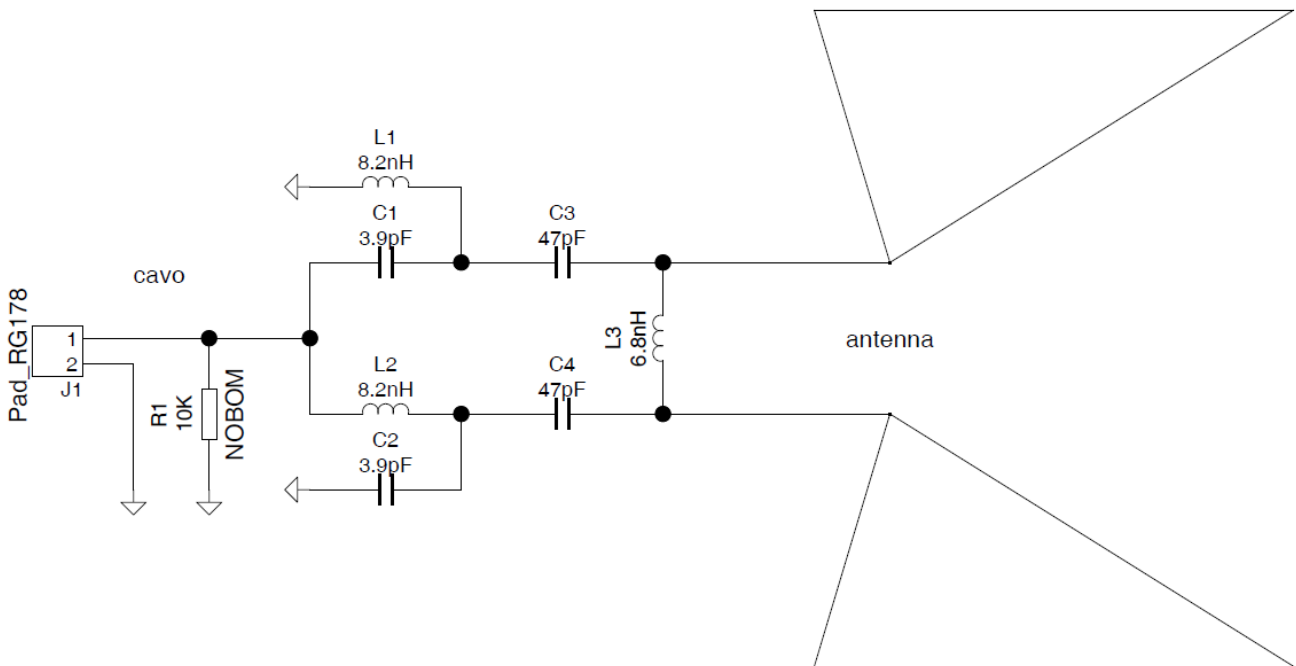


ANT039-00

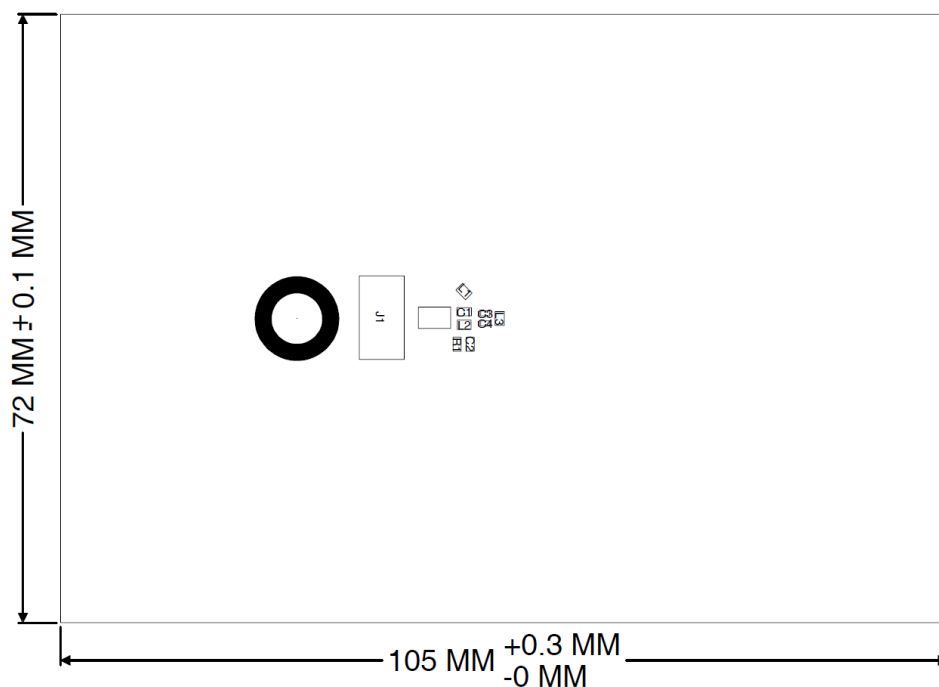
The ANT039 antenna is a transducer designed to transmit and receive electromagnetic waves. It can be used in Autec remote stations and it operates in 870-915MHz frequency band.

It is a wide band dipole realized on PCB (printed circuit board). It is connected with a coaxial cable to the RF output of a radio module through a balun circuit which preserves the symmetry of currents between the two branches of the dipole.

The ANT039 antenna has the following schematic diagram:

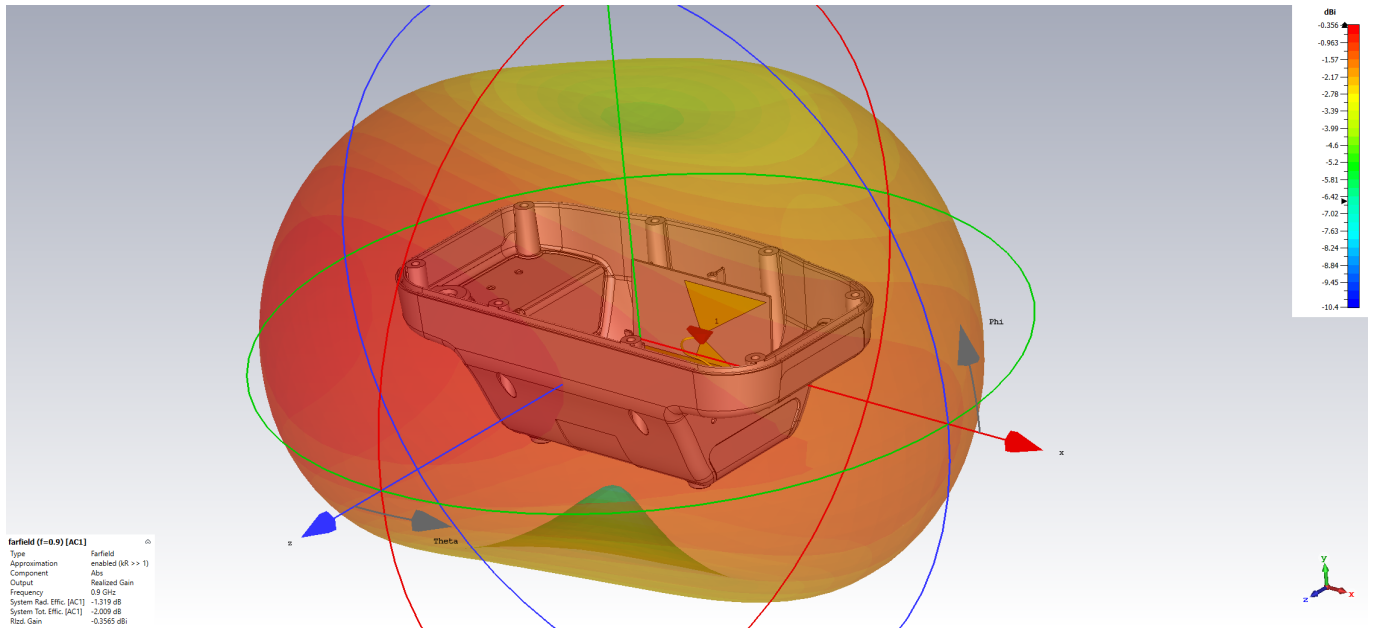


LAYOUT TOP



The antenna characteristics is affected by the plastic material nearby it. All the Autec remote stations that use this type of antenna share the same antenna position so as to guarantee the same characteristic of it.

Following an example of the resulting gain:



By simulation, as this diagram reports, the realized gain of the antenna is -0.3565dBi and the System Total efficiency is -2.01dB.