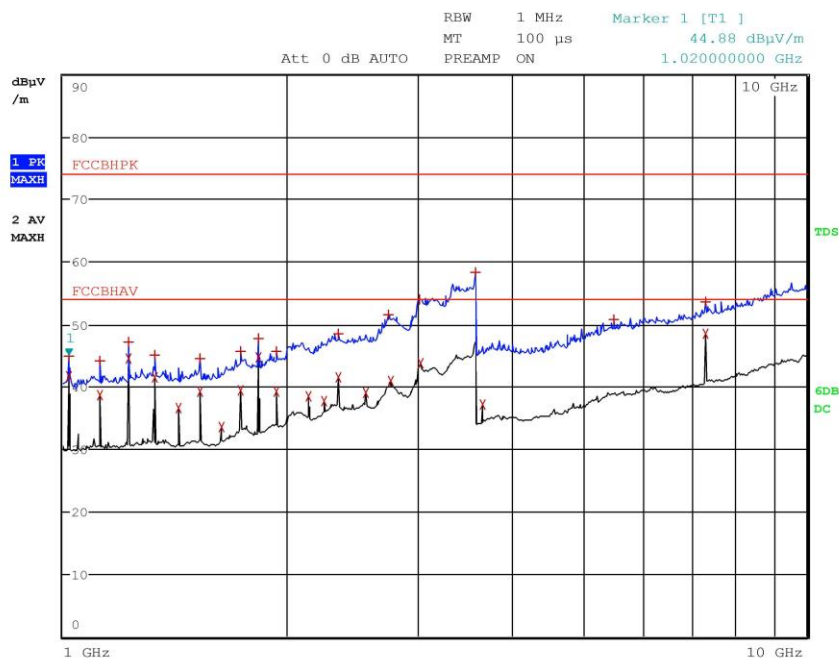




**Meas Type** Emission 3m  
**Equipment under Test**  
**Manufacturer**  
**OP Condition**  
**Operator** Bertezolo 17049123  
**Test Spec**





**Meas Type** Emission 3m  
**Equipment under Test**  
**Manufacturer**  
**OP Condition**  
**Operator** Bertezolo 17049123  
**Test Spec**

**Final Measurement**

Meas Time: 100 ms  
 Margin: 20 dB  
 Peaks: 32

Trace	Frequency	Level (dBµV/m)	Detector	Delta Limit/dB
2	1.020000000 GHz	41.71	Average	-12.27
1	1.020000000 GHz	44.88	Max Peak	-29.10
2	1.122000000 GHz	38.67	Average	-15.31
1	1.122400000 GHz	44.14	Max Peak	-29.84
2	1.224000000 GHz	44.46	Average	-9.52
1	1.224000000 GHz	47.23	Max Peak	-26.75
2	1.326000000 GHz	41.50	Average	-12.48
1	1.326000000 GHz	45.18	Max Peak	-28.80
2	1.428000000 GHz	36.68	Average	-17.30
2	1.530000000 GHz	39.17	Average	-14.81
1	1.530000000 GHz	44.46	Max Peak	-29.52
2	1.632000000 GHz	33.62	Average	-20.36
2	1.734000000 GHz	39.41	Average	-14.57
1	1.734000000 GHz	45.64	Max Peak	-28.34
1	1.830000000 GHz	47.73	Max Peak	-26.25
2	1.830000000 GHz	44.70	Average	-9.28
1	1.938000000 GHz	45.70	Max Peak	-28.28
2	1.938000000 GHz	39.26	Average	-14.72
2	2.142000000 GHz	38.56	Average	-15.42
2	2.244000000 GHz	37.77	Average	-16.21
1	2.345600000 GHz	48.42	Max Peak	-25.56
2	2.346000000 GHz	41.51	Average	-12.47
2	2.550000000 GHz	39.02	Average	-14.96
1	2.740400000 GHz	51.59	Max Peak	-22.39
2	2.754400000 GHz	40.94	Average	-13.04
1	3.015200000 GHz	54.00	Max Peak	-19.98
2	3.021600000 GHz	43.68	Average	-10.30
1	3.600000000 GHz	58.28	Max Peak	-15.70
2	3.660000000 GHz	37.19	Average	-16.79
1	5.506400000 GHz	50.81	Max Peak	-23.17
1	7.320400000 GHz	53.66	Max Peak	-20.32
2	7.320400000 GHz	48.45	Average	-5.53

**Result:** The requirements are met

CMC Centro Misure Compatibilità S.r.l.



### 11.3 20 dB bandwidth

#### Test set-up and execution

- FCC Rules and Regulation; Titles 47 Part 15.247
- DA 00-705
- Internal procedure PM001
- See clause 4 of this test report

#### Test configuration and test method

*Test site:*  
 Laboratory

*Auxiliary equipment:*  
 See clause 4 of this test report

#### EUT exercising

See clause 4 of this test report

#### Test equipment used

CMC S108, CMC S136, CMC S227  
 Measurement uncertainty: See clause 7 of this test report

#### Test specification

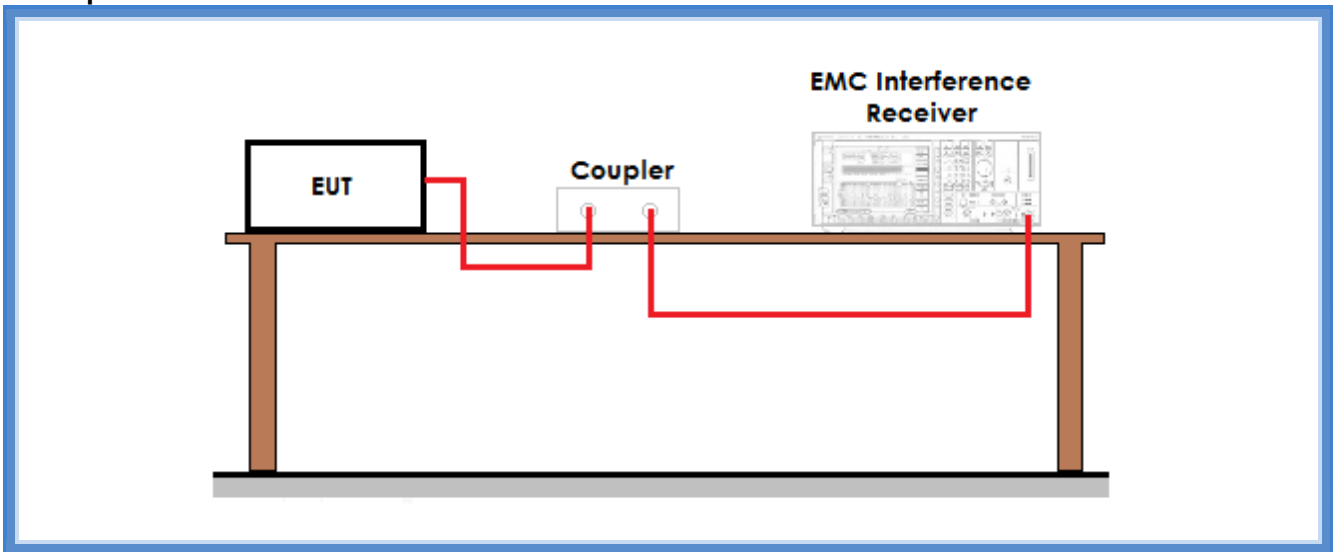
See FCC Part 15.247

#### Environmental conditions

<i>Temperature (°C)</i>	<i>Atmospheric pressure (kPa)</i>	<i>Relative humidity (%)</i>
22	100	45

**Acceptance limits:** The maximum allowed 20 dB bandwidth of the hopping channel is 500 kHz

### Setup



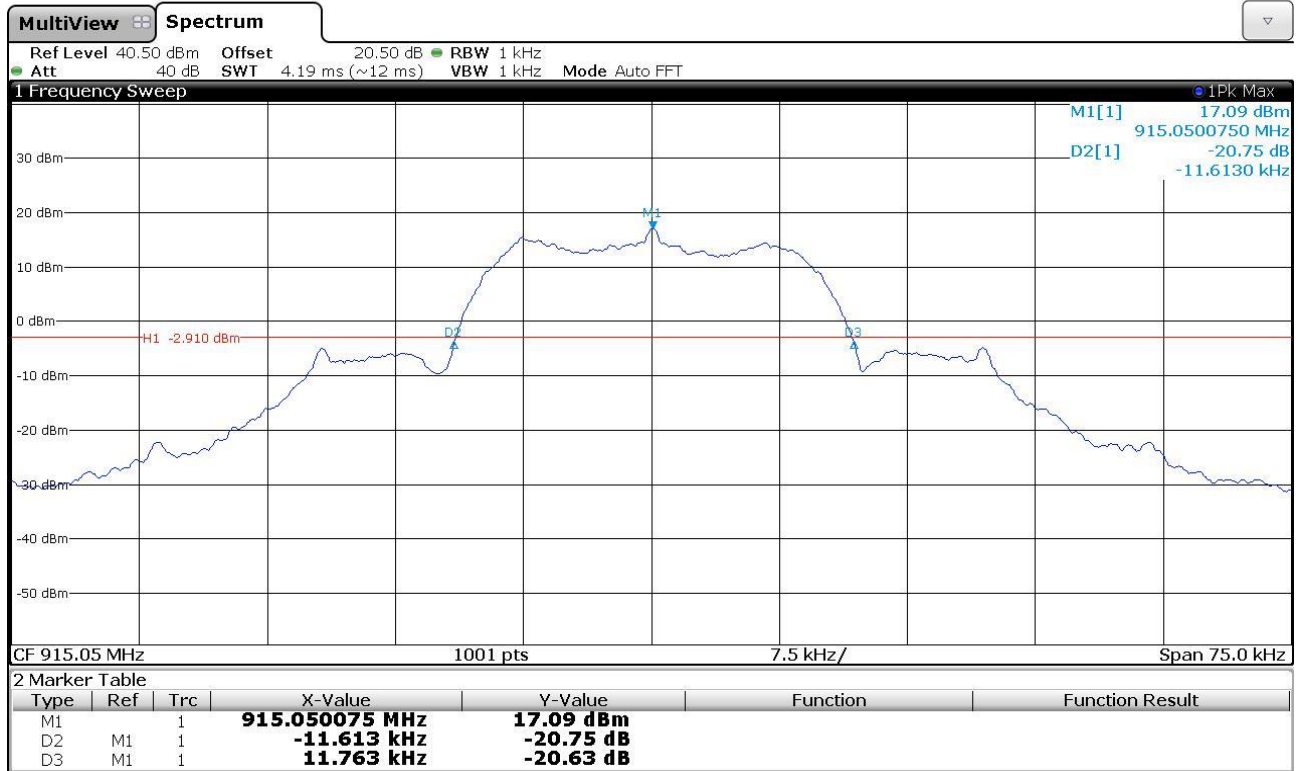
### Result

Frequency (MHz)	Graphs	20 dB bandwidth (kHz)	Maximum 20 dB bandwidth allowed (kHz)	Results
915,15	G17049124	23,376	500	Complies
921,50	G17049129	23,216	500	Complies
927,85	G17049132	23,261	500	Complies



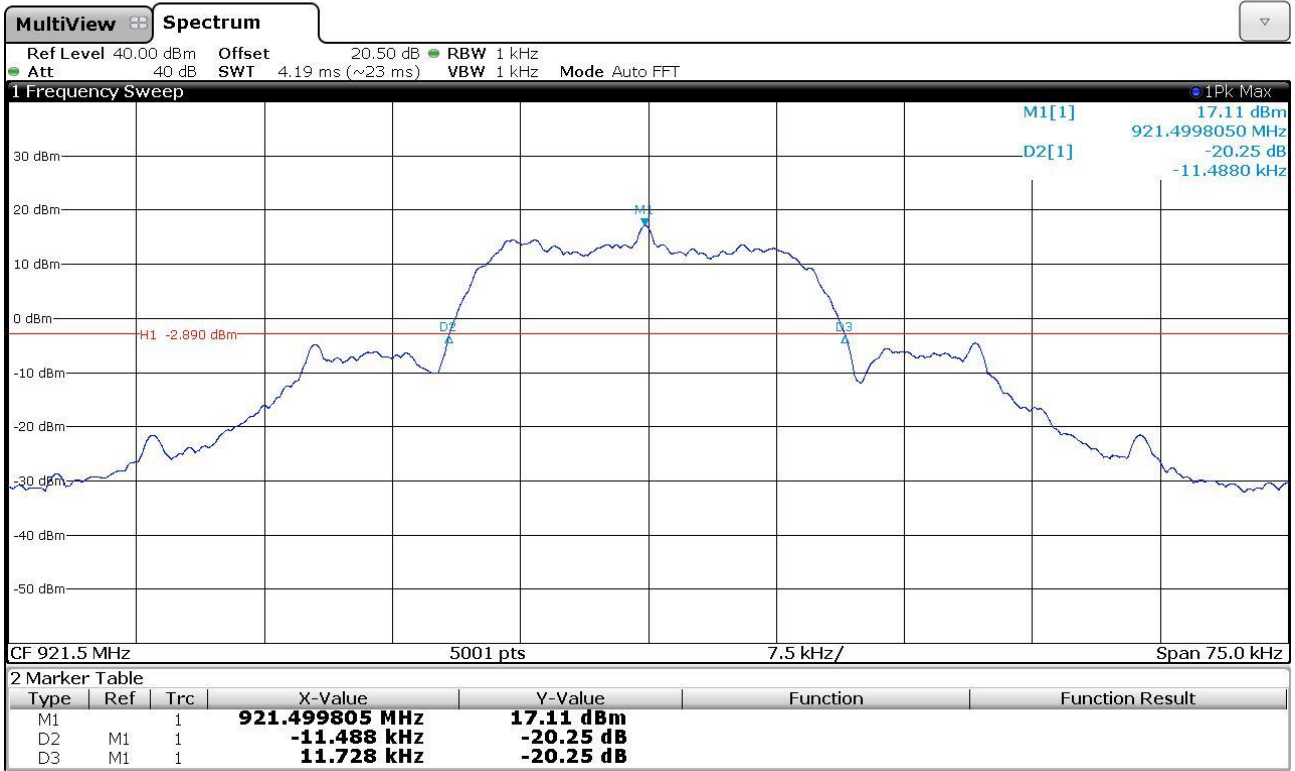
## Graphs

Gandini 17049124



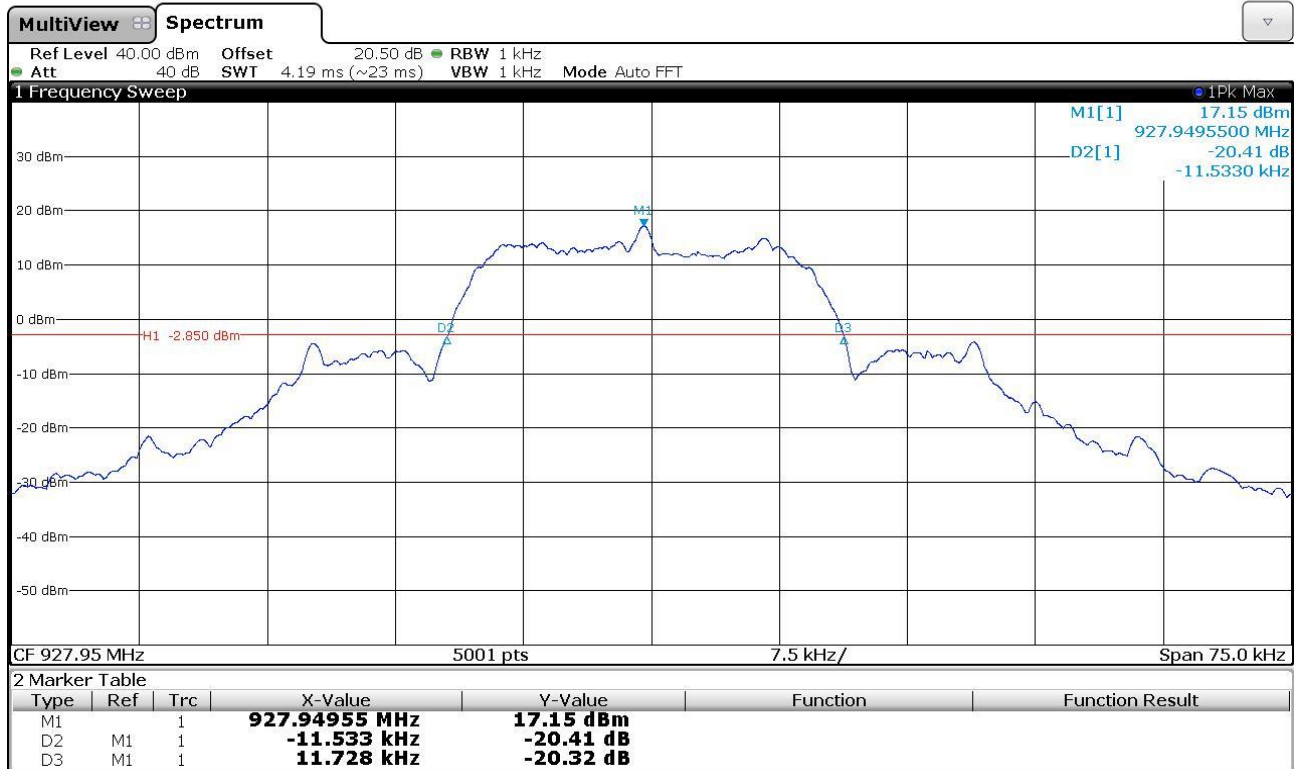


Gandini 17049129





Gandini 17049132



**Result:** The requirements are met



## 11.4 Channel separation

### Test set-up and execution

- FCC Rules and Regulation; Titles 47 Part 15.247
- DA 00-705
- Internal procedure PM001
- See clause 4 of this test report

### Test configuration and test method

*Test site:*  
 Laboratory

*Auxiliary equipment:*  
 See clause 4 of this test report

### EUT exercising

See clause 4 of this test report

### Test equipment used

CMC S108, CMC S136, CMC S227  
 Measurement uncertainty: See clause 7 of this test report

### Test specification

See FCC Part 15.247

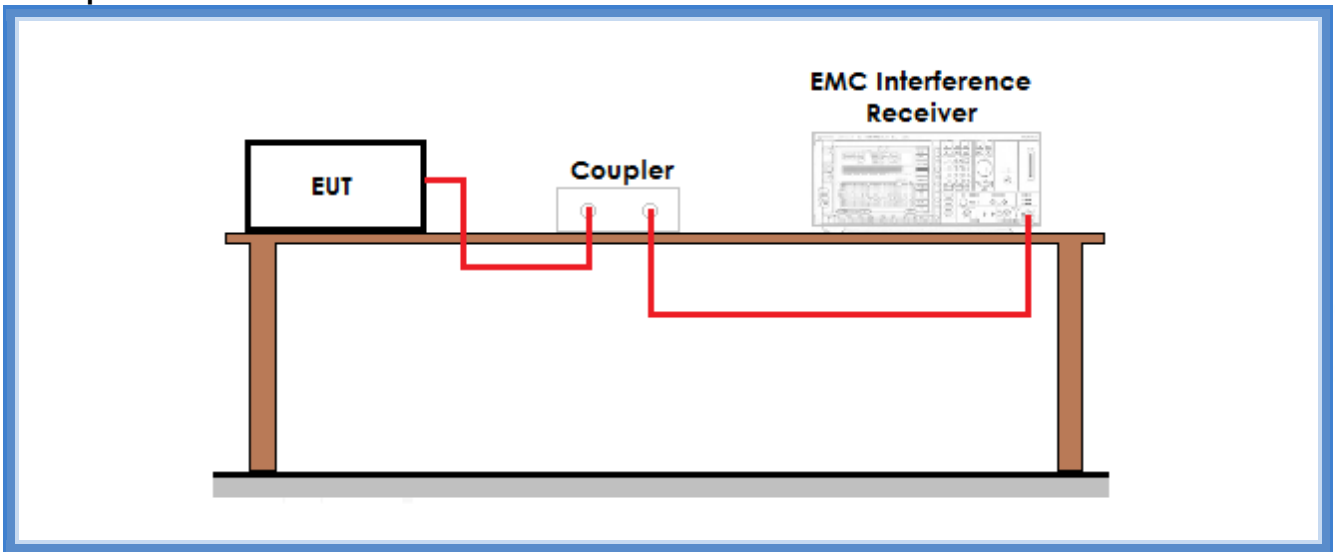
### Environmental conditions

<i>Temperature (°C)</i>	<i>Atmospheric pressure (kPa)</i>	<i>Relative humidity (%)</i>
20	100	42

**Acceptance limits:** frequency hopping systems shall have hopping channel carrier frequencies separated by a minimum of 25 kHz or the 20 dB bandwidth of the hopping channel, whichever is greater. Alternatively, frequency hopping systems operating in the 2400–2483,5 MHz band may have hopping channel carrier frequencies that are separated by 25 kHz or two-thirds of the 20 dB bandwidth of the hopping channel, whichever is greater, provided the systems operate with an output power no greater than 125 mW



### Setup



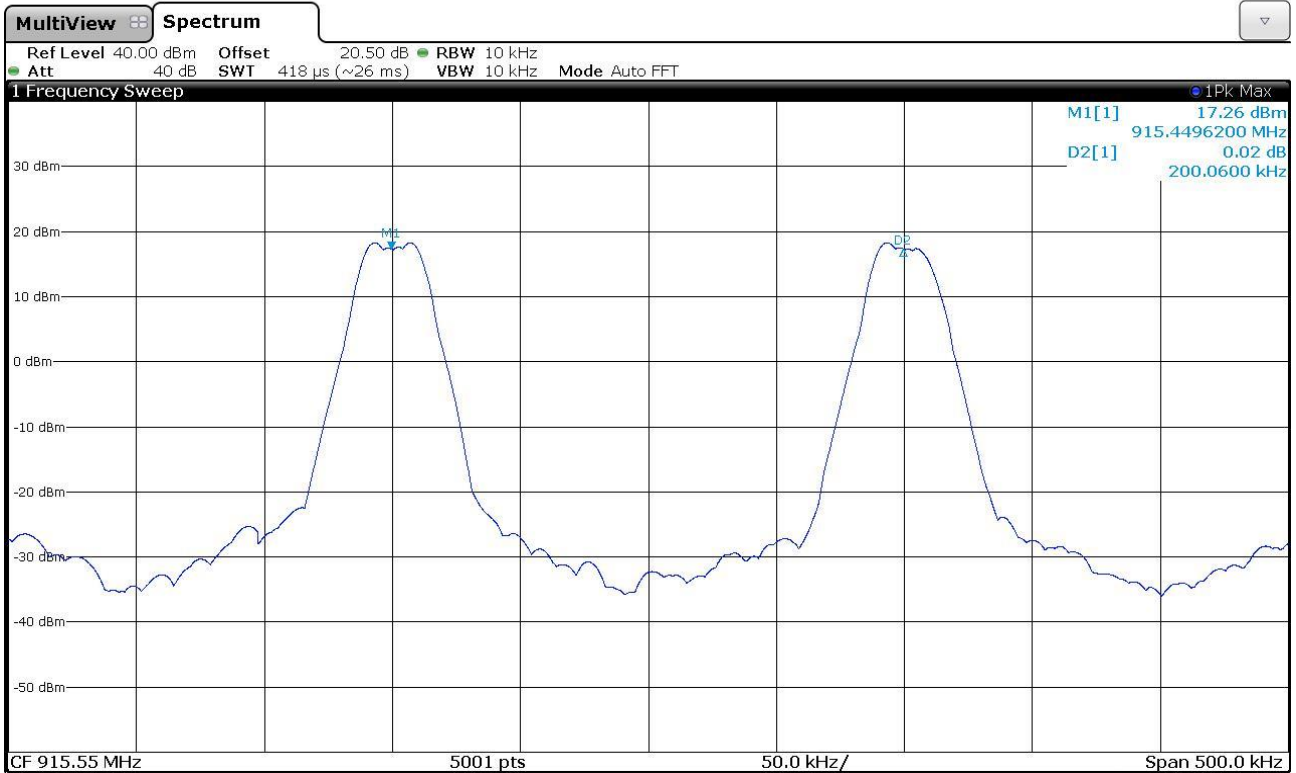
### Result

Frequency band (MHz)	Graphs	Channel separation (kHz)	Minimum channel separation required (kHz)	Results
902 – 928	G17049141	200,06	25	Complies



## Graphs

Gandini 17049141



**Result:** The requirements are met



## 11.5 Number of hopping channels

### Test set-up and execution

- FCC Rules and Regulation; Titles 47 Part 15.247
- DA 00-705
- Internal procedure PM001
- See clause 4 of this test report

### Test configuration and test method

*Test site:*  
 Laboratory

*Auxiliary equipment:*  
 See clause 4 of this test report

### EUT exercising

See clause 4 of this test report

### Test equipment used

CMC S108, CMC S136, CMC S227  
 Measurement uncertainty: See clause 7 of this test report

### Test specification

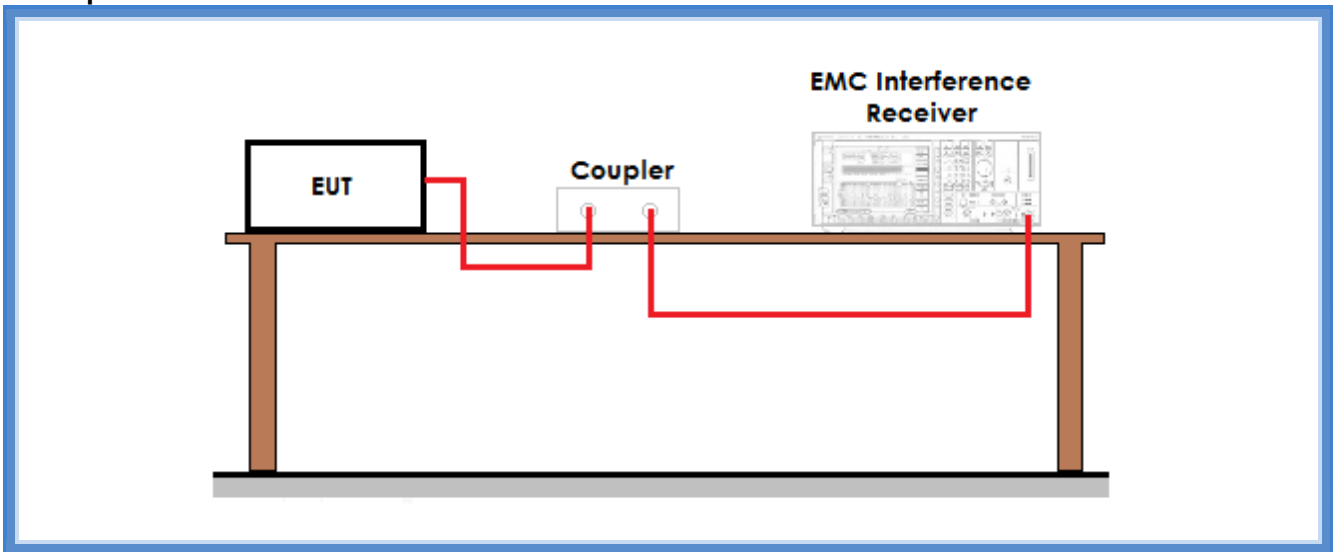
See FCC Part 15.247

### Environmental conditions

<i>Temperature (°C)</i>	<i>Atmospheric pressure (kPa)</i>	<i>Relative humidity (%)</i>
20	100	42

**Acceptance limits:** for frequency hopping systems operating in the 902–928 MHz band: if the 20 dB bandwidth of the hopping channel is less than 250 kHz, the system shall use at least 50 hopping frequencies. If the 20 dB bandwidth of the hopping channel is 250 kHz or greater, the system shall use at least 25 hopping frequencies. Frequency hopping systems in the 2400–2483.5 MHz band shall use at least 15 channels.

### Setup



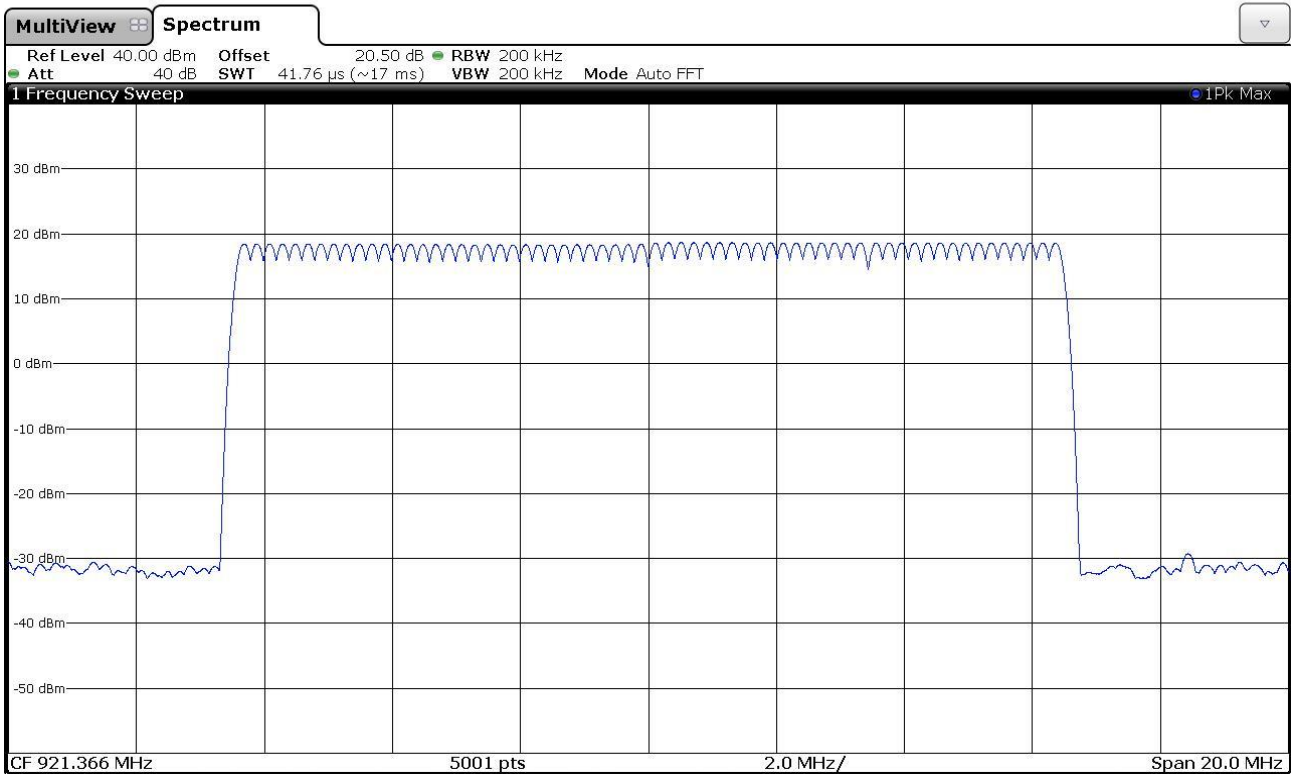
### Result

Frequency band (MHz)	Graphs	Number of hopping channels	Minimum number of hopping channels required	Results
902 – 928	G17049142 and G17049143	64	50	Complies



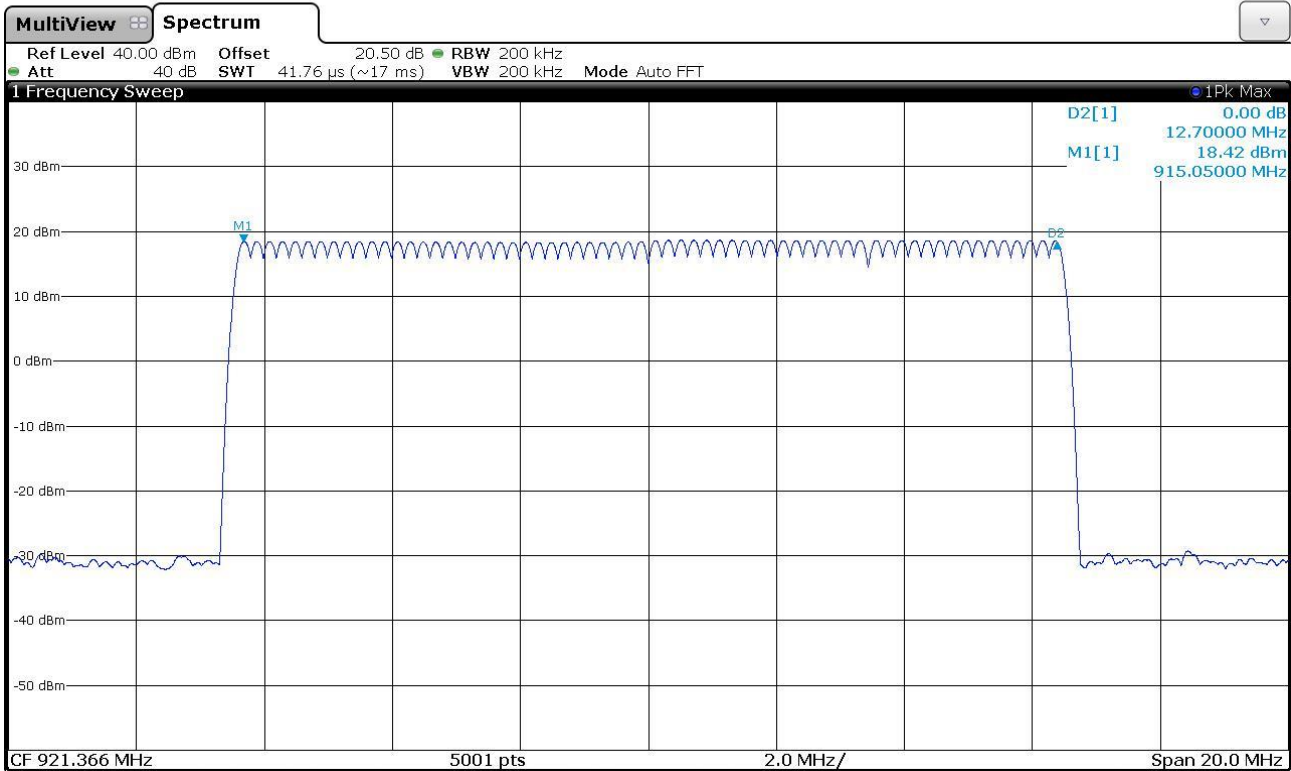
## Graphs

Gandini 17049142





Gandini 17049143



**Result:** The requirements are met



## 11.6 Time of occupancy

### Test set-up and execution

- FCC Rules and Regulation; Titles 47 Part 15.247
- DA 00-705
- Internal procedure PM001
- See clause 4 of this test report

### Test configuration and test method

*Test site:*  
 Laboratory

*Auxiliary equipment:*  
 See clause 4 of this test report

### EUT exercising

See clause 4 of this test report

### Test equipment used

CMC S108, CMC S136, CMC S227  
 Measurement uncertainty: See clause 7 of this test report

### Test specification

See FCC Part 15.247

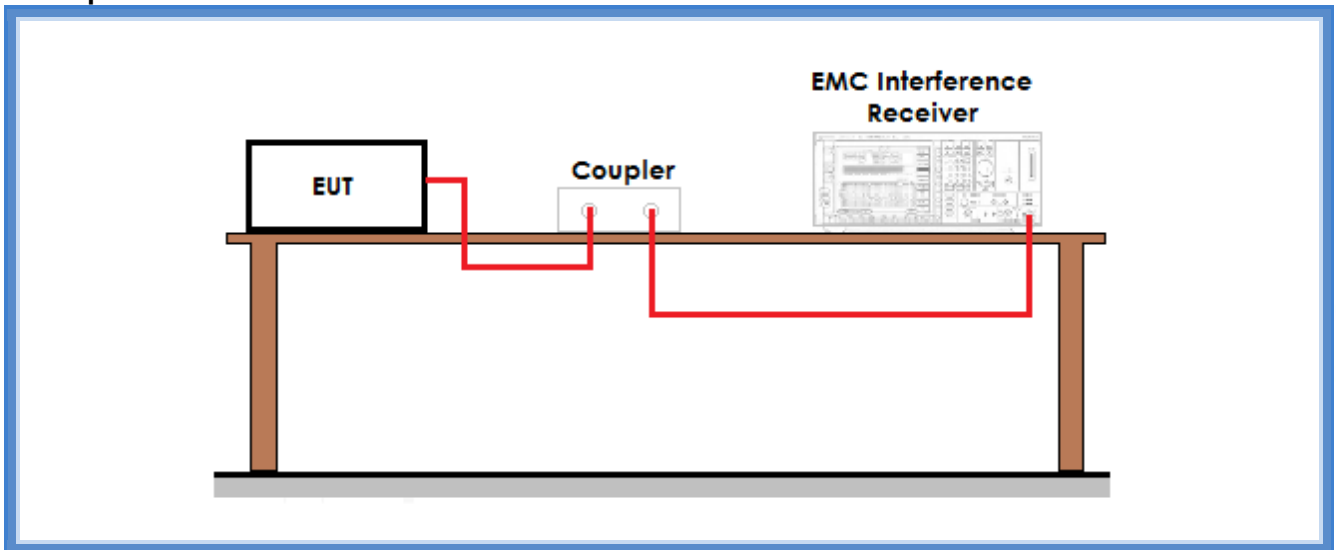
### Environmental conditions

<i>Temperature (°C)</i>	<i>Atmospheric pressure (kPa)</i>	<i>Relative humidity (%)</i>
22	100	42

### Acceptance limits:

For frequency hopping systems operating in the 902–928 MHz band: if the 20 dB bandwidth of the hopping channel is less than 250 kHz, the system shall use at least 50 hopping frequencies and the average time of occupancy on any frequency shall not be greater than 0,4 seconds within a 20 second period; if the 20 dB bandwidth of the hopping channel is 250 kHz or greater, the system shall use at least 25 hopping frequencies and the average time of occupancy on any frequency shall not be greater than 0,4 seconds within a 10 second period

## Setup



## Result

Frequency (MHz)	Graphs	Dwell time (ms)
918,05	G17049144	20,25

Frequency (MHz)	Time between 2 transmission on different channels	Number of transmissions on a period of 20 s
918,05	G17049146      50 ms	6,25

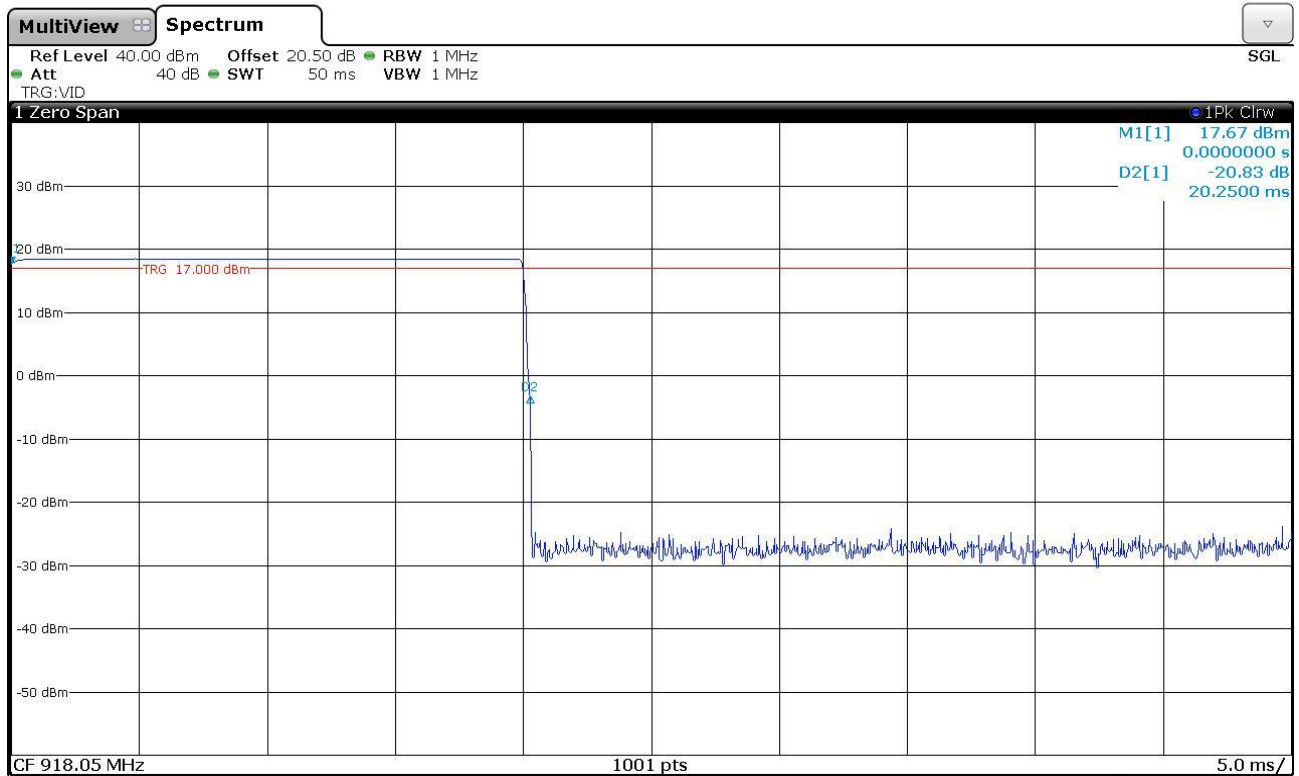
Time of occupancy (Dwell time x Nr. transmissions)	Maximum allowed time of occupancy	Results
126,5625 ms	400 ms	Complies





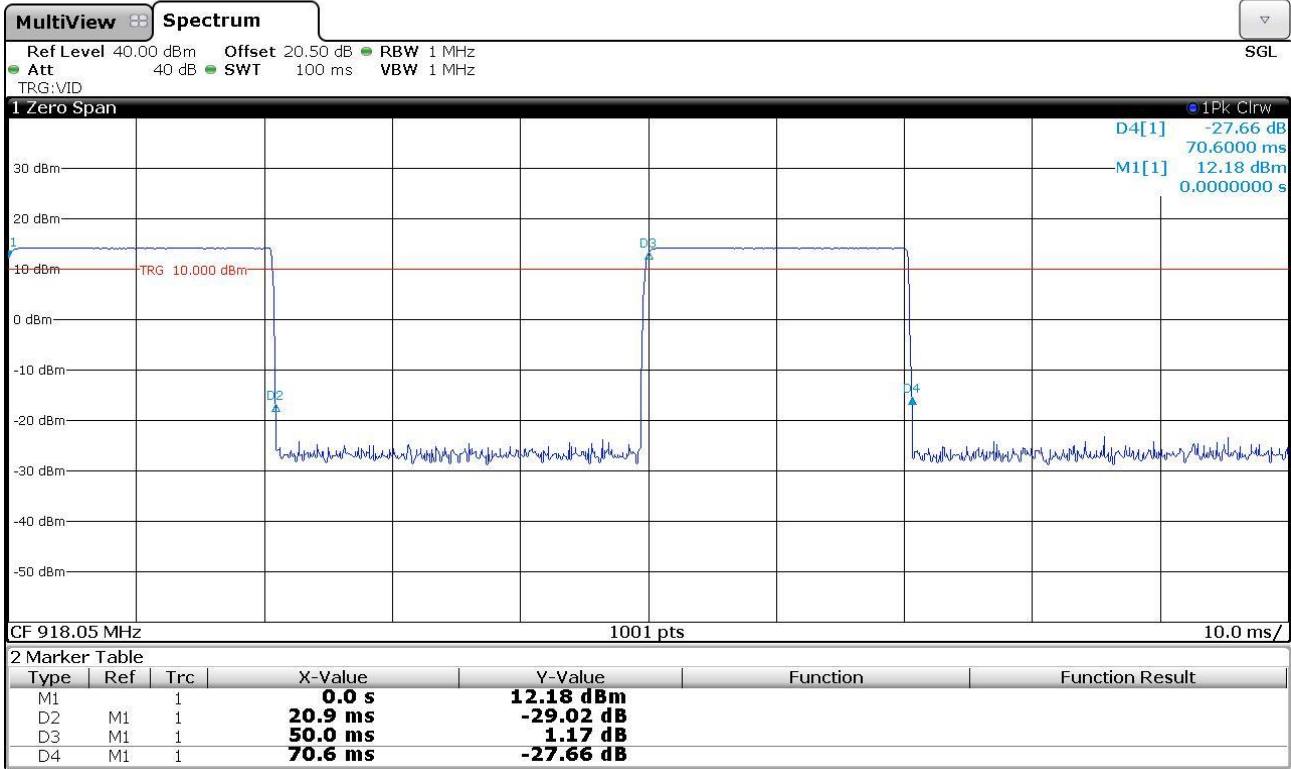
## Graphs

Gandini 17049144





Gandini 17049146



**Result:** The requirements are met



## 11.7 Band edge

### Test set-up and execution

- FCC Rules and Regulation; Titles 47 Part 15.247
- DA 00-705
- Internal procedure PM001
- See clause 4 of this test report

### Test configuration and test method

*Test site:*  
 Laboratory

*Auxiliary equipment:*  
 See clause 4 of this test report

### EUT exercising

See clause 4 of this test report

### Test equipment used

CMC S108, CMC S136, CMC S227  
 Measurement uncertainty: See clause 7 of this test report

### Test specification

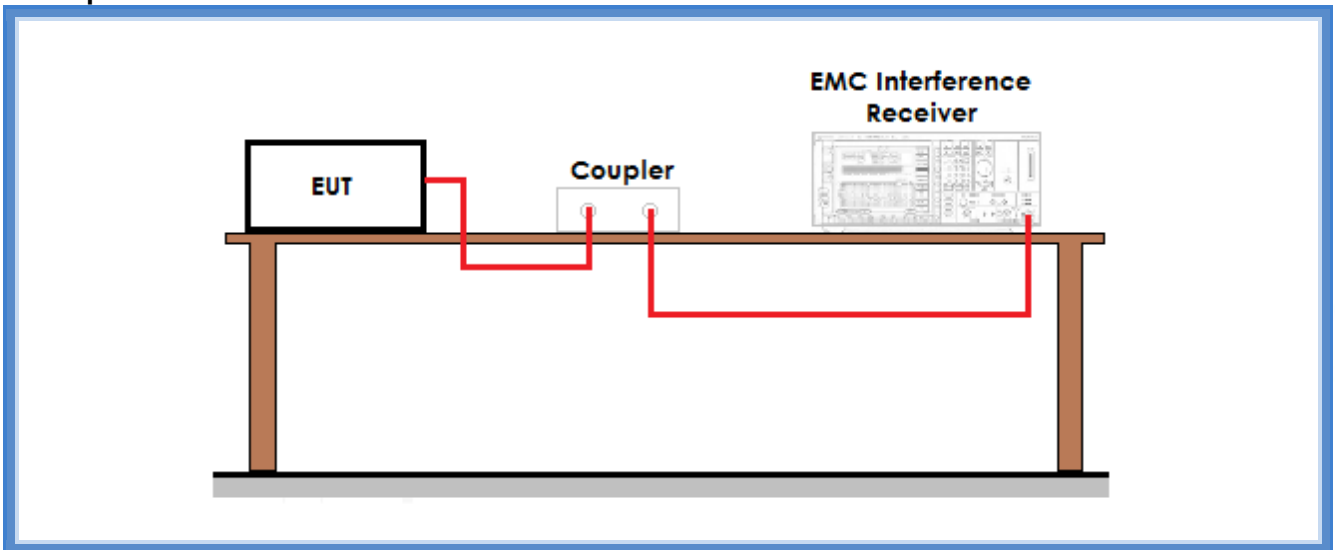
See FCC Part 15.247

### Environmental conditions

<i>Temperature (°C)</i>	<i>Atmospheric pressure (kPa)</i>	<i>Relative humidity (%)</i>
22	100	45

**Acceptance limits:** operation within the band 902 – 928 MHz

### Setup



### Result

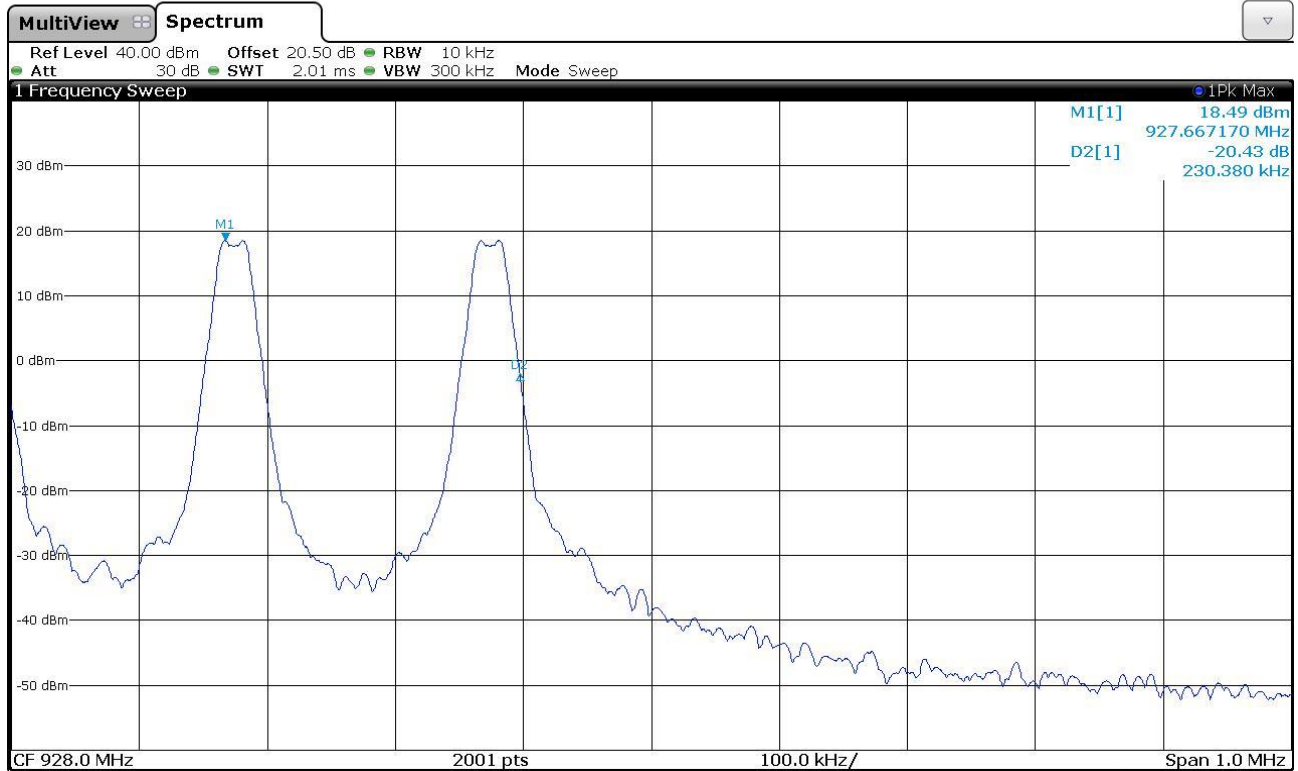
Frequency (MHz)	Graph(s) – Hopping	Results	
915,075	G17049163	F <sub>L</sub> : 915,05000 MHz	Complies
	G17049160		
927,825	G17049156	F <sub>H</sub> : 927,89755 MHz	Complies
	G17049159		

Frequency (MHz)	Graph(s) – No hopping	Results	
915,075	G17049162	F <sub>L</sub> : 915,04510 MHz	Complies
	G17049161		
927,825	G17049157	F <sub>H</sub> : 927,84807 MHz	Complies
	G17049158		



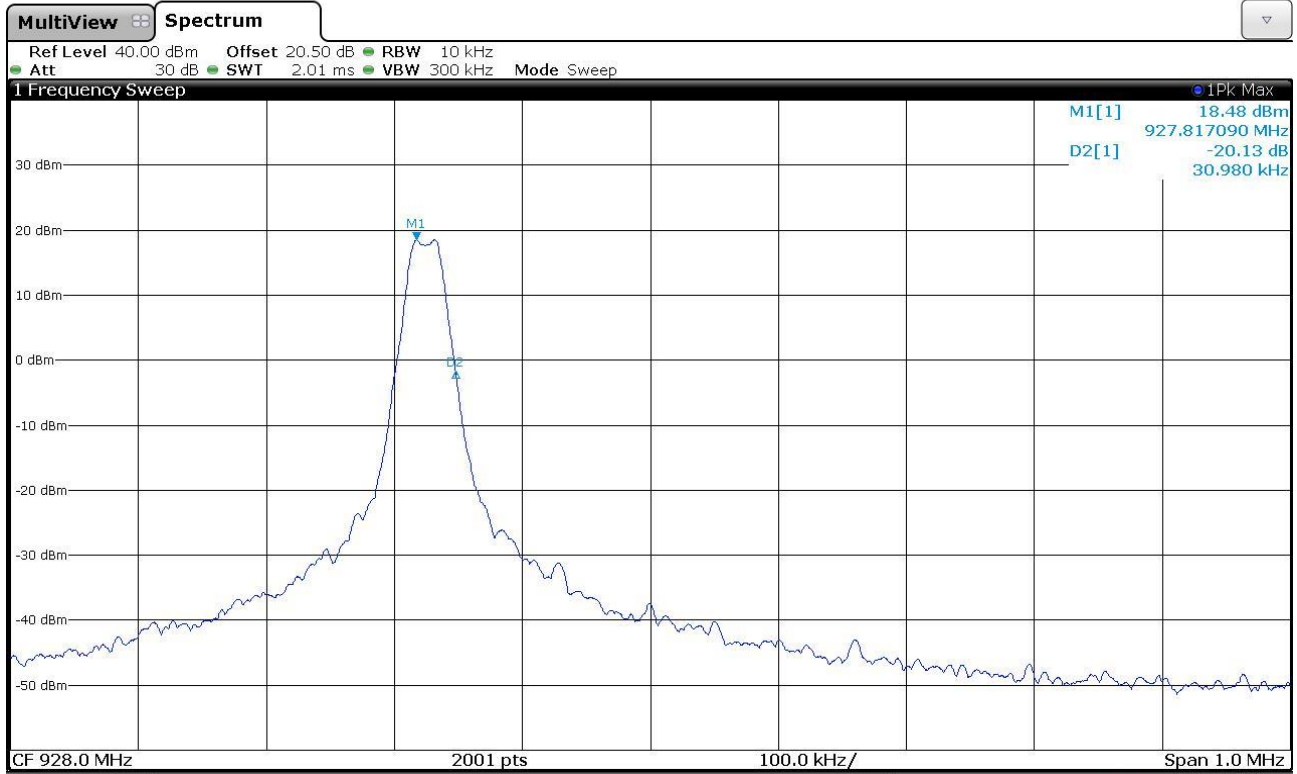
## Graphs

Bertezzo 17049156



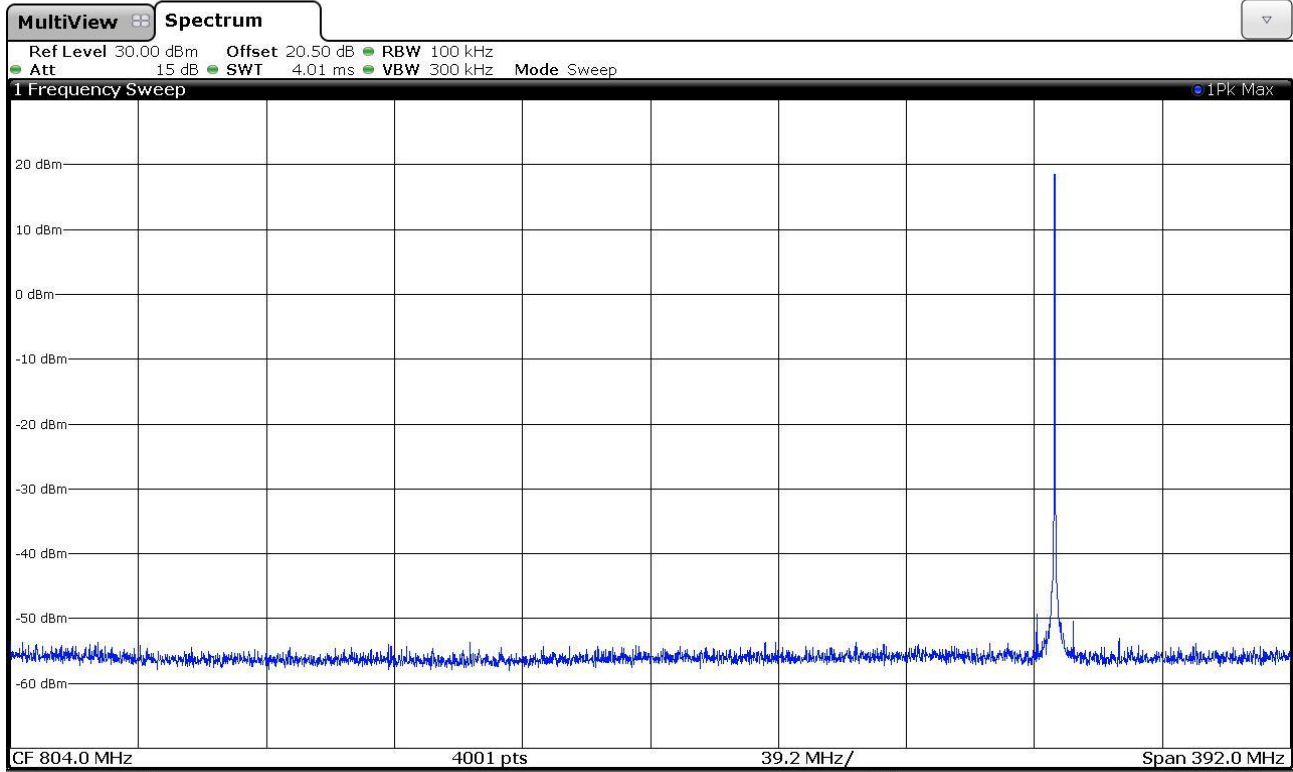


Bertezzo 17049157





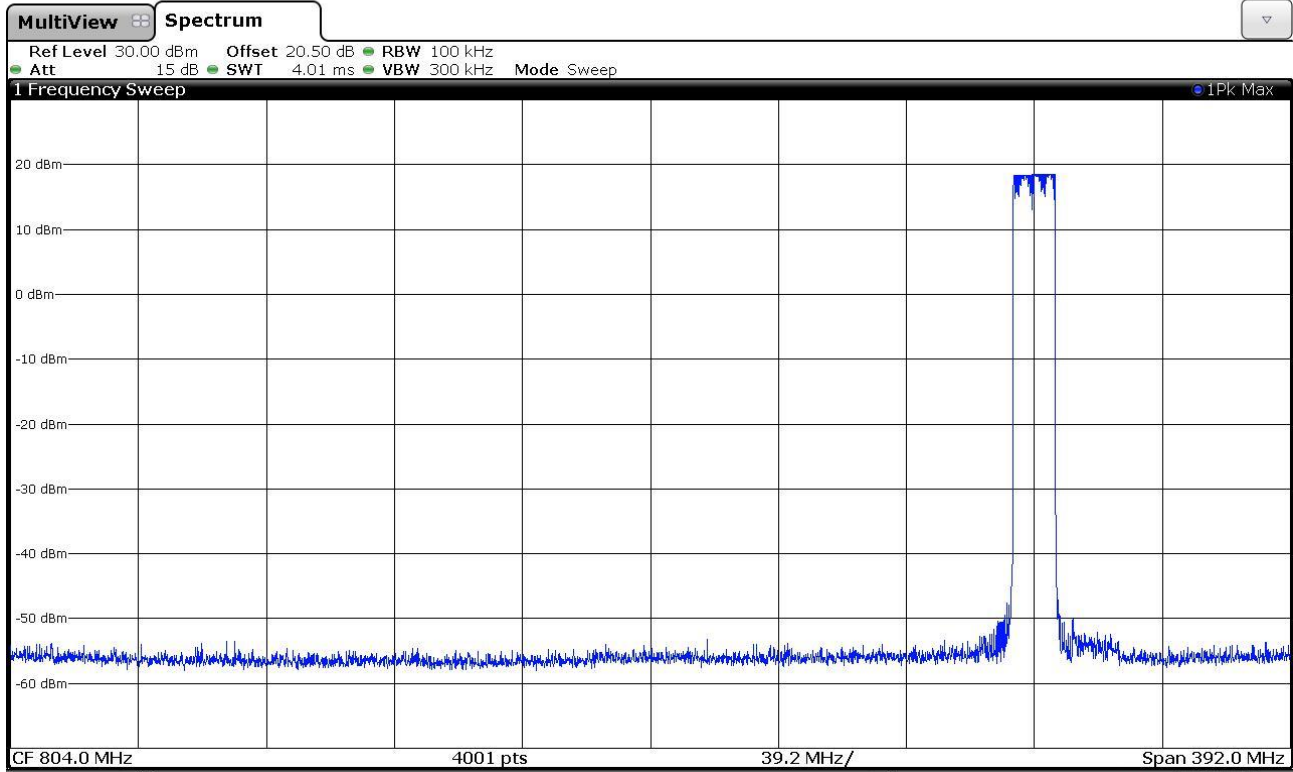
Bertezzo 17049158



CMC Centro Misure Compatibilità S.r.l.



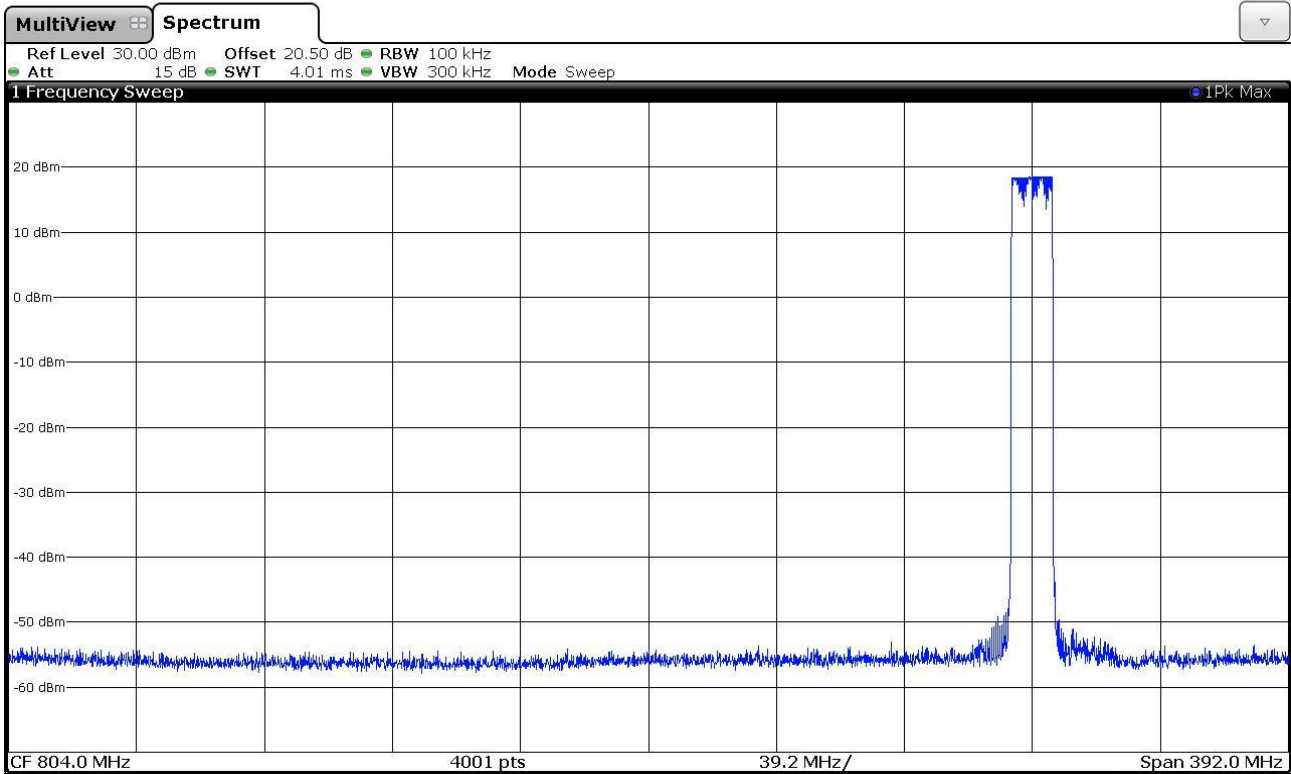
Bertezzo 17049159





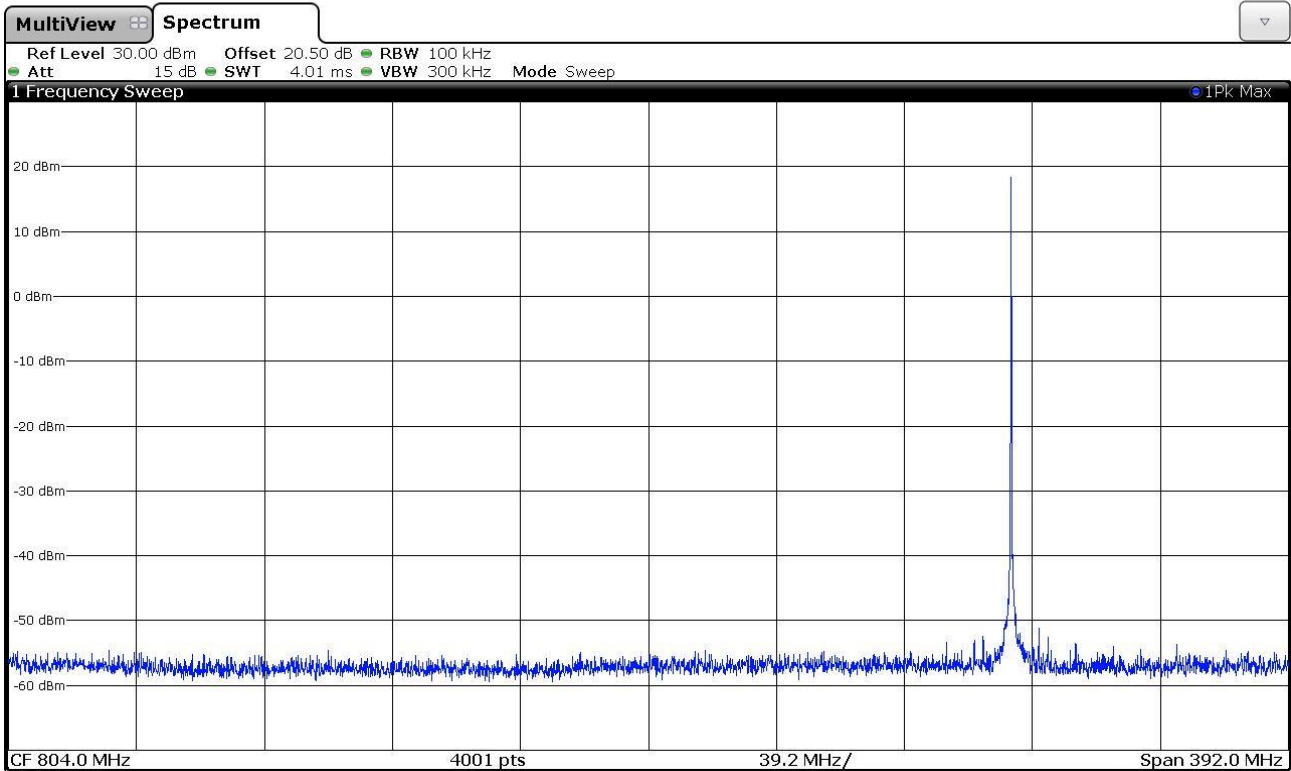


Bertezzo 17049160



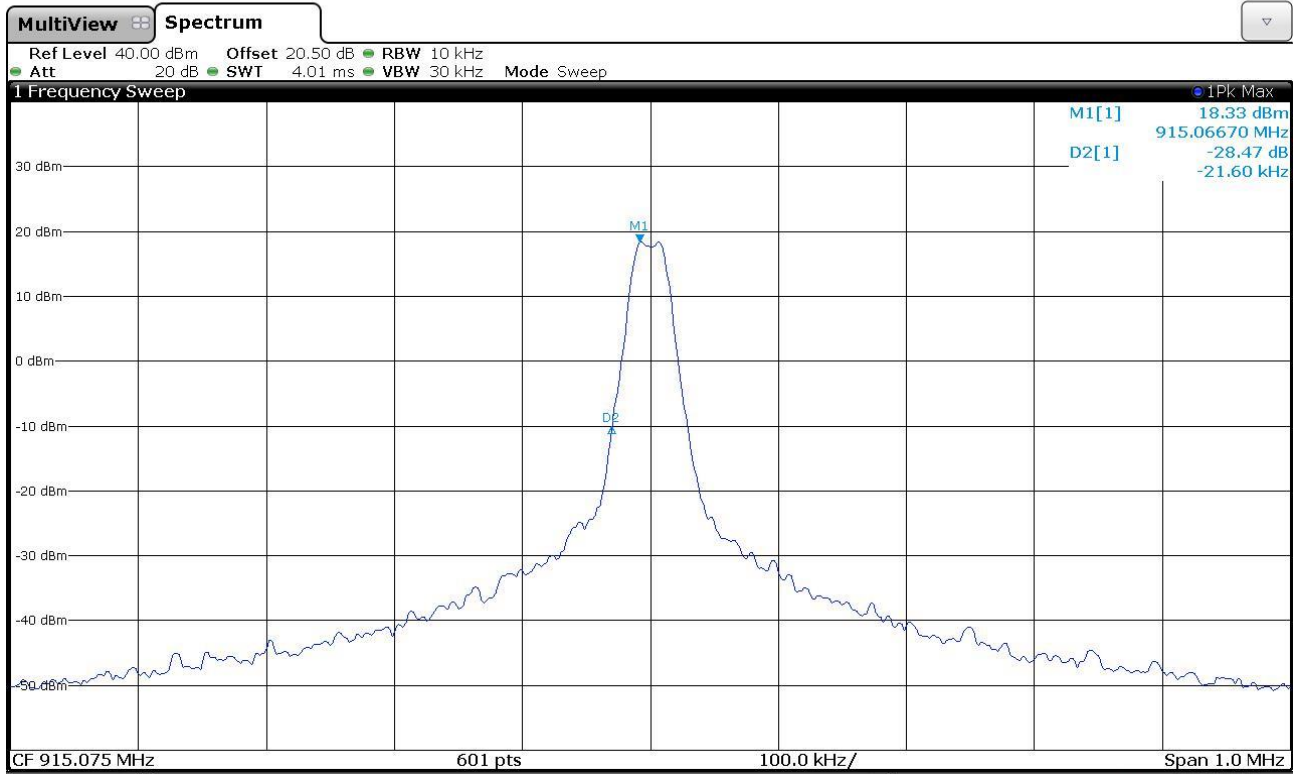


Bertezzo 17049161





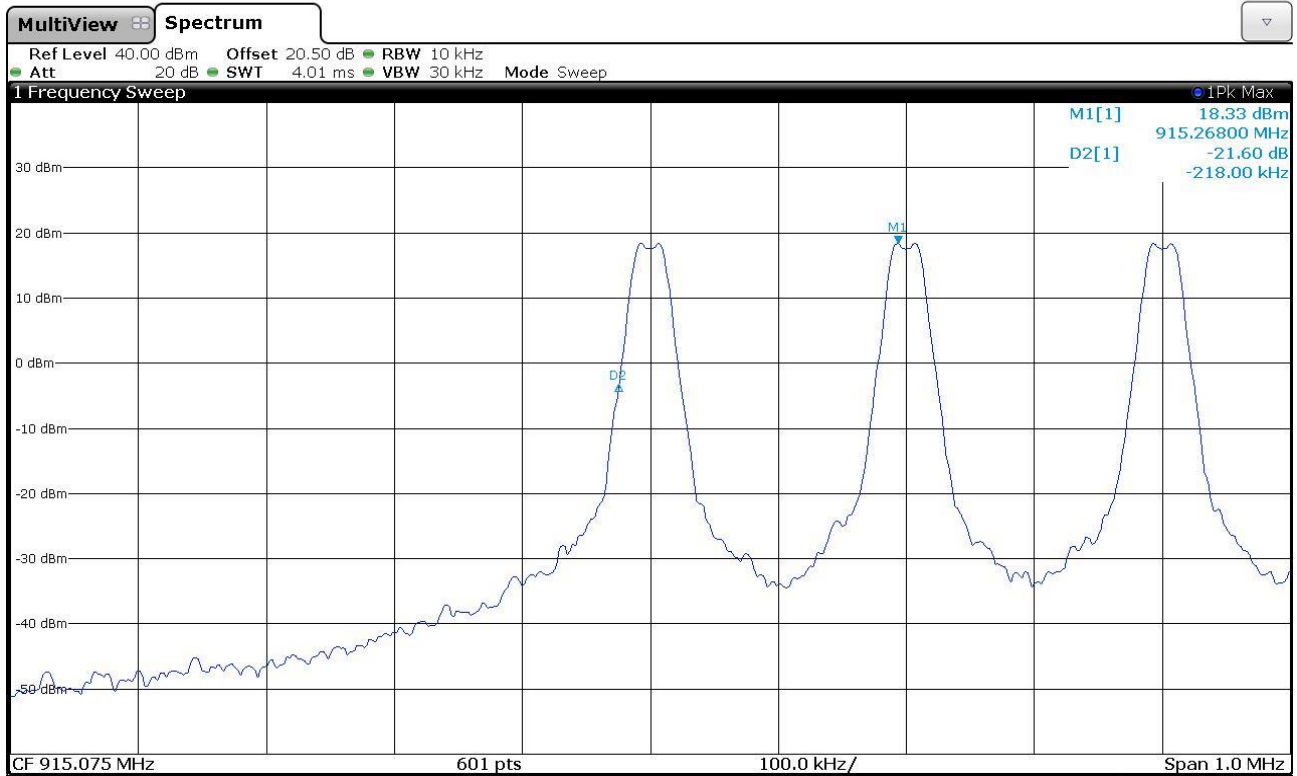
Bertezolo 17049162



CMC Centro Misure Compatibilità S.r.l.



Bertezzo 17049163



**Result:** The requirements are met

CMC Centro Misure Compatibilità S.r.l.



## 11.8 Peak Output Power

### Test set-up and execution

- FCC Rules and Regulation; Titles 47 Part 15.247
- DA 00-705
- Internal procedure PM001
- See clause 4 of this test report

### Test configuration and test method

*Test site:*  
 Laboratory

*Auxiliary equipment:*  
 See clause 4 of this test report

### EUT exercising

See clause 4 of this test report

### Test equipment used

CMC S108, CMC S136, CMC S164  
 Measurement uncertainty: See clause 7 of this test report

### Test specification

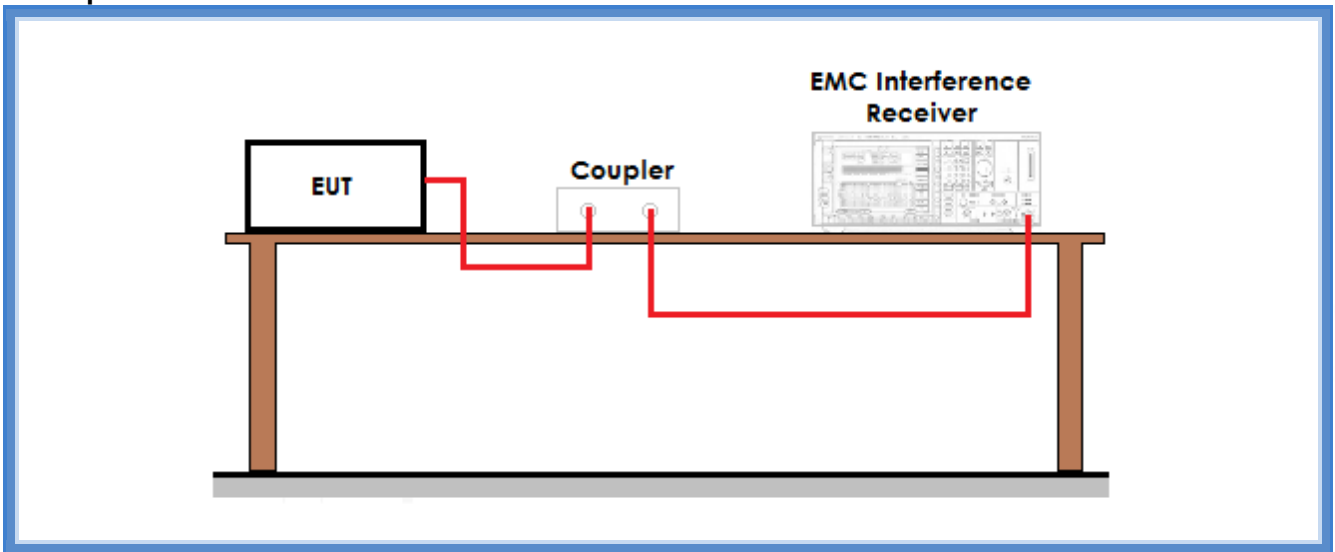
Port: Antenna

### Environmental conditions

<i>Temperature (°C)</i>	<i>Atmospheric pressure (kPa)</i>	<i>Relative humidity (%)</i>
20	100	45

For frequency hopping systems operating in the 2400–2483,5 MHz band employing at least 75 non-overlapping hopping channels, and all frequency hopping systems in the 5725–5850 MHz band: 1 watt. For all other frequency hopping systems in the 2400–2483,5 MHz band: 0,125 watts.  
 For frequency hopping systems operating in the 902–928 MHz band: 1 watt for systems employing at least 50 hopping channels; and, 0,25 watts for systems employing less than 50 hopping channels, but at least 25 hopping channels.

### Setup



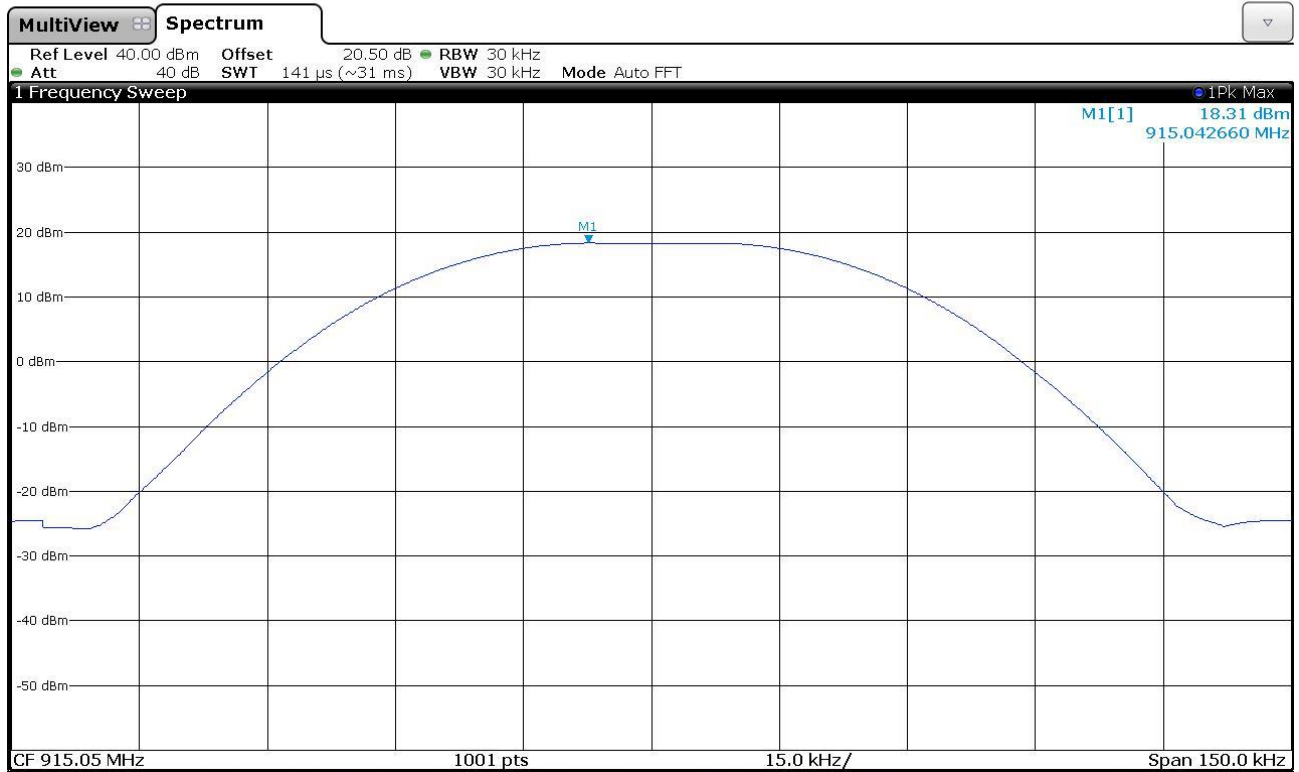
### Result

Frequency (MHz)	Graphs	Conducted measured level (dBm)	Conducted power level (mW)	Calculated radiated level (dB $\mu$ V/m)
915,042660	G17049126	18,31	67,76	115,54
921,493041	G17049131	18,38	68,87	115,61
927,942651	G17049134	18,47	70,31	115,70



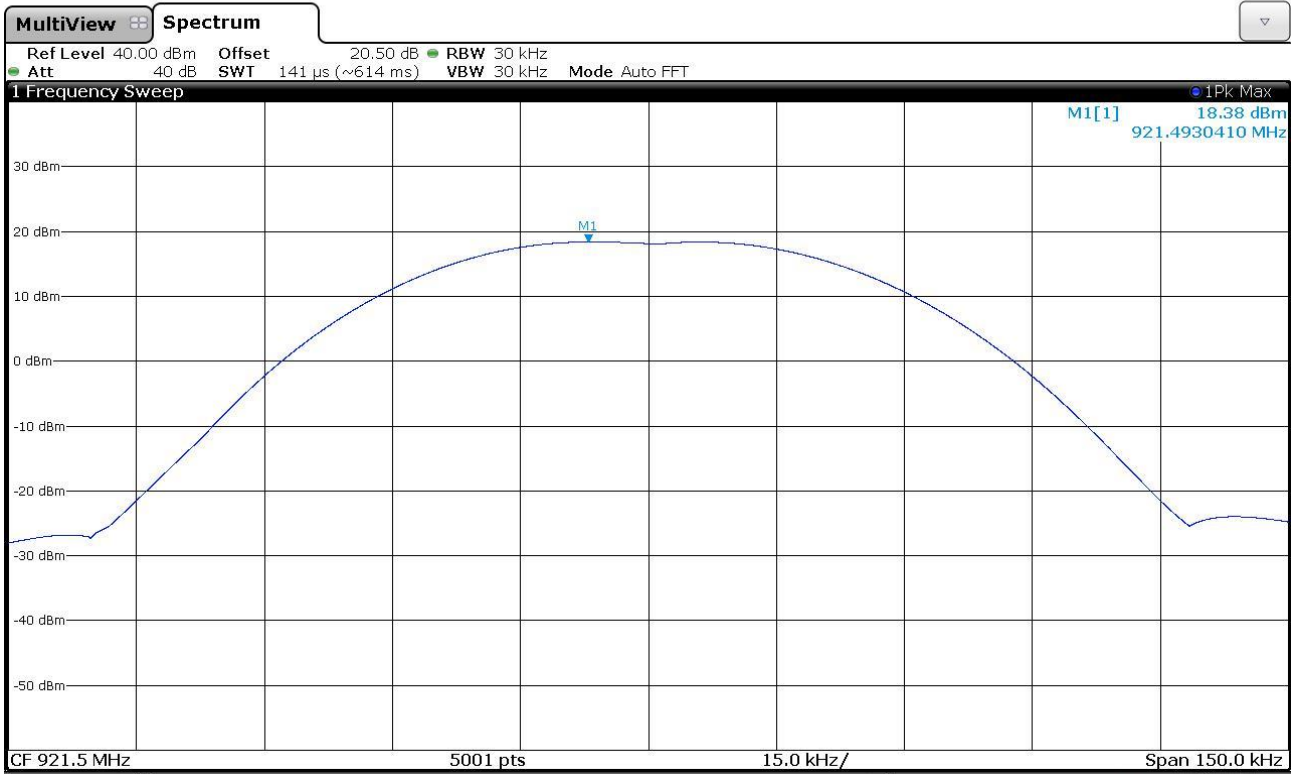
## Graphs

Gandini 17049126





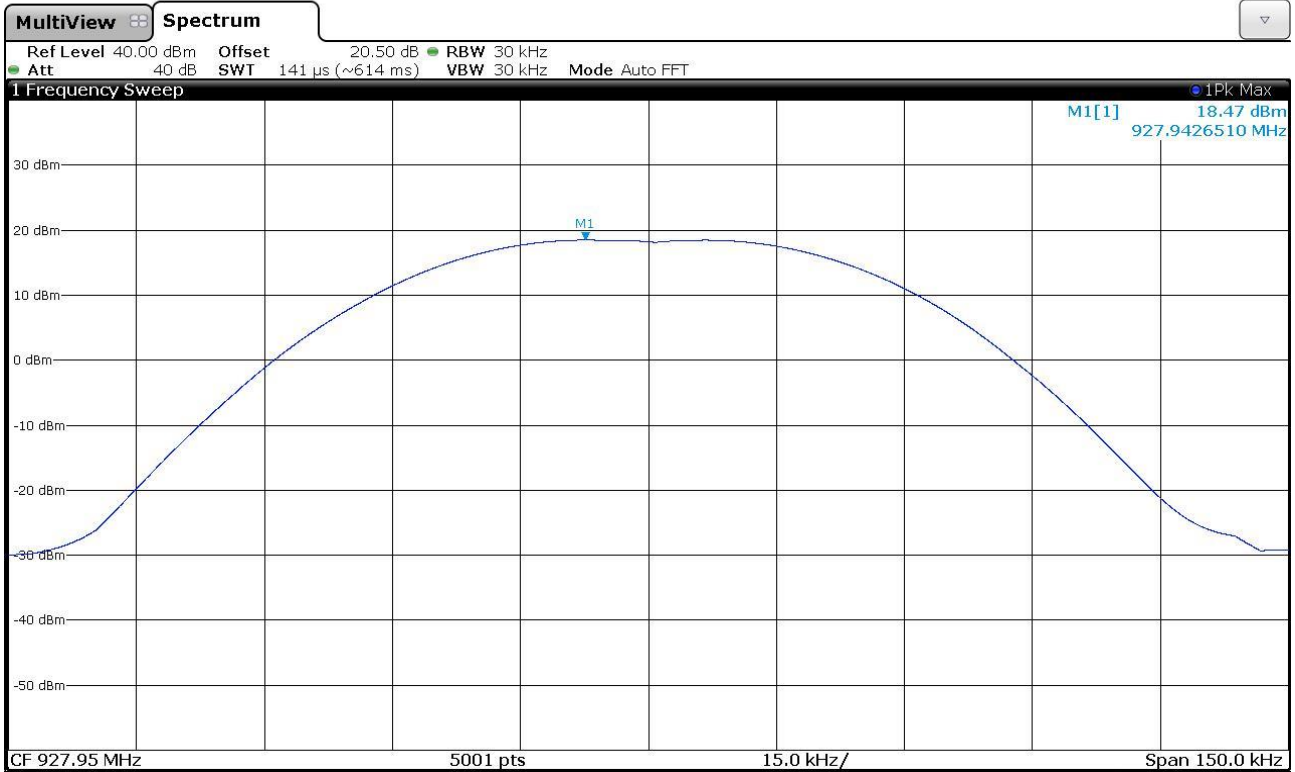
Gandini 17049131







Gandini 17049134



**Result:** The requirements are met



## 11.9 Spurious Emission

### Test set-up and execution

- FCC Rules and Regulation; Titles 47 Part 15.209
- DA 00-705
- Internal procedure PM001
- See clause 4 of this test report

### Test configuration and test method

*Test site:*  
 Semi-anechoic chamber

*Auxiliary equipment:*  
 See clause 4 of this test report

### EUT exercising

See clause 4 of this test report

### Test equipment used

CMC S108, CMC S136, CMC S164  
 Measurement uncertainty: See clause 7 of this test report

### Test specification

Port: Enclosure  
 Frequency range: 0,009 MHz – 10000 MHz  
 Antenna polarization: Horizontal (H) – Vertical (V)  
 10 m for frequencies ≤ 30 MHz  
 3 m for frequencies > 30 MHz

### Environmental conditions

Temperature (°C)	Atmospheric pressure (kPa)	Relative humidity (%)
22	100	45

### Acceptance limits

Acceptance limits for emissions in restricted frequency bands		
Frequency (MHz)	AV limits [dB(μV/m)]	Peak limits [dB(μV/m)]
> 1000	54	74



The restricted frequency bands are listed in the following table

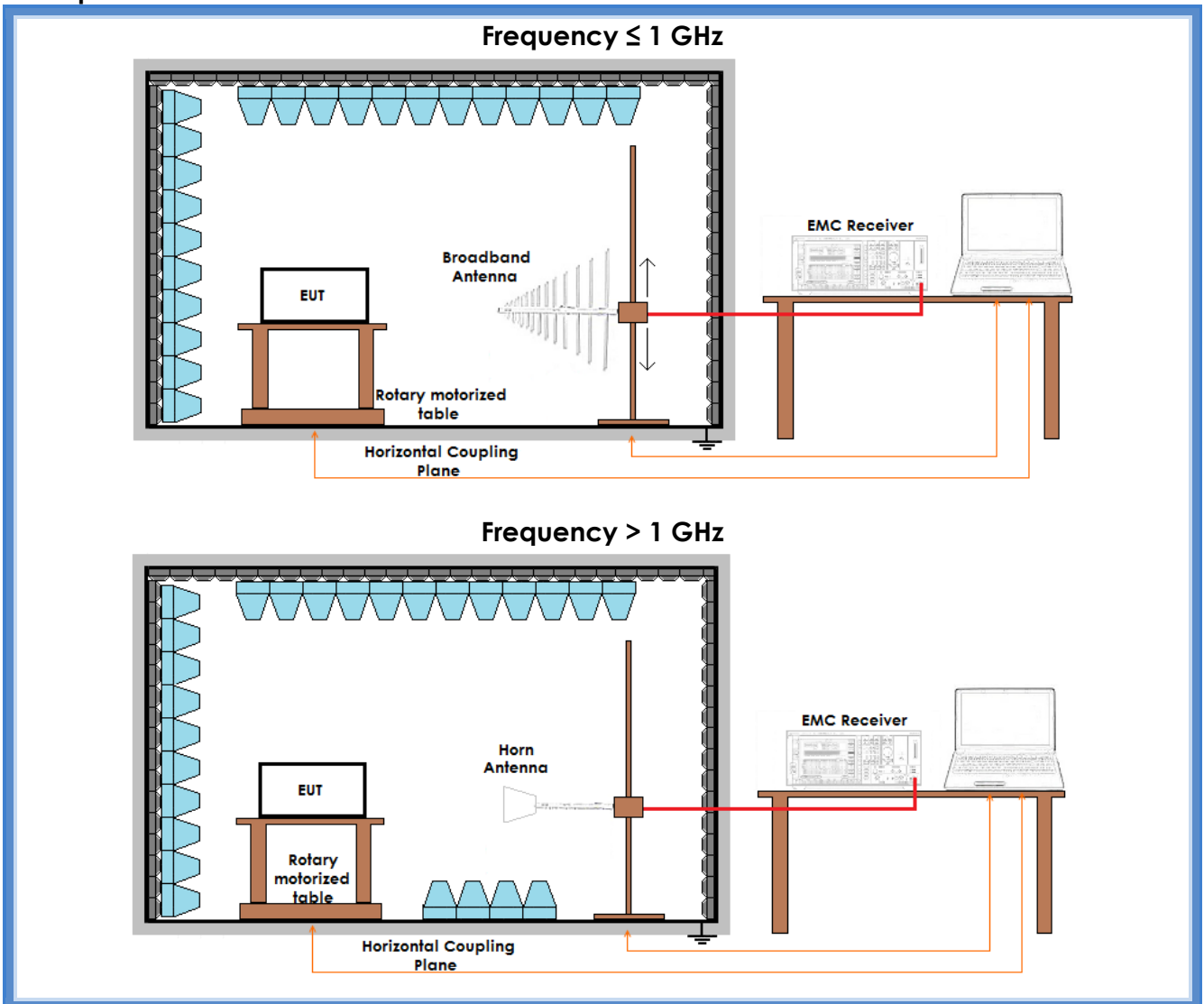
MHz	MHz	MHz	GHz
0,090 – 0,110	16,42 – 16,423	399,9 – 410	4,5 – 5,15
0,495 – 0,505	16,69475 – 16,69525	608 – 614	5,35 – 5,46
2,1735 – 2,1905	16,80425 – 16,80475	960 – 1240	7,25 – 7,75
4,125 – 4,128	25,5 – 25,67	1300 – 1427	8,025 – 8,5
4,17725 – 4,17775	37,5 – 38,25	1435 – 1626,5	9,0 – 9,2
4,20725 – 4,20775	73 – 74,6	1645,5 – 1646,5	9,3 – 9,5
6,215 – 6,218	74,8 – 75,2	1660 – 1710	10,6 – 12,7
6,26775 – 6,26825	108 – 121,94	1718,8 – 1722,2	13,25 – 13,4
6,31175 – 6,31225	123 – 138	2200 – 2300	14,47 – 14,5
8,291 – 8,294	149,9 – 150,05	2310 – 2390	15,35 – 16,2
8,362 – 8,366	156,52475 – 156,52525	2483,5 – 2500	17,7 – 21,4
8,37625 – 8,38675	156,7 – 156,9	2690 – 2900	22,01 – 23,12
8,41425 – 8,41475	162,0125 – 167,17	3260 – 3267	23,6 – 24,0
12,29 – 12,293	167,72 – 173,2	3332 – 3339	31,2 – 31,8
12,51975 – 12,52025	240 – 285	3345,8 – 3358	36,43 – 36,5
12,57675 – 12,57725	322 – 335,4	3600 – 4400	Above 38,6
13,36 – 13,41			

#### Acceptance limits for emissions in non-restricted frequency bands

In any 100 kHz bandwidth outside the frequency band in which the spread spectrum or digitally modulated intentional radiator is operating, the radio frequency power that is produced by the intentional radiator shall be at least 20 dB below that in the 100 kHz bandwidth within the band that contains the highest level of the desired power, based on either an RF conducted or a radiated measurement, provided the transmitter demonstrates compliance with the peak conducted power limits.



## Setup





### Result – AV detector

Harmonic	Lowest channel		Medium channel		Highest channel		Results
	Level (dB $\mu$ V/m)	Limits (dB $\mu$ V/m)	Level (dB $\mu$ V/m)	Limits (dB $\mu$ V/m)	Level (dB $\mu$ V/m)	Limits (dB $\mu$ V/m)	
II	49,43	54,00	47,74	54,00	48,16	54,00	Complies
III	43,26	54,00	41,49	54,00	41,84	54,00	Complies
IV	39,19	54,00	39,56	54,00	43,97	54,00	Complies
V	39,49	54,00	38,76	54,00	38,72	54,00	Complies
VI	46,13	54,00	41,62	54,00	41,79	54,00	Complies
VII	More than 20 dB below limit	54,00	More than 20 dB below limit	54,00	More than 20 dB below limit	54,00	Complies
VIII	48,45	54,00	52,91	54,00	48,34	54,00	Complies
IX	More than 20 dB below limit	54,00	More than 20 dB below limit	54,00	More than 20 dB below limit	54,00	Complies
X	More than 20 dB below limit	54,00	More than 20 dB below limit	54,00	More than 20 dB below limit	54,00	Complies

**Remarks:** EUT was tested in 3 orthogonal planes. The results in this table show the highest values. No spurious other than harmonics have been found. The results have been extrapolated to the specified distance using an extrapolation factor. For all harmonics it was considered the limit of 54 dB $\mu$ V/m as a worse case.



### Result – Peak detector

Harmonic	Lowest channel		Medium channel		Highest channel		Results
	Level (dB $\mu$ V/m)	Limits (dB $\mu$ V/m)	Level (dB $\mu$ V/m)	Limits (dB $\mu$ V/m)	Level (dB $\mu$ V/m)	Limits (dB $\mu$ V/m)	
II	51,55	74,00	50,98	74,00	50,89	74,00	Complies
III	52,14	74,00	More than 20 dB below limit	74,00	More than 20 dB below limit	74,00	Complies
IV	More than 20 dB below limit	74,00	47,53	74,00	48,52	74,00	Complies
V	More than 20 dB below limit	74,00	More than 20 dB below limit	74,00	More than 20 dB below limit	74,00	Complies
VI	More than 20 dB below limit	74,00	50,53	74,00	52,72	74,00	Complies
VII	More than 20 dB below limit	74,00	More than 20 dB below limit	74,00	More than 20 dB below limit	74,00	Complies
VIII	53,66	74,00	56,43	74,00	53,30	74,00	Complies
IX	More than 20 dB below limit	74,00	More than 20 dB below limit	74,00	More than 20 dB below limit	74,00	Complies
X	More than 20 dB below limit	74,00	More than 20 dB below limit	74,00	More than 20 dB below limit	74,00	Complies

**Remarks:** EUT was tested in 3 orthogonal planes. The results in this table show the highest values. No spurious other than harmonics have been found. The results have been extrapolated to the specified distance using an extrapolation factor. For all harmonics it was considered the limit of 74 dB $\mu$ V/m as a worse case.

**Result:** The requirements are met



## 11.10 Maximum permissible exposure

### Test set-up and execution

- FCC Rules and Regulation; Titles 47 Part 1.1310
- Internal procedure PM001
- See clause 4 of this test report

### Test configuration

Test site:  
Laboratory

Auxiliary equipment:  
See clause 4 of this test report

### EUT exercising

See clause 4 of this test report

### Test equipment used

CMC S108, CMC S136, CMC S164  
Measurement uncertainty: See clause 7 of this test report

### Test specification

Port: Antenna

### Acceptance limits

1 mW/cm<sup>2</sup> max at 20 cm of distance

### Result

Power Density Limit (mW/cm <sup>2</sup> )	Maximum Output Power (mW)	Antenna Gain (G)	Power Density at 20 cm (mW/cm <sup>2</sup> )	Remarks
1,00	70,31	1,585 (2 dBi)	2,22E-02	--

Remarks: Power Density = (P x G) / (4πR<sup>2</sup>)

**Result:** The requirements are met