

Tune up Procedure

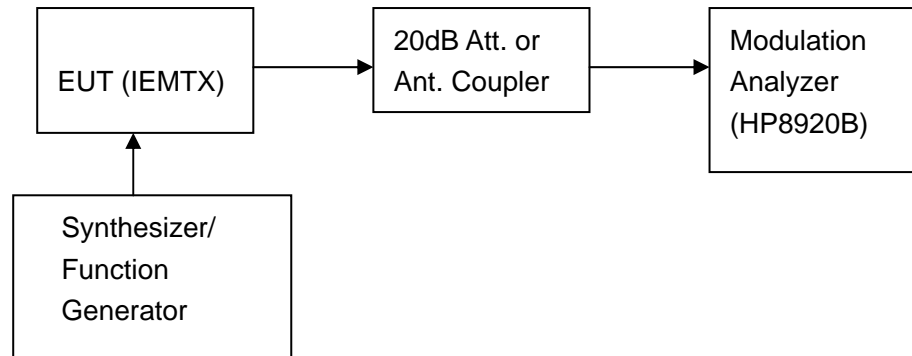
Model: IEMTX

Potentiometer(w101) can control the RF power in the range of ± 1 dbm ,

Potentiometer(w201) can control FM Deviation in the range of ± 50 KHz.

FM Deviation Tune up Procedure :

1). Configure the EUT as shown in the following .



2). Adjust the audio input for 20% of rated system deviation at 1 KHz using this level as a reference (0 dB).

3). Vary the Audio frequency from 100 Hz to 30 KHz and record the frequency deviation.

4). Audio Frequency Response = $20\log_{10}$ (Deviation of test frequency/Deviation of 1 KHz reference).

5) Record the frequency deviation: ± 50 KHz

Modulation: FM 469.975 MHz ~ 488.50 MHz:

Channel	Max output power	Frequency deviation
469.975MHz	6 \pm 1dBm	± 50 KHz
471.025MHz	6 \pm 1dBm	± 50 KHz
472.300MHz	6 \pm 1dBm	± 50 KHz
472.975MHz	6 \pm 1dBm	± 50 KHz
473.725MHz	6 \pm 1dBm	± 50 KHz
474.550MHz	6 \pm 1dBm	± 50 KHz
475.450MHz	6 \pm 1dBm	± 50 KHz
476.275MHz	6 \pm 1dBm	± 50 KHz
477.325MHz	6 \pm 1dBm	± 50 KHz
478.525MHz	6 \pm 1dBm	± 50 KHz
479.875MHz	6 \pm 1dBm	± 50 KHz
481.900MHz	6 \pm 1dBm	± 50 KHz
483.775MHz	6 \pm 1dBm	± 50 KHz
485.125MHz	6 \pm 1dBm	± 50 KHz
486.625MHz	6 \pm 1dBm	± 50 KHz
488.950MHz	6 \pm 1dBm	± 50 KHz