

Five-Year Limited Warranty

CAD Audio hereby warrants that this product will be free of defects in material and workmanship for a period of five years from the date of purchase. In the unlikely event that a defect occurs, CAD will, at its option, either repair or replace with a new unit of equal or greater value. In the event that a suitable replacement is unavailable, CAD Audio may elect to reimburse owner for the cost of local repairs or issue a refund in the amount of the original purchase price. Items must be purchased from an authorized CAD Audio dealer, and the warranty is not transferable from the original owner. Please retain proof of purchase to validate the purchase date and include it with any warranty claim.

This warranty excludes exterior finish or appearance, damage from abuse, misuse of the product, use contrary to CAD's instructions or unauthorized repair. All implied warranties, merchantability, or fitness for a particular purpose is hereby disclaimed and CAD hereby disclaims liability for incidental, special or consequential damages resulting from the use or unavailability of this product.

This warranty gives you specific legal rights and you may have other rights that vary from state to state. Some states do not allow the exclusion or limitation of incidental or consequential damages or limitations on how long an implied warranty lasts, so the above exclusions and limitations may not apply to you.

Note: No other warranty, written or oral is authorized by CAD Audio.

To initiate a warranty claim, please contact American Music and Sound at 1-800-431-2609 to obtain a return authorization number and shipping instructions.

- A return authorization is required for all returns. **RETURNS WITHOUT A PRE-APPROVED RETURN AUTHORIZATION NUMBER WILL BE REFUSED.**
- Please use at least 3 inches of padding surrounding the product for protection during shipment
- Retain your tracking number until your warranty claim has been resolved
- We recommend using an insured shipping method in case of loss or damage during shipment

If outside the United States, contact your local dealer or distributor for warranty details.

PROformance™

The difference is loud and clear

c/o CAD Audio

6573 Cochran Rd., Bldg. I Solon, OH 44139 U.S.A.

Tel: (440) 349-4900 Fax: (440) 248-4904

Sales: 800-762-9266 cadaudio.com

Distributed Worldwide by American Music and Sound

925 Broadbeck Drive, Suite 220

Newbury Park, CA 91320 U.S.A.

Tel: (800) 431-2609 Fax: (800) 431-3129

©2022 CAD Audio Rev00 0922

PROformance™

The difference is loud and clear

PDW-700HH Dual Handheld Digital Wireless System

User Guide



PDW-700HH Dual Handheld Digital Wireless System

Introduction

Thank you for purchasing the PROformance PDW-700HH Dual Handheld Digital Wireless Microphone System. Please read this user guide carefully before using the system to ensure proper use and to avoid the risk of damage or injury.

PROformance products are designed with the input of top studio and live-performance audio professionals. Our products are created to deliver world-class performance on stage and in the studio, even in the most demanding venues. One of our primary objectives has always been to offer high-quality performance tools at an outstanding value. This is why PROformance products typically outperform other brands selling for much more. When you're looking for no-hype, serious audio products, PROformance has you covered. That's why we say "The difference is loud and clear".

The PROformance PDW-700HH delivers reliable, pro-audio performance at an affordable price. From the minute you turn it on, you'll instantly appreciate the smooth, high-resolution, natural sound. You will also appreciate our state-of-the-art digital design that delivers the wireless reliability that professionals demand. PROformance 700 Series wireless systems give you the features, sound and quality construction of wireless units that sell so much more.

The PDW-700HH includes the following features:

- Dual handheld transmitters feature a unidirectional Neodymium dynamic capsule for natural sound, excellent feedback rejection and minimal handling noise
- Receiver features 2 frequency agile independent channels
- Handheld transmitters include on/off, mute function switch and battery level indicator
- UHF frequency band designed for interference-free performance
- Deluxe hard carry case included
- **5 Year Warranty**

Individuals with cardiac pacemakers and other similar medical devices should consult with their physician before using any RF devices. Though the output level of this wireless system is below 50 milliwatts, the proximity of the transmitter to the implant device could pose a threat.

As with any wireless product, environmental conditions can reduce or in some cases prohibit a successful connection between the transmitter and the receiver.

This device complies with Part 15 of the FCC Rules. Most users of CAD Audio wireless products in the United States do not need a license for operation. However, the rules for unlicensed operation state that this device must not operate in excess of 50 milliwatts and it must not cause harmful interference to other wireless devices, and must accept interference received from other devices. Wireless products meeting CAD factory standards adhere to these rules. The FCC reserves the right to change these rules at any time. For more information contact the FCC at 1-888-CALL-FCC (TTY: 1-888-TELL-FCC) or visit the FCC's wireless microphone website at:

www.fcc.gov/cgb/wirelessmicrophones

This device complies with Industry Canada licence-exempt RSS standard(s). Operation is subject to the following two conditions: (1) this device may not cause interference, and (2) this device must accept any interference, including interference that may cause undesired operation of the device.

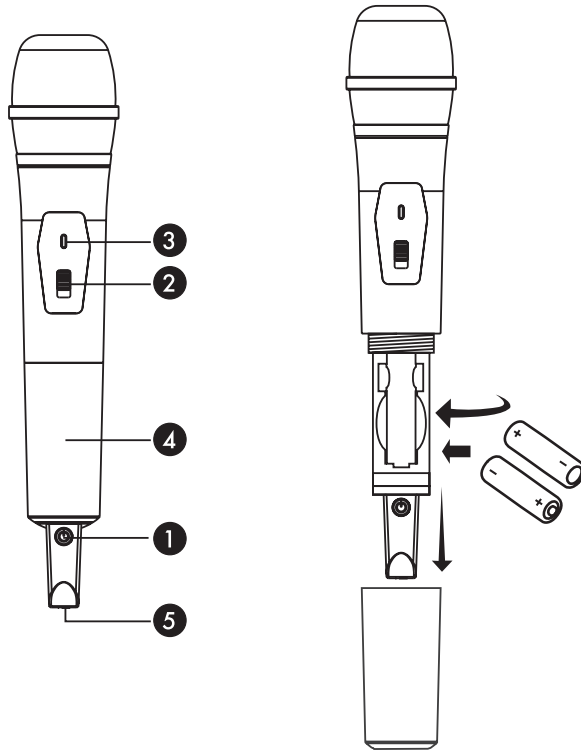
Under Industry Canada regulations, this radio transmitter may only operate using an antenna of a type and maximum (or lesser) gain approved for the transmitter by Industry Canada. To reduce potential radio interference to other users, the antenna type and its gain should be so chosen that the equivalent isotropically radiated power (e.i.r.p.) is not more than that necessary for successful communication.

Conformément à la réglementation d'Industrie Canada, le présent émetteur radio peut fonctionner avec une antenne d'un type et d'un gain maximal (ou inférieur) approuvé pour l'émetteur par Industrie Canada. Dans le but de réduire les risques de brouillage radioélectrique à l'intention des autres utilisateurs, il faut choisir le type d'antenne et son gain de sorte que la puissance isotrope rayonnée équivalente (p.i.r.e.) ne dépasse pas l'intensité nécessaire à l'établissement d'une communication satisfaisante.

Le présent appareil est conforme aux CNR d'Industrie Canada applicables aux appareils radio exempts de licence. L'exploitation est autorisée aux deux conditions suivantes : (1) l'appareil ne doit pas produire de brouillage, et (2) l'utilisateur de l'appareil doit accepter tout brouillage radioélectrique subi, même si le brouillage est susceptible d'en compromettre le fonctionnement.

Handheld PDW-700HH Transmitter

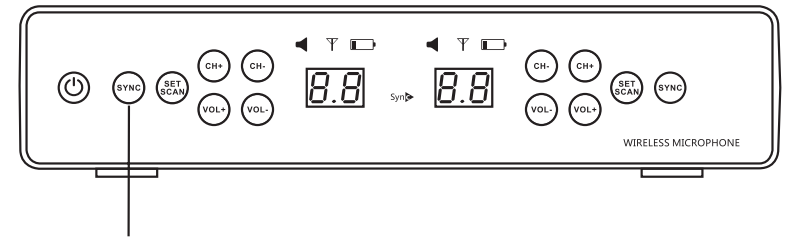
1. Power Switch
2. Mute Switch
3. Audio Signal Indicator
4. Battery compartment
5. Sync Receiver



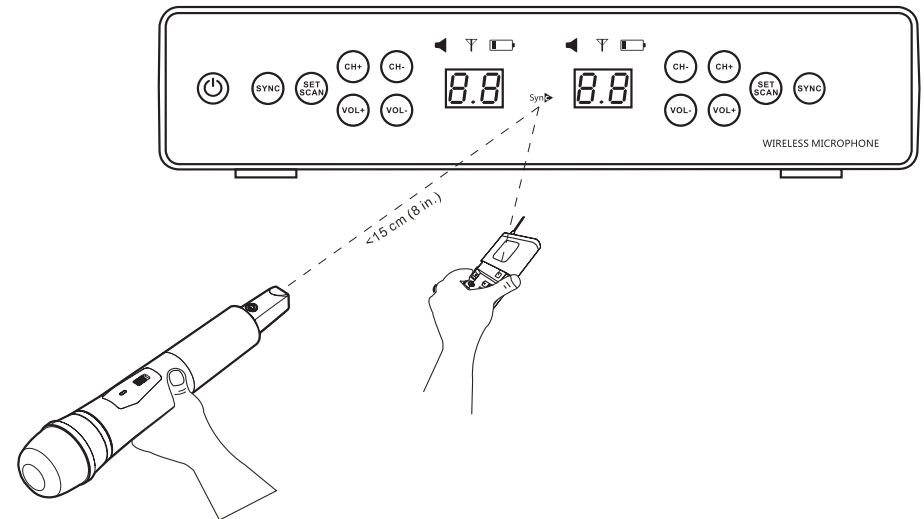
Specifications PDW-700HH Transmitter

Microphone Operating Principle	Dynamic
Microphone Polar Pattern	Cardioid
Frequency Response	50Hz - 20KHz
Max SPL	130dB
Power Requirements	2x AA batteries 1.5V
Battery Life	>10 hours

To Sync the Transmitter to the Receiver:



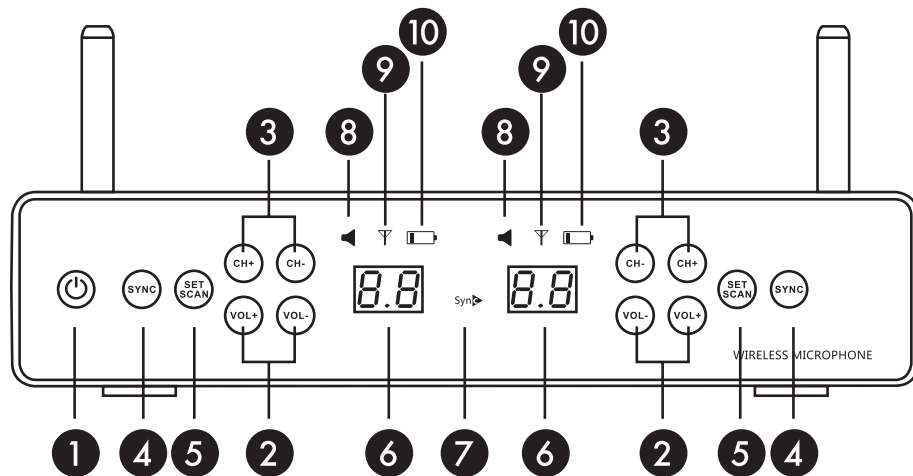
Short-press the "SYNC" button on the receiver, then the "SYNC" icon illuminates and the channel number flashes



Turn on the transmitter, put transmitter IR window close to receiver IR window. The sync operation is complete when the channel number stops flashing and RF signal indicator remains lit.

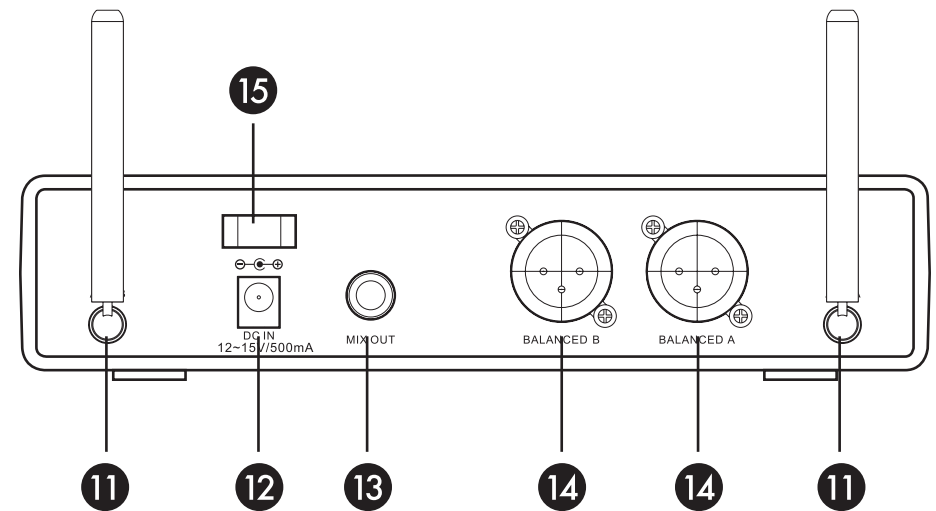
Receiver (Front)

1. Power on/off
2. A/B Volume button
3. A/B Channel button
4. A/B Sync button
5. A/B Scan button
6. A/B Channel display
7. IR sync indicator
8. A/B AF signal indicator
9. A/B RF signal indicator
10. A/B Transmitter battery indicator



Receiver (Rear)

11. A/B Antenna
12. DC power jack
13. Mix out audio output jack
14. A/B Mic out XLR audio output jack
15. Strain relief for power cord



Specifications PDW-700HH Receiver/System

Radio Frequency Range	902MHz – 925MHz
Audio Frequency Response	50Hz - 20KHz
Modulation	DQPSK
Receiver Sensitivity	< -90dBm
Audio Dynamic Range	>90dB(A)
Digital Audio Sampling.....	24 bit/48 KHz
Delay	3ms
Operating Range	up to 200 feet
Audio Output	XLR Balanced output 1/4" (6.3mm) unbalanced mix out
Weight	0.75lb (0.34kg)
Dimensions.....	7.875" x 4.9375" x 1.75" (20cm x 12.5cm x 4.4cm)

RF exposure statement

This equipment complies with the FCC radiation exposure limits set forth for an uncontrolled environment. This transmitter must not be co-located or operating in conjunction with any other antenna or transmitter.

FCC Warning

This device complies with Part 15 of the FCC Rules. Operation is subject to the following two conditions:

(1) This device may not cause harmful interference, and (2) this device must accept any interference received, including interference that may cause undesired operation.

NOTE 1: This equipment has been tested and found to comply with the limits for a Class B digital device, pursuant to part 15 of the FCC Rules. These limits are designed to provide reasonable protection against harmful interference in a residential installation. This equipment generates uses and can radiate radio frequency energy and, if not installed and used in accordance with the instructions, may cause harmful interference to radio communications. However, there is no guarantee that interference will not occur in a particular installation. If this equipment does cause harmful interference to radio or television reception, which can be determined by turning the equipment off and on, the user is encouraged to try to correct the interference by one or more of the following measures:

- Reorient or relocate the receiving antenna.
- Increase the separation between the equipment and receiver.
- Connect the equipment into an outlet on a circuit different from that to which the receiver is connected.
- Consult the dealer or an experienced radio/TV technician for help.

NOTE 2: Any changes or modifications to this unit not expressly approved by the party responsible for compliance could void the user's authority to operate the equipment.