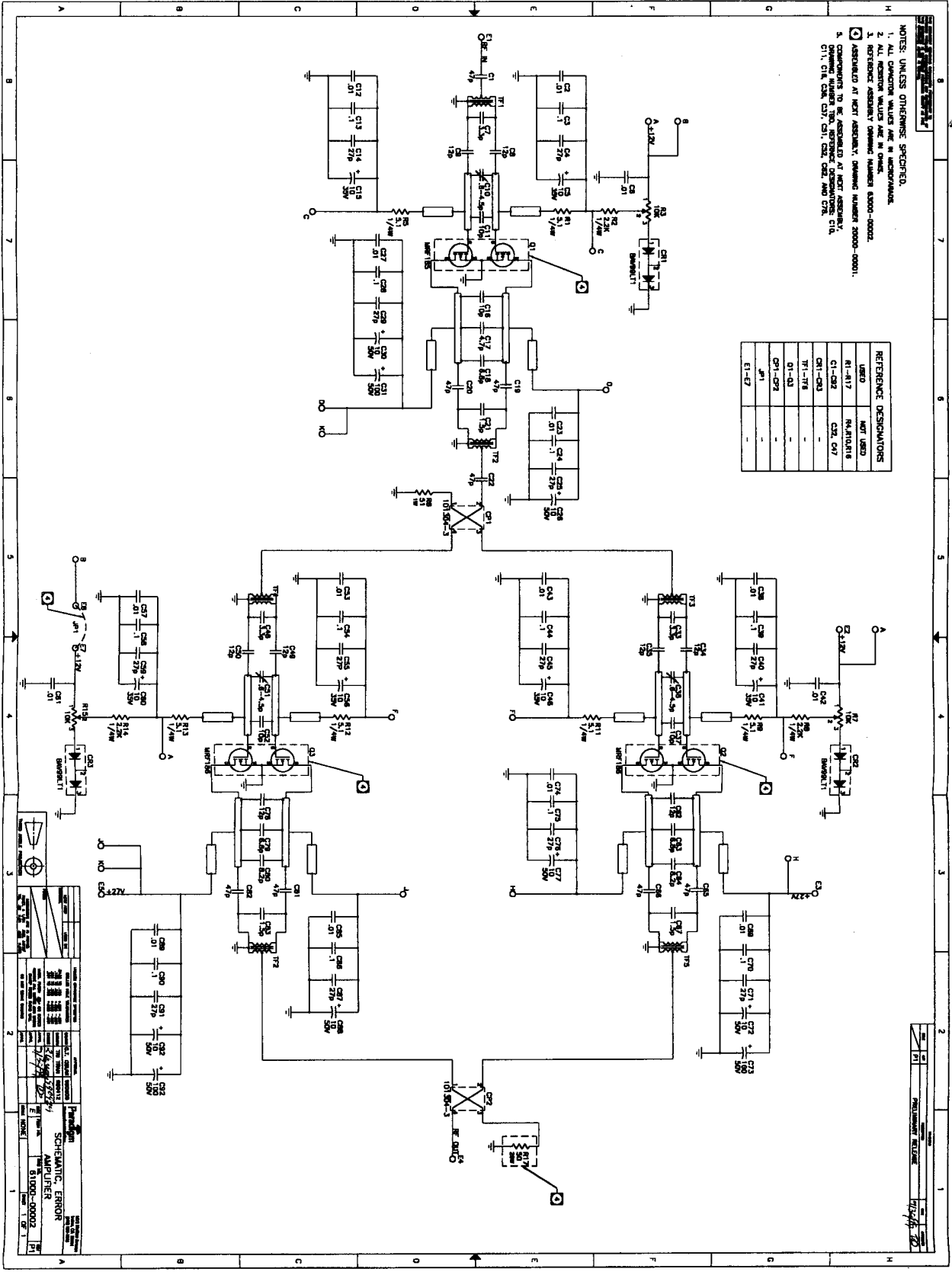


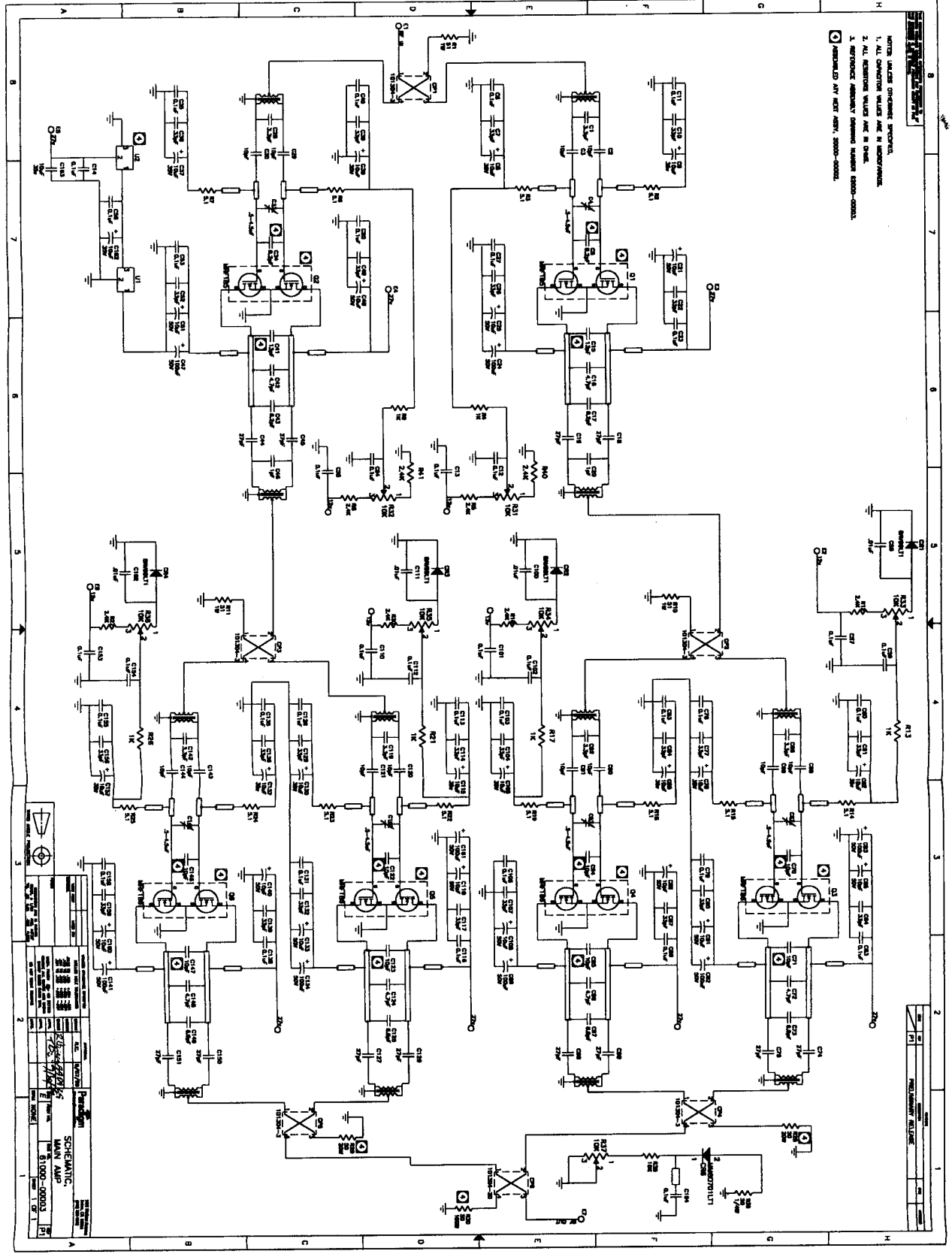
NOTES: UNLESS OTHERWISE SPECIFIED,

1. ALL DIMENSION VALUES ARE IN INCHES.
2. ALL RESISTOR VALUES ARE IN OHMS.
3. REFERENCE ASSEMBLY DRAWING NUMBER 2000-0002.
4. ASSEMBLY AT NEXT ASSEMBLY DRAWING NUMBER 2000-0001.
5. COMPONENTS TO BE ASSEMBLED AT NEXT ASSEMBLY DRAWING NUMBER 2000-0002.
6. DIMENSIONS TO FACE UNLESS OTHERWISE SPECIFIED.
7. DIMENSIONS TO CENTER UNLESS OTHERWISE SPECIFIED.

REFERENCE DESIGNATORS	
USED	NOT USED
R1-R17	RA-R10A18
C1-C82	C83-C97
CR1-CR3	
TR1-TR8	
Q1-Q2	
Q1-CR2	
Q1	
Q1-C7	



DATE	1/15/54	BY	W. J. SCHMIDT
REV.	1	DESCRIPTION	SCHEMATIC, ENFOR
			AMPLIFIER
			51000-00002
			1/1



NOTES: UNLESS OTHERWISE SPECIFIED:
 1. ALL DIMENSIONS UNLESS NOTED OTHERWISE.
 2. ALL DIMENSIONS UNLESS NOTED OTHERWISE.
 3. REFERENCE DIMENSIONS UNLESS NOTED OTHERWISE.
 4. DIMENSIONS ARE IN INCHES UNLESS NOTED OTHERWISE.

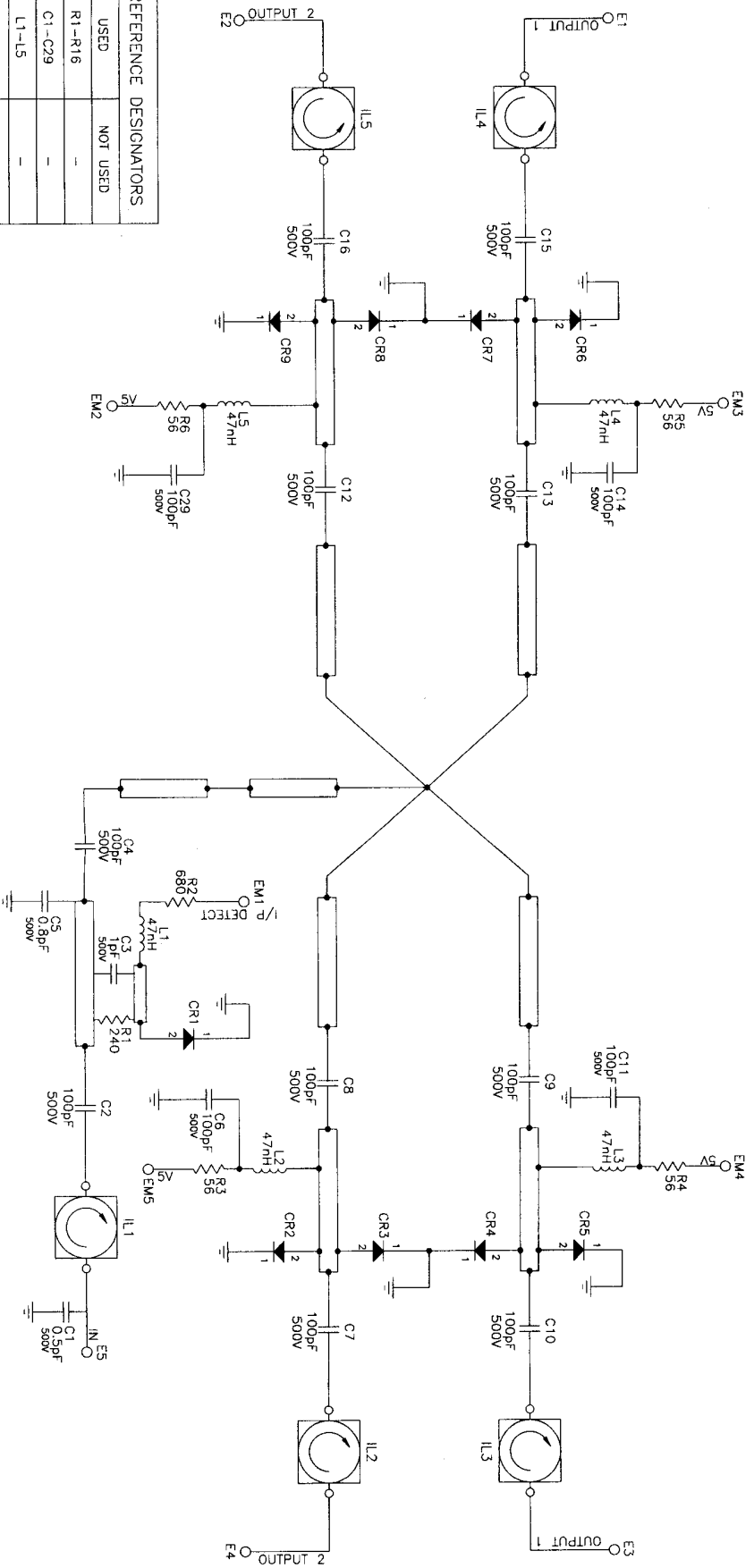
TITLE: MAIN ALARM DRAWING NO.: 81000-00003 REV: 1		PROJECT NO.: DRAWING NO.: REV:	
DESIGNER: [Signature] CHECKED: [Signature] APPROVED: [Signature]		DATE: [Date] SCALE:	

REV	DESCRIPTION	DATE
1	INITIAL DESIGN	
2	REVISED	

THIS DOCUMENT CONTAINS INFORMATION RELAYED TO YOU BY THE NATIONAL SECURITY AGENCY. IT IS UNCLASSIFIED EXCEPT WHERE SHOWN OTHERWISE.

DATE	BY	REVISION
24C	P1	PRELIMINARY RELEASE

- NOTES: UNLESS OTHERWISE SPECIFIED.
1. ALL CAPACITOR VALUES ARE IN MICROFARADS.
 2. ALL RESISTOR VALUES ARE IN OHMS.
 3. REFERENCE ASSEMBLY DRAWING NUMBER 63000-00004.
 4. ASSEMBLED AT NEXT ASSEMBLY, DRAWING NUMBER 20000-00001.



REFERENCE DESIGNATORS	USED	NOT USED
R1-R16	-	-
C1-C29	-	-
L1-L5	-	-
CR1-CR15	-	-
IL1-IL5	-	-
RL1-RL4	-	-
EM1-EM13	-	-
E1-E12	-	-

UNLESS OTHERWISE SPECIFIED
DIMENSIONS ARE IN INCHES
DIMENSIONS ARE IN MILLIMETERS

DATE	BY	REVISION
24C	P1	PRELIMINARY RELEASE

THIRD ANGLE PROJECTION

Paradigm
1877 Redwood Avenue
Hayward, CA 94514
(415) 286-1800

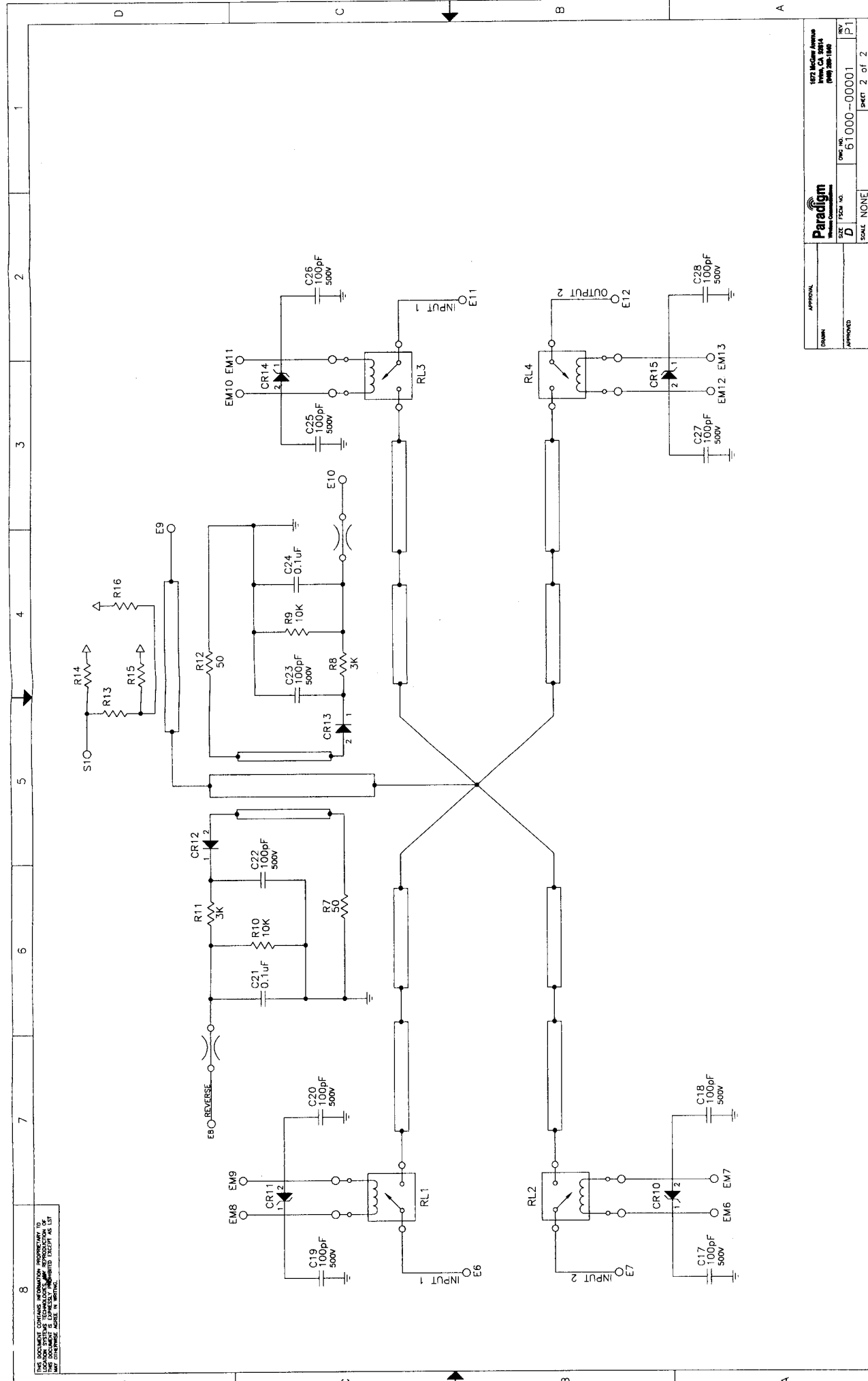
SCHEMATIC, 4-WAY
SPLITTER/COMBINER

DATE: 6/10/99
SCALE: NONE

APPROVAL: [Signature]
DESIGN: [Signature]
CHECK: [Signature]
DATE: 7/20/99

SCALE: NONE

SHEET 1 OF 2



THIS DOCUMENT CONTAINS INFORMATION PROPRIETARY TO PARADIGM CORPORATION. IT IS TO BE KEPT UNCLASSIFIED EXCEPT AS LISTED. THIS DOCUMENT IS UNCLASSIFIED EXCEPT AS LISTED. UNCLASSIFIED EXCEPT AS LISTED.

APPROVAL	1672 McGraw Avenue Irvine, CA 92614 (949) 266-1600	REV	P1
DRAWN		DWG NO.	61000-00001
APPROVED		SCALE	NONE
			SHEET 2 of 2