



A subsidiary of ASSA Industries, LLC

VTRAN-2500 CIRCUIT SCHEMATICS

PREPARED BY:

Kamil Agi, *President*
K&A Wireless, LLC
6212B Antigua NE
Albuquerque, NM 87111
(505) 237-0847 (Phone)
(505) 237-0873 (Fax)
kagi@ka-wireless.com

THE INFORMATION CONTAINED WITHIN THIS DOCUMENT IS CONSIDERED PROPRIETARY AND SHOULD BE TREATED AS SUCH. THE DOCUMENT WAS PREPARED FOR THE FEDERAL COMMUNICATIONS COMMISSION AND WAS NOT INTENDED FOR DISTRIBUTION.

Table Of Contents

VTRAN-2500 CIRCUIT SCHEMATICS 1

TABLE OF CONTENTS 2

TRANSMITTER ANALOG TO DIGITAL CONVERTER CIRCUIT SCHEMATIC..... 3

RECEIVER DIGITAL TO ANALOG CONVERTER CIRCUIT SCHEMATIC 4

POWER AMPLIFIER CIRCUIT SCHEMATIC 5

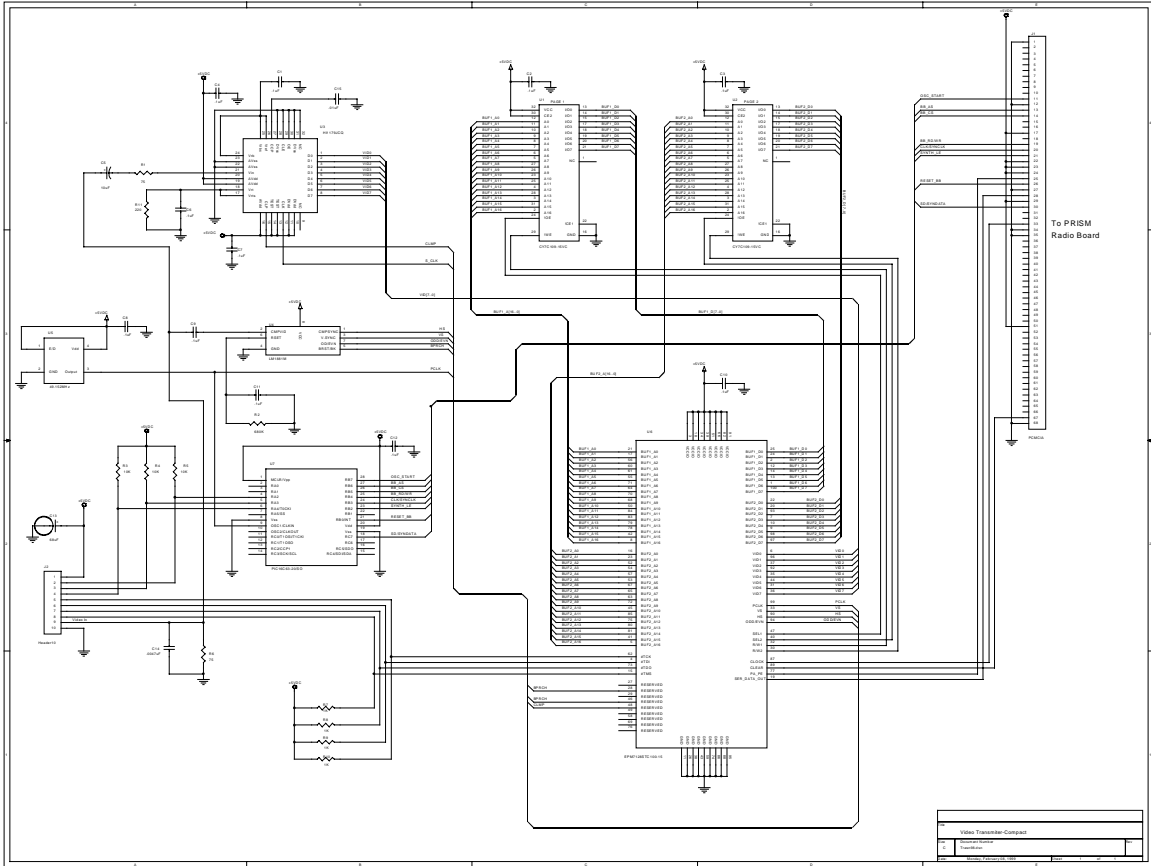
POWER SUPPLY SCHEMATICS 6

Gate Regulator Schematic 6

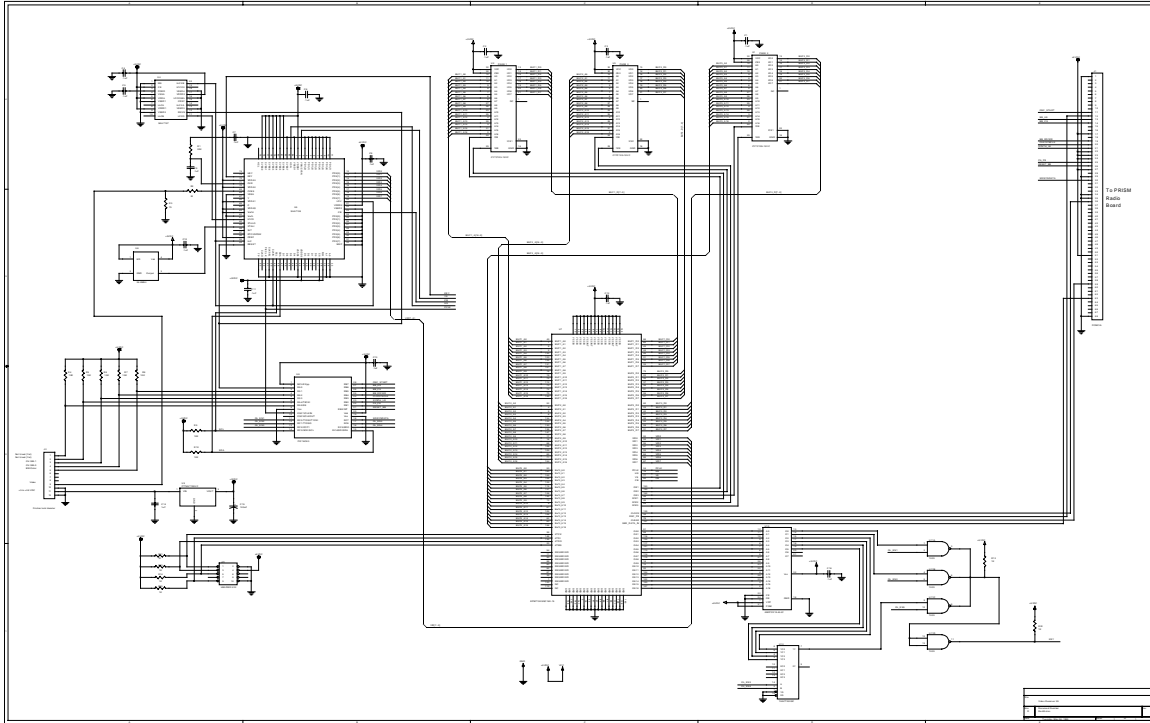
Linear Regulator Schematic 7

Switching Regulator Schematic 8

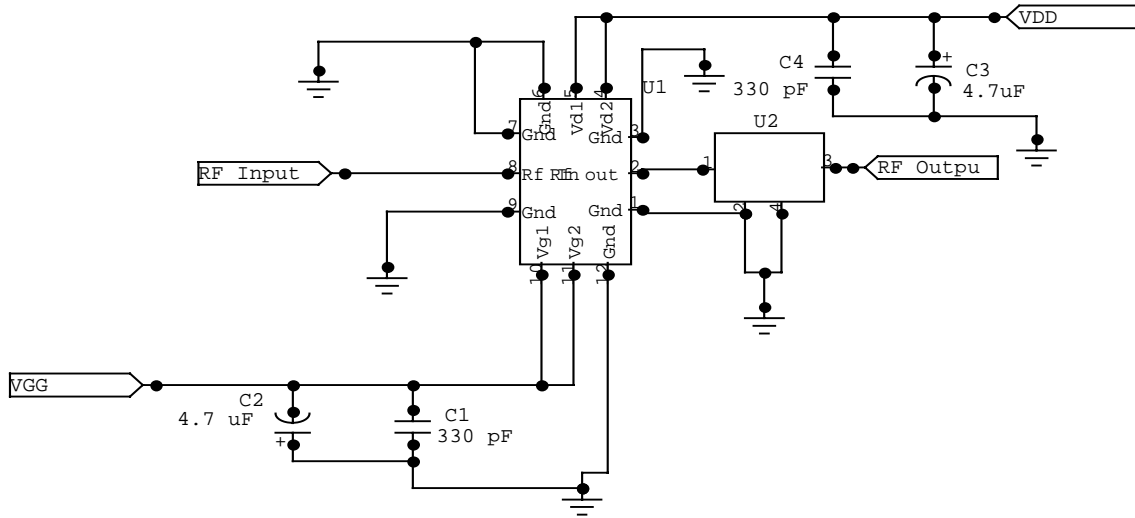
Transmitter Analog to Digital Converter Circuit Schematic



Receiver Digital to Analog Converter Circuit Schematic

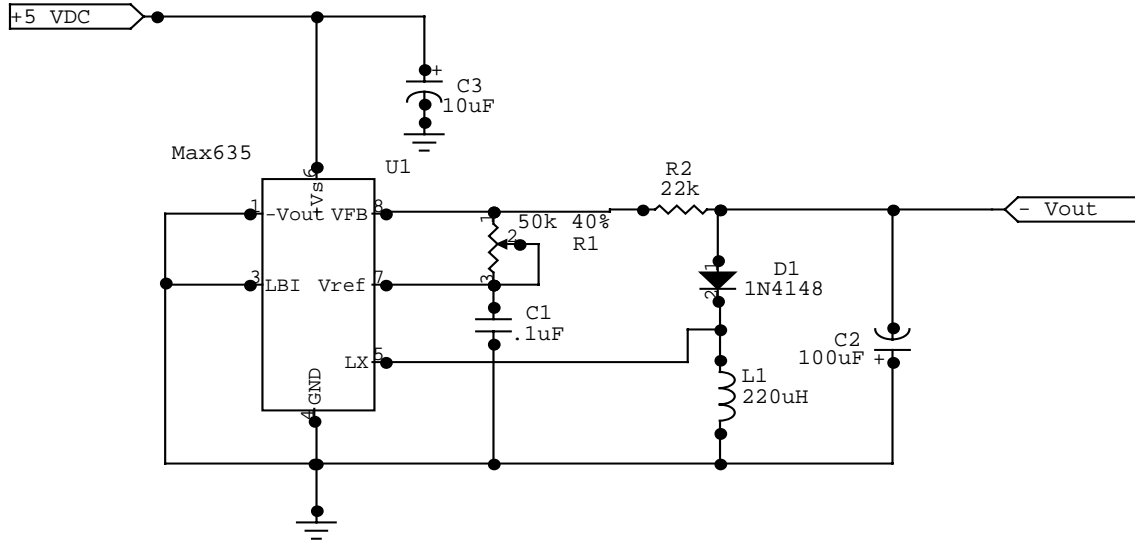


Power Amplifier Circuit Schematic

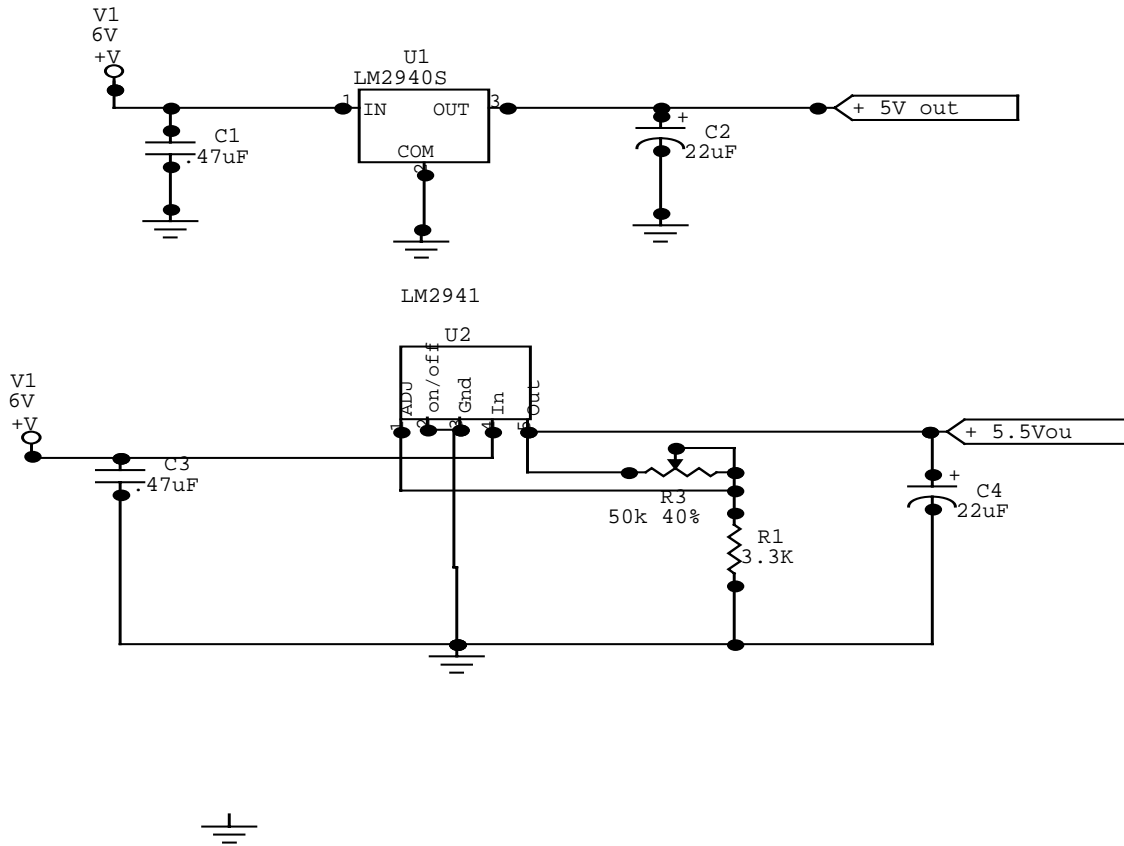


Power Supply Schematics

Gate Regulator Schematic



Linear Regulator Schematic



Switching Regulator Schematic

