



A subsidiary of ASSA Industries, LLC

VTRAN-2500 BLOCK DIAGRAMS

PREPARED BY:

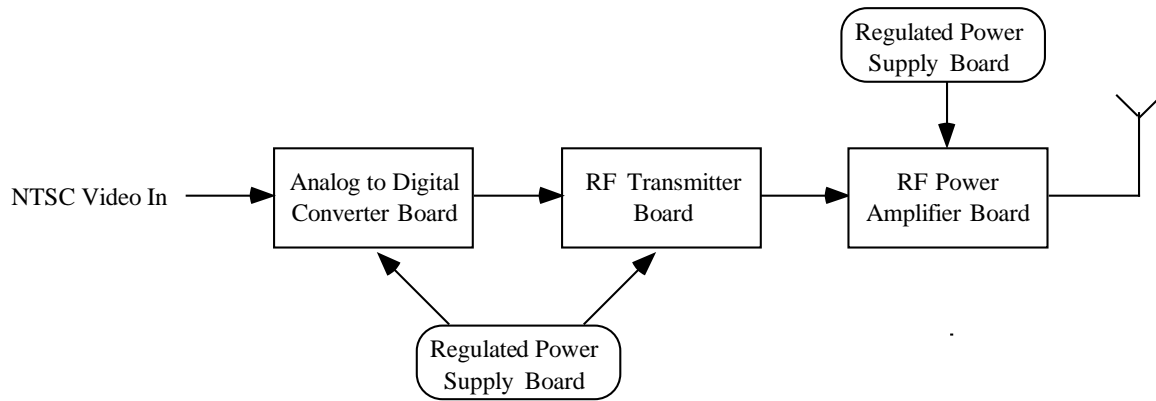
Kamil Agi, *President*
K&A Wireless, LLC
6212B Antigua NE
Albuquerque, NM 87111
(505) 237-0847 (Phone)
(505) 237-0873 (Fax)
kagi@ka-wireless.com

THE INFORMATION CONTAINED WITHIN THIS DOCUMENT IS CONSIDERED CONFIDENTIAL AND SHOULD BE TREATED AS SUCH. THE DOCUMENT WAS PREPARED FOR THE FEDERAL COMMUNICATIONS COMMISSION AND WAS NOT INTENDED FOR DISTRIBUTION.

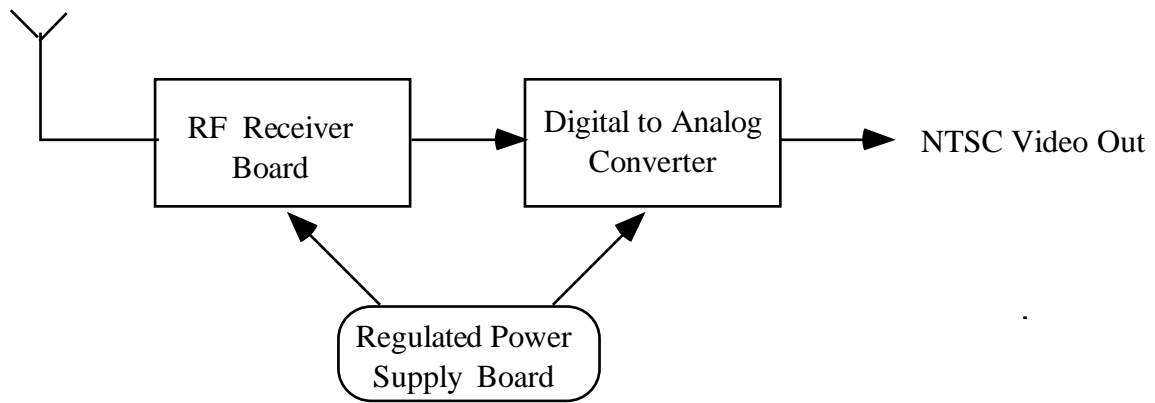
Table of Contents

<i>VTRAN-2500 BLOCK DIAGRAMS</i> _____	<i>1</i>
Table of Contents _____	2
Top-Level Transmitter Block Diagram _____	3
Top-Level Receiver Block Diagram _____	3
Transmitter Analog to Digital Converter Block Diagram _____	4
RF Transmitter Board Block Diagram _____	4
RF Amplifier Board Block Diagram _____	4
RF Receiver Board Block Diagram _____	5
Receiver Digital To Analog Converter Board Block Diagram _____	5

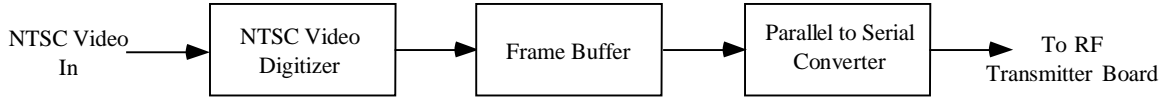
Top-Level Transmitter Block Diagram



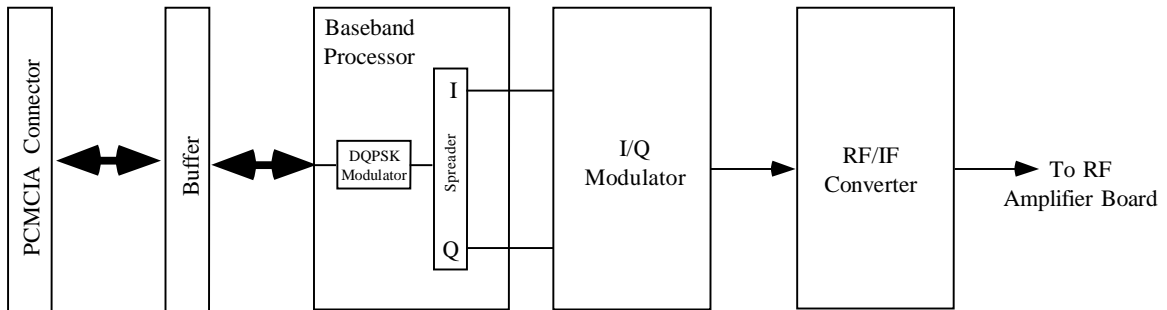
Top-Level Receiver Block Diagram



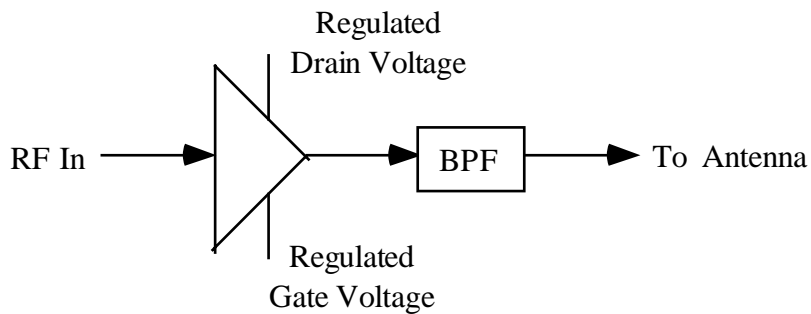
Transmitter Analog to Digital Converter Block Diagram



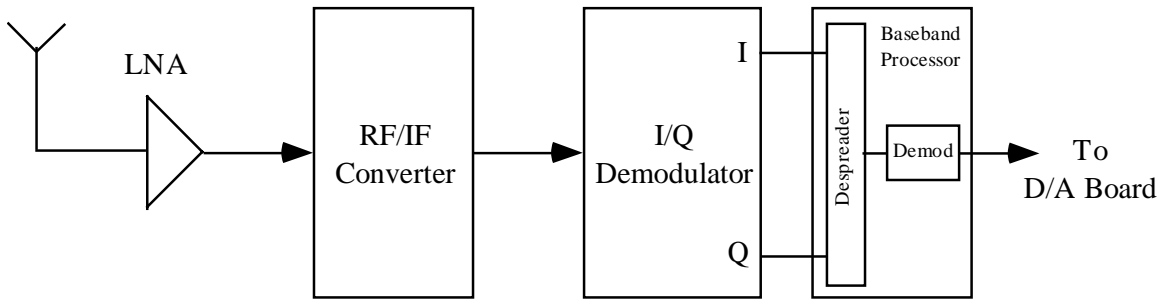
RF Transmitter Board Block Diagram



RF Amplifier Board Block Diagram



RF Receiver Board Block Diagram



Receiver Digital To Analog Converter Board Block Diagram

