

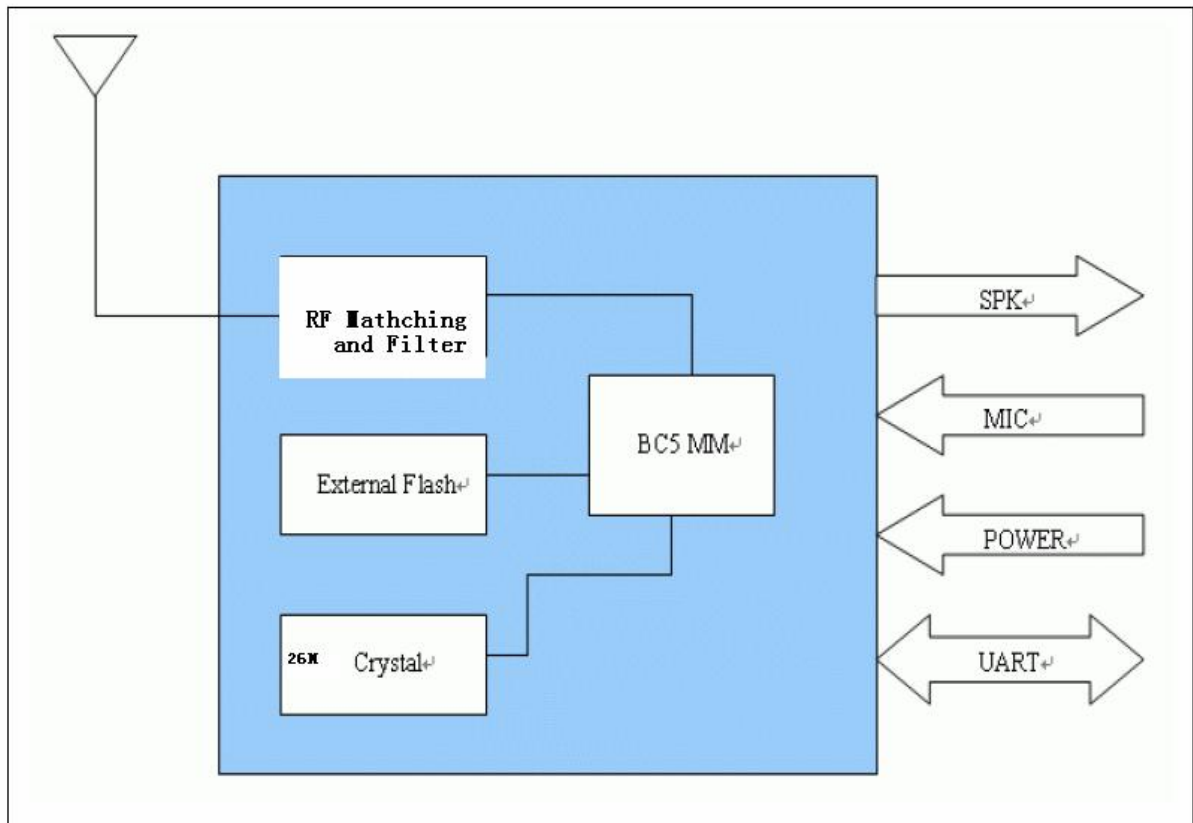
MODEL:	MS201357/A	DRAWING NO:	MS201357/A-8001-00
PART NAME:	MS201357/A BLOCK DIAGRAM	REV:	
DES./DATE:	CSO 18/11/2011	DATE:	03
CHK./DATE:		DATE:	04
APP./DATE:			

FILE NO:

BT-MC56-YG1 RF Module Block

Block Diagram

2402~2480MHz



2 Functional Block Diagram

