

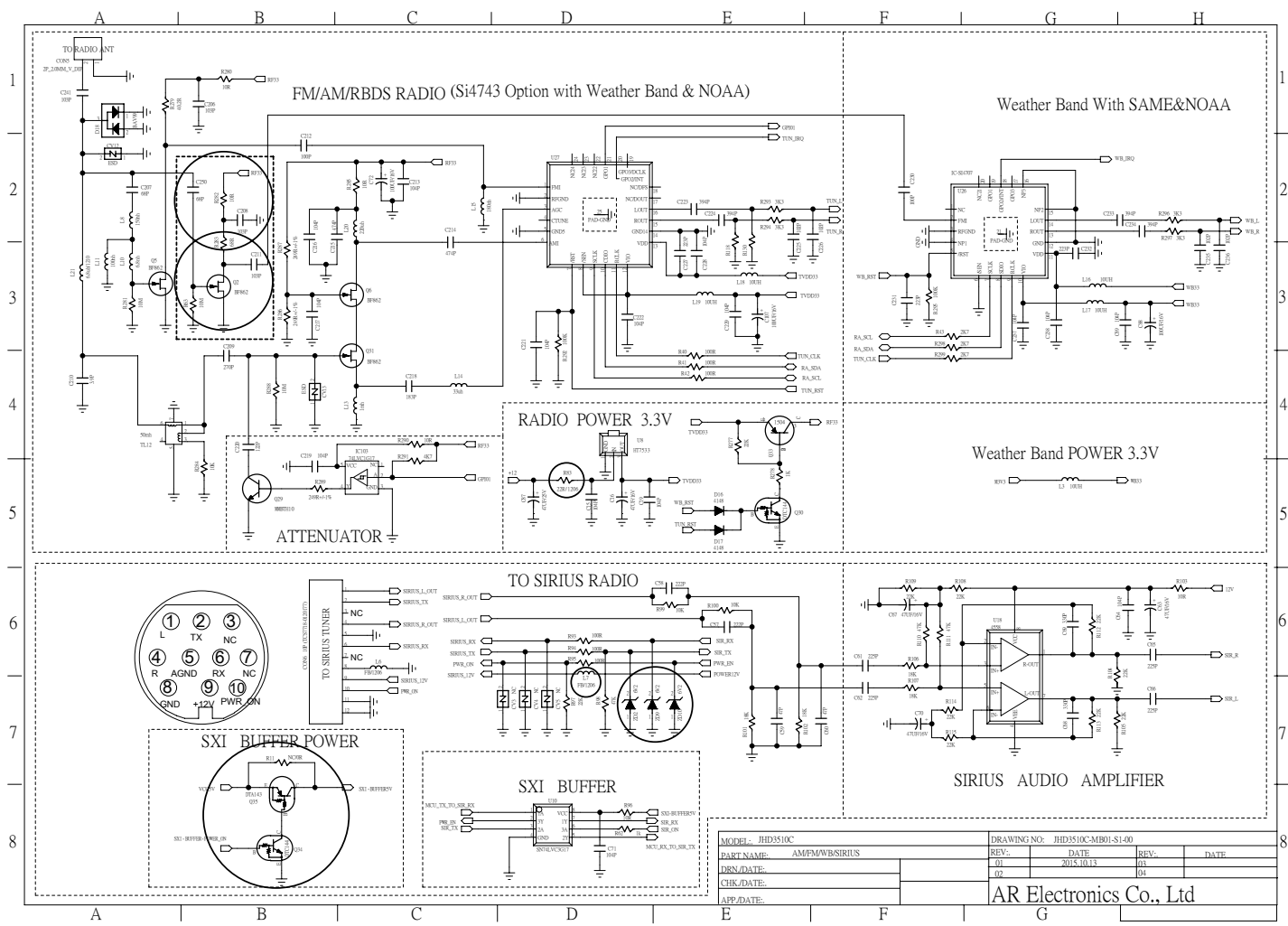
INDEX PLACEMENT

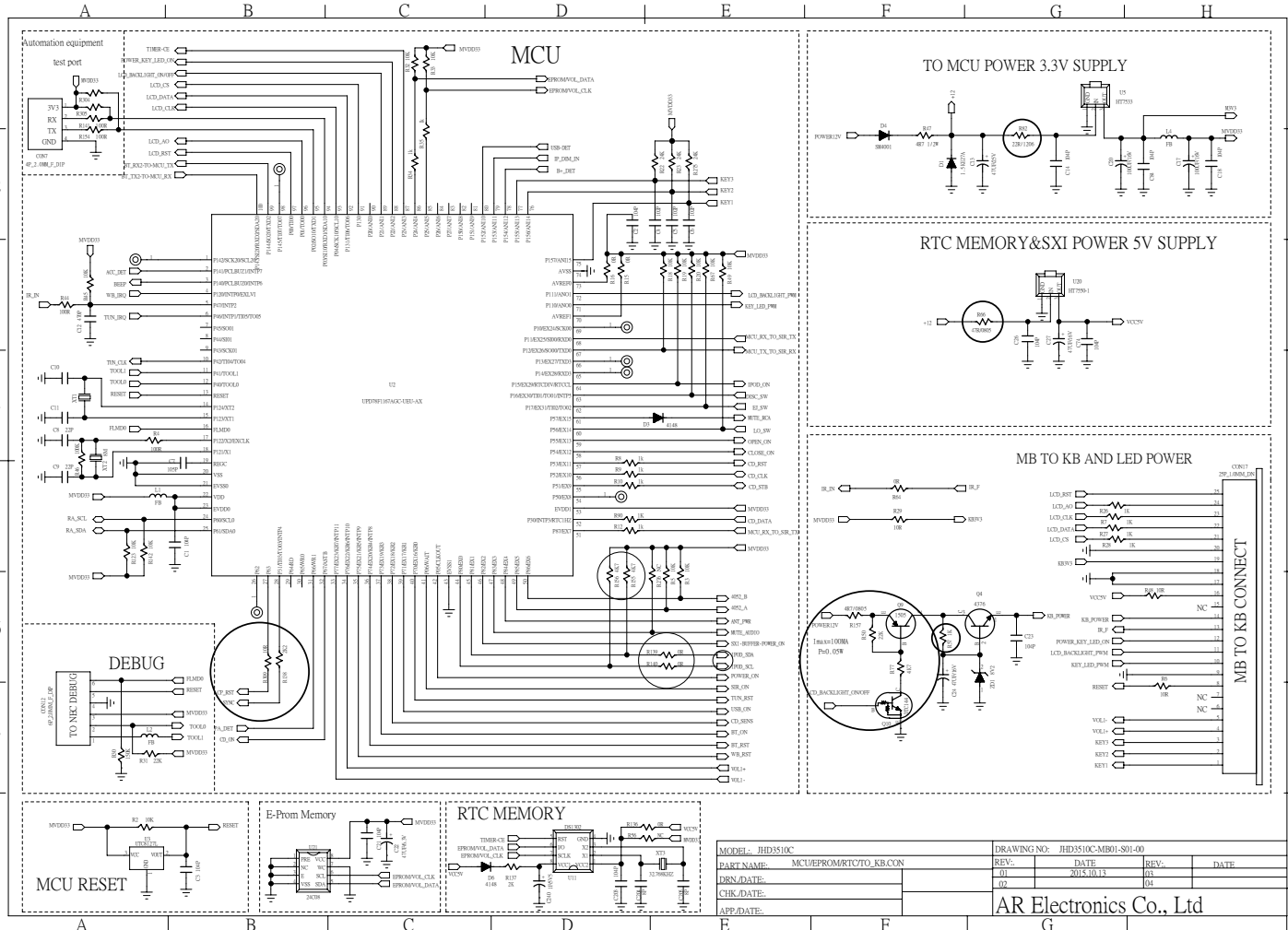
MARK	DESCRIPTION
A	AUDIO SECTION
B	DC SUPPLY SECTION
E	EXT.REMOTE
F	USB SECTION
G	SIRIUS SECTION
IP	IPOD SECTION
J	JENSEN BUS SECTION
K	FRONT BOARD SECTION
M	MCU SECTION
N	CONNECT SECTION
P	PA SECTION
S	SD CARD SECTION
T	RADIO TUNER SECTION
V	CD/DVD SECTION
W	SUB_WOOFER

- 01 : INDEX_PLACEMENT
- 02: AM/FM/WB/SIRIUS
- 03 : MCU/EPROM/RTC MEMORY/TO KB CON
- 04: POWER/AUDIO_AMP/F/R.RCA
- 05: USB/IPOD/CD_CONNECT/SD/ Bluetooth
- 06: JENSEN_BUS/PA
- 07: AUDIO SWITCH

note:
mark in front of the component indicate
the meaning in the schematics.

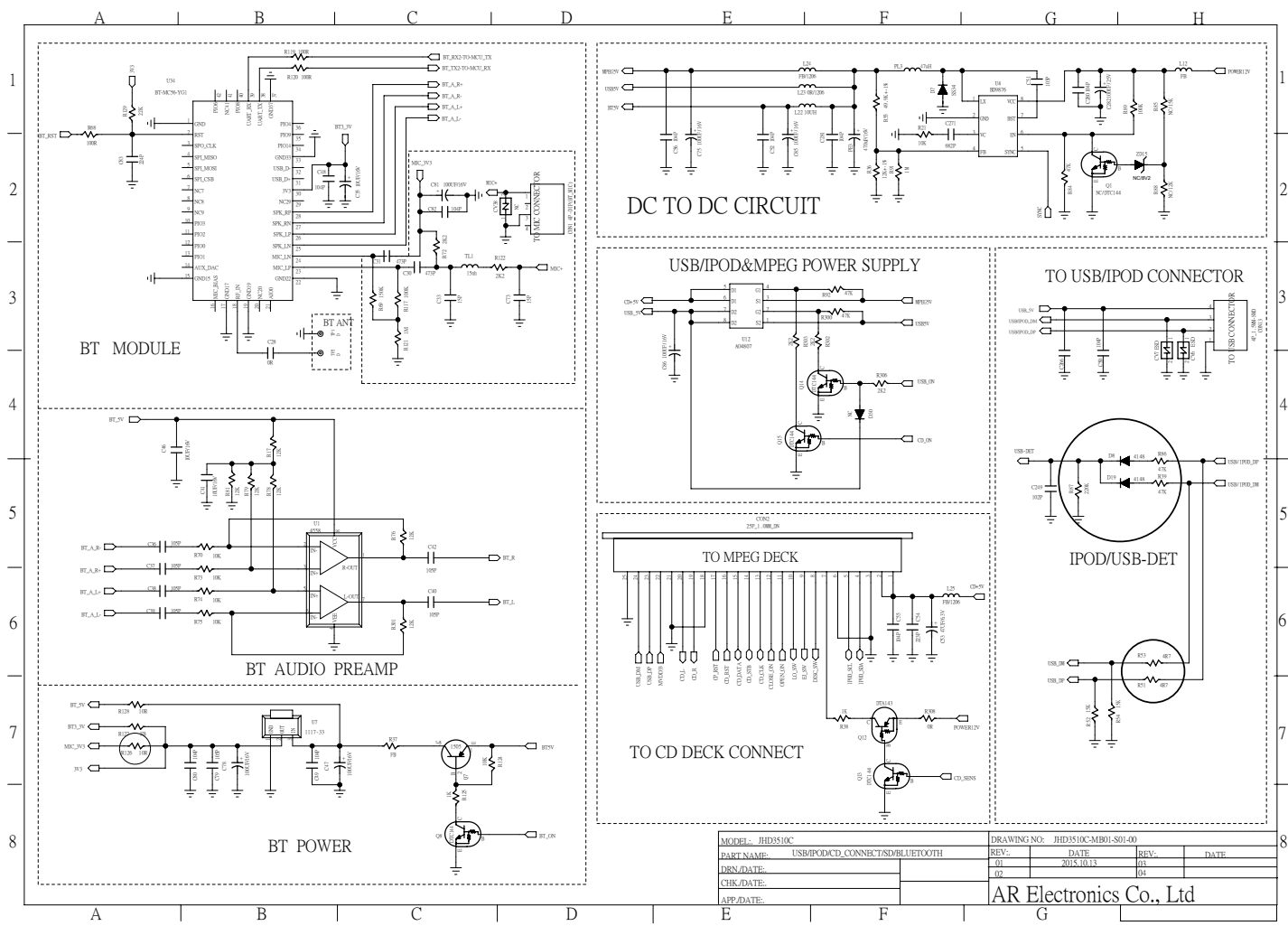
MODEL: JHD3510C	DRAWING NO: JHD3510C-MB01-S01-00		
PART NAME: INDEX_PLACEMENT	REV: 01	DATE:	REV: 03
DESIGNER:	02		04
CHK/DATE:	AR Electronics Co., Ltd		
APP/DATE:			





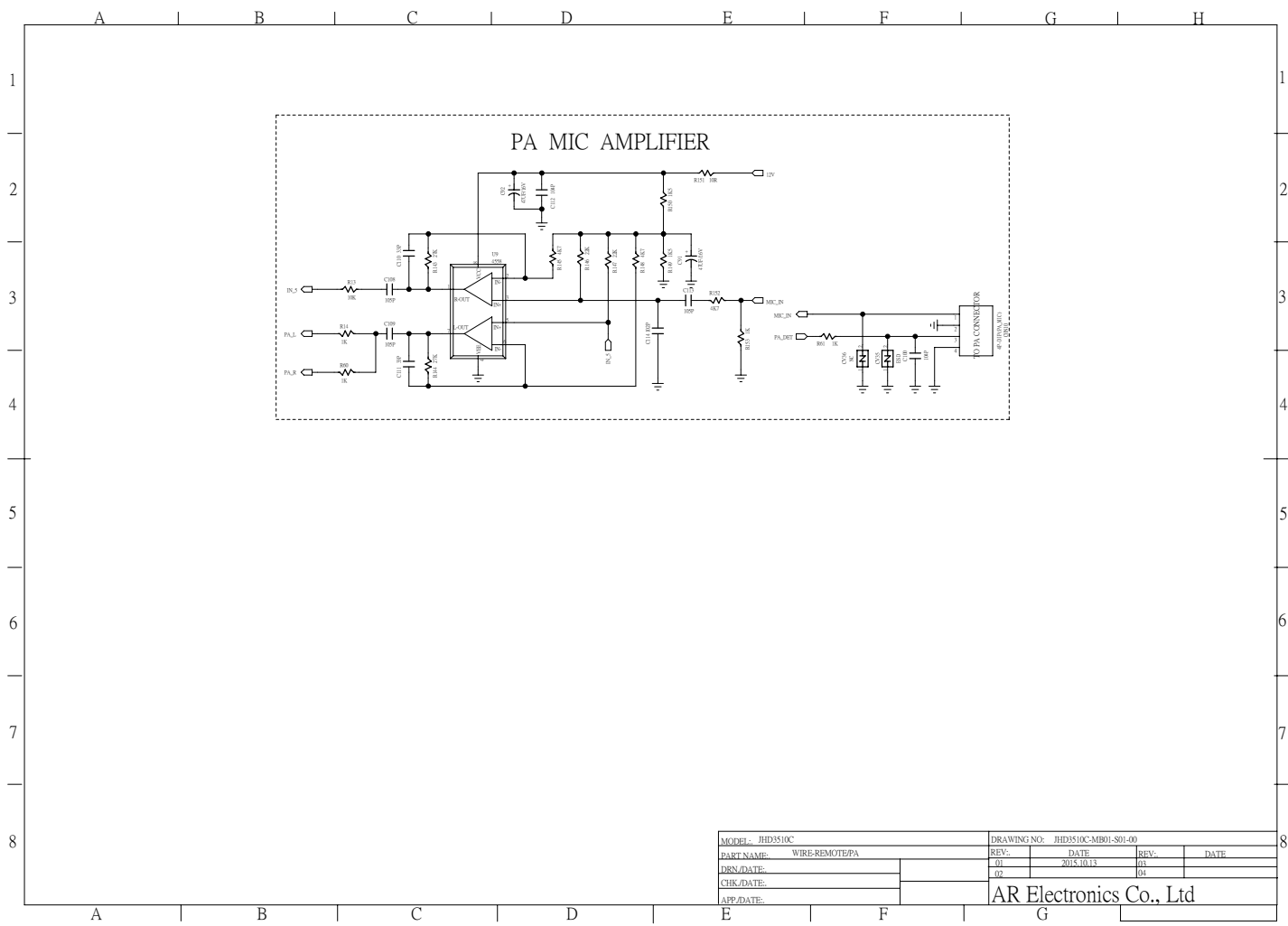
MODEL: JHD3510C
 PART NAME: MCU/EPROM/RTC/TO_KB/CON
 DSN/DATE:
 CHK/DATE:
 APP/DATE:

DRAWING NO: JHD3510C-MB01-S01-00
 REV: 01 DATE: 2015.10.11 REV: 04 DATE:
 AR Electronics Co., Ltd



MODEL:	JHD3510C	DRAWING NO:	JHD3510C-MB01-S01-00
PART NAME:	USB/IPOD/CD_CONNECT/SD/BLUETOOTH	REV:	DATE
DESIGN DATE:		01	2015.10.13
CHK DATE:		02	
APP DATE:			

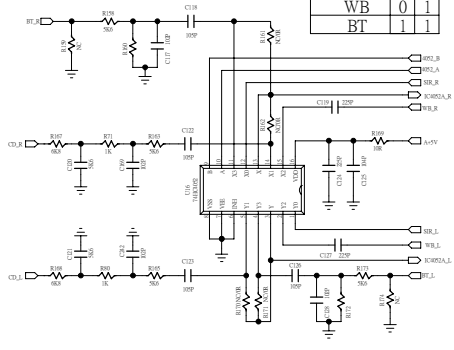
AR Electronics Co., Ltd



MODEL: JHD3510C	DRAWING NO: JHD3510C-MB01-S01-00		
PART NAME: WIRE-REMOTE-PA	REV: 01	DATE: 2015.10.13	REV: 03
DESIGNER: []	02		04
CHKR/DATE: []	AR Electronics Co., Ltd		
APP/DATE: []			

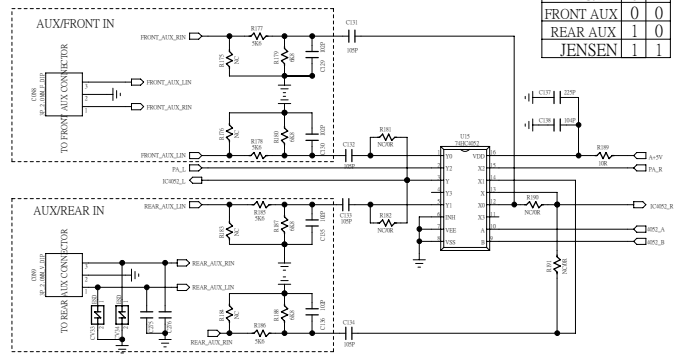
CD/SIRIUS/WB/BT AUDIO SWITCH

MODEL	4052	
	A	B
CD	1	0
SIRIUS	0	0
WB	0	1
BT	1	1



MIC/FRONT AUX/REAR AUX/JENSEN AUDIO SWITCH

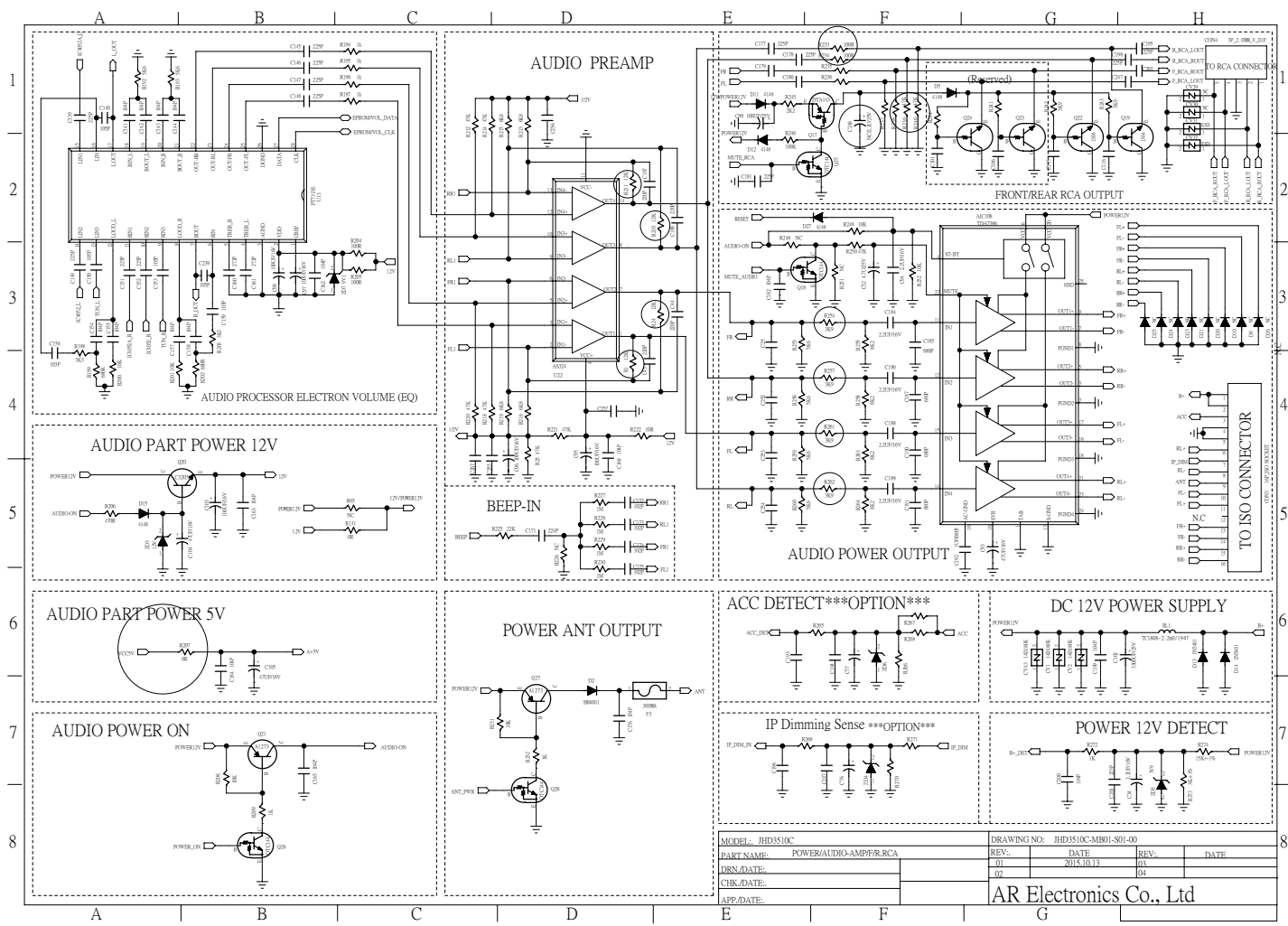
MODEL	4052	
	A	B
MIC/PA	0	1
FRONT AUX	0	0
REAR AUX	1	0
JENSEN	1	1



MARK

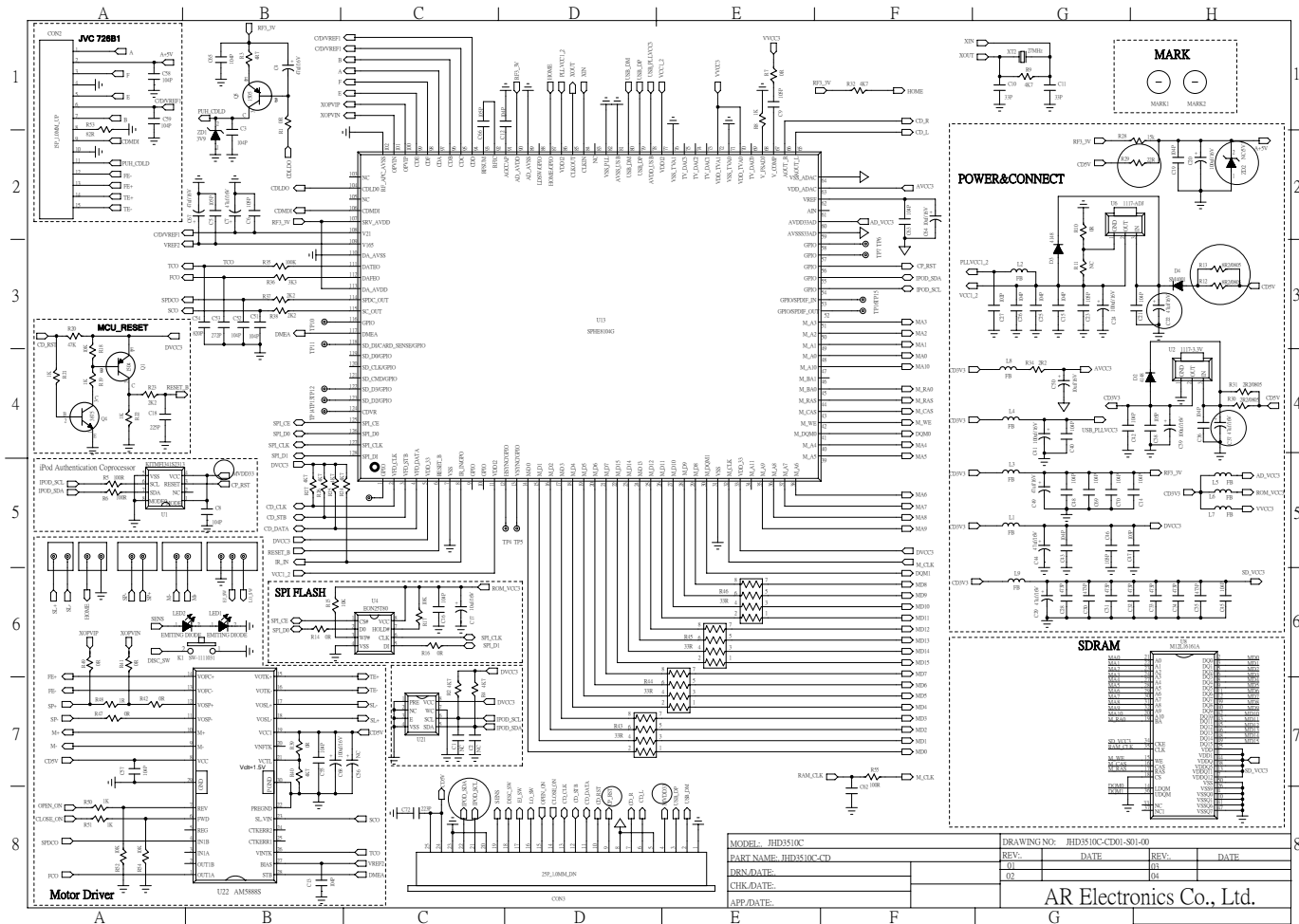


MODEL: JHD3510C	DRAWING NO: JHD3510C-MB01-S01-00			
PART NAME: AUDIO_SWITC	REV: 01	DATE: 2015.10.13	REV: 01	DATE:
DRN/DATE: 02			04	
CHK/DATE:	AR Electronics Co., Ltd			
APP/DATE:				



MODEL: JHD3510C	DRAWING NO: JHD3510C-MB01-S01-00		
PART NAME: POWER/AUDIO-AMP/FR/RCA	REV: 01	DATE: 2015.10.11	REV: 03
DRAWN DATE:	02		04
CHECK DATE:			
APP DATE:			

AR Electronics Co., Ltd



TO MB CONNECT