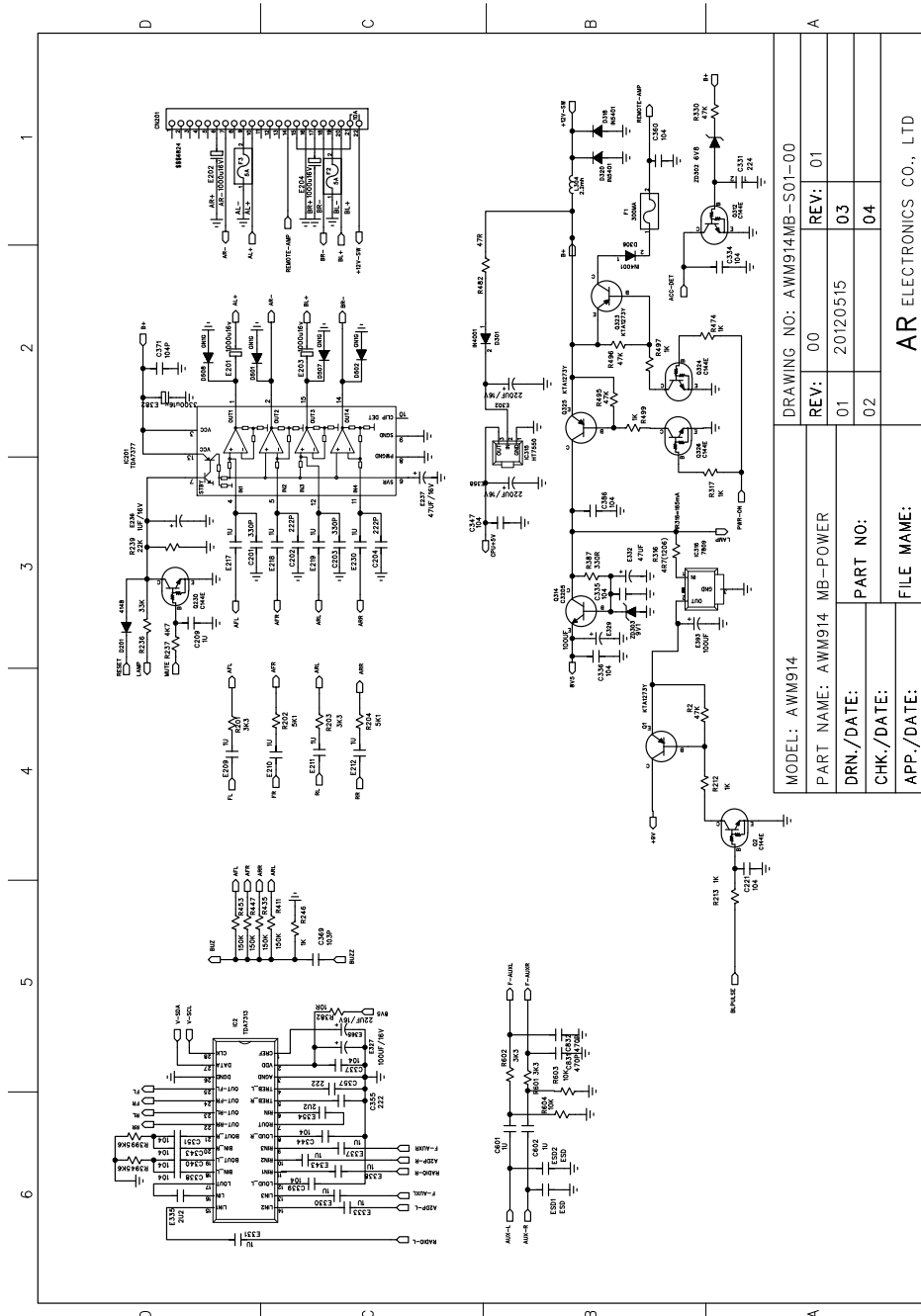


MODEL: AWM914		DRAWING NO: AWM914 KB-S04-00	
PART NAME: AWM914		REV: 00	REV: 00
DRN./DATE:	PART NO:	01	2012-05-15 03
CHK./DATE:		02	
APP./DATE:	FILE NAME:	ARELECTRONICS CO., LTD	

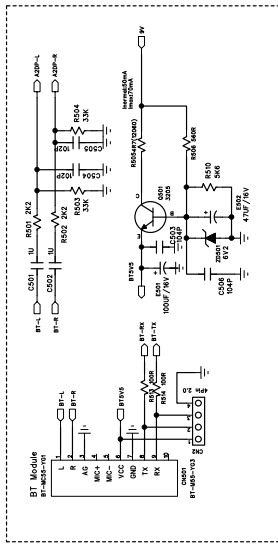
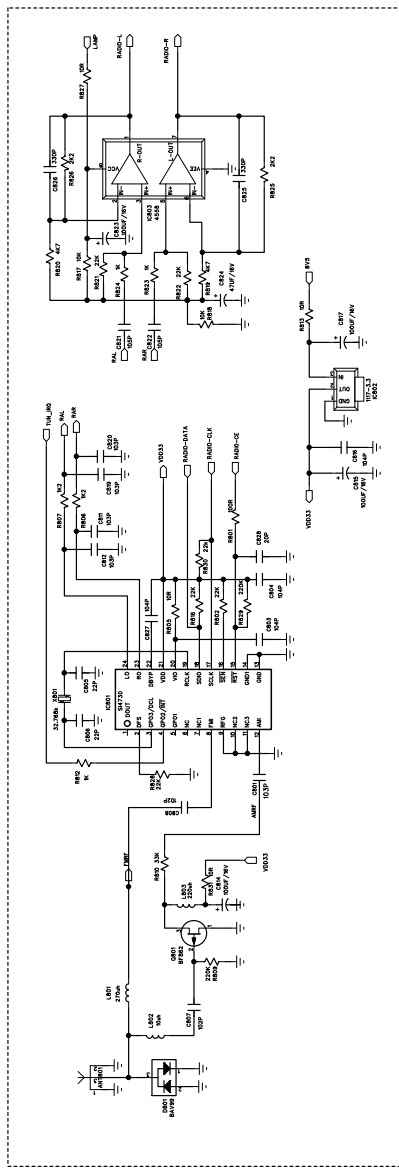


DRAWING NO: AWM914MB-S01-00	
REV: 00	REV: 01
DRN./DATE: 01 20120515	03
CHK./DATE: 02	04
APP./DATE:	FILE NAME:
AR ELECTRONICS CO., LTD	

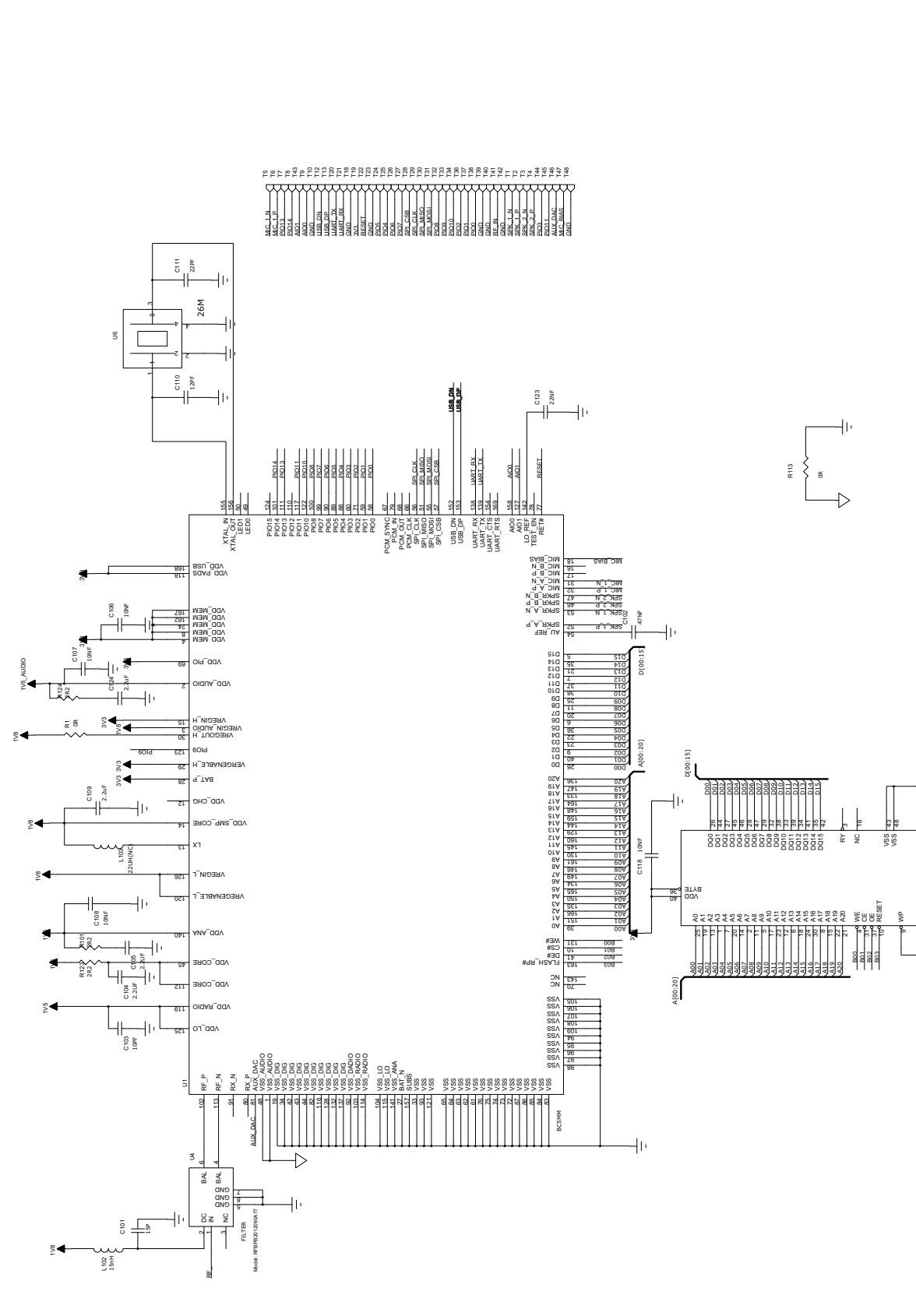
6 5 4 3 2 1

D C B A

6 5 4 3 2 1



MODEL: AWM914		DRAWING NO: AWM914 MB-SQ2-00	
PART NAME: AWM914 MB-RADIO		REV: 00	REV: 01
DRN./DATE:		01	20120515
CHK./DATE:		02	04
APP./DATE:		FILE NAME: AR ELECTRONICS CO., LTD	



MODEL NO :BT-MC56-YG1		SHEET		REVISION V1.0	
DESCRIPTION		DRAWN BY		CHECKED BY	
CODE NO		TECHNICS BY		APPROVED BY	