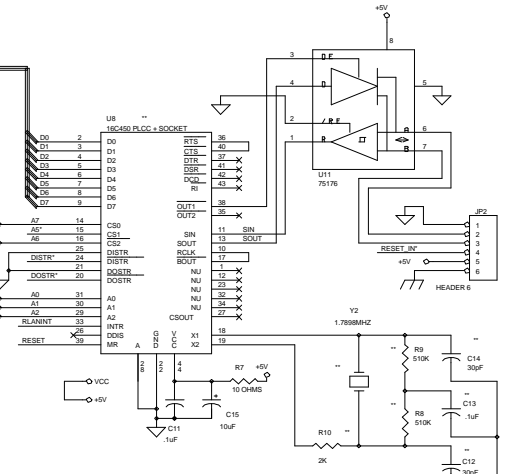
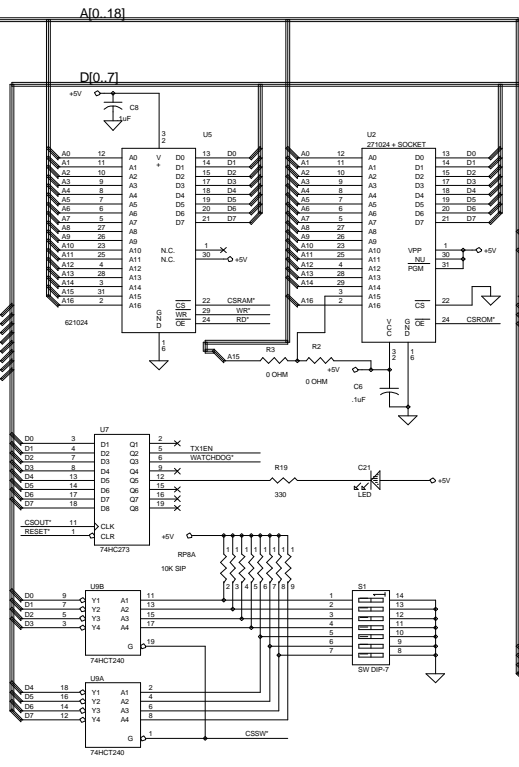
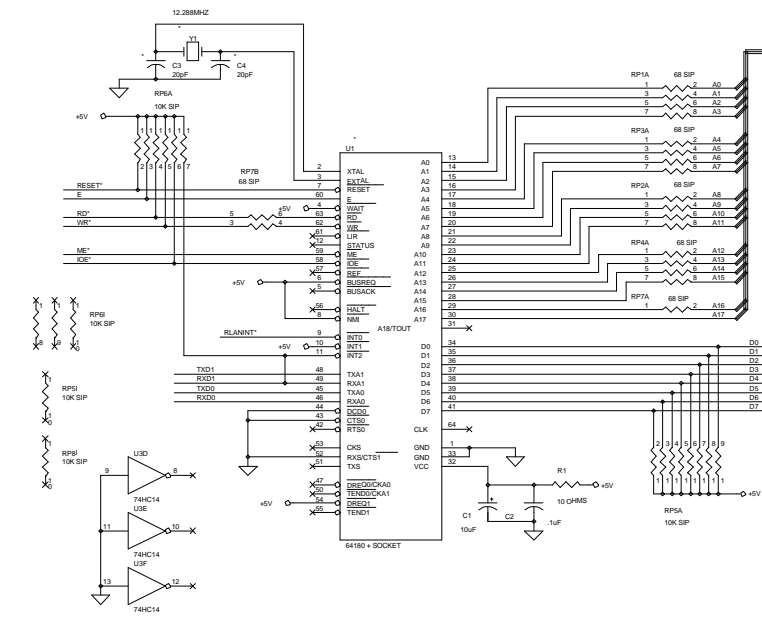
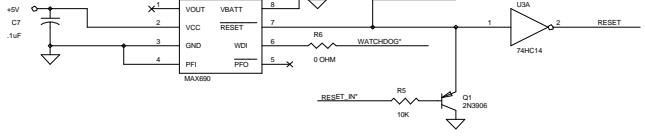


REV	DESCRIPTION	APPD BY

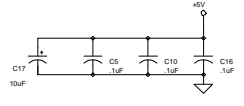
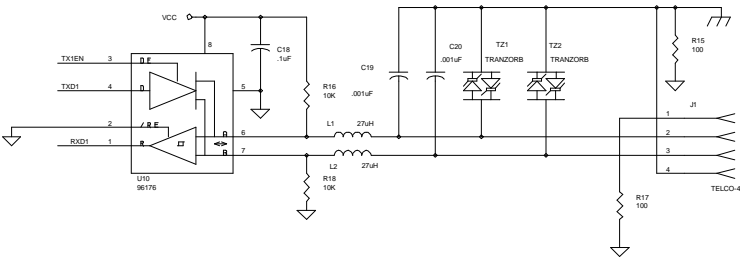
PLACE ALL COMPONENTS WITH * CLOSE TOGETHER



RESET CIRCUIT



VISION INTERFACE



PLACE ALL COMPONENTS WITH * CLOSE TOGETHER

