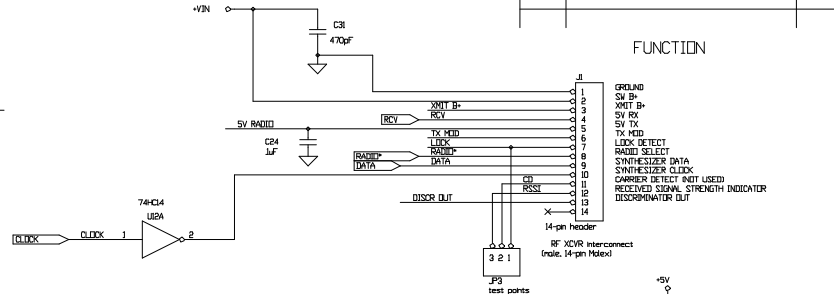
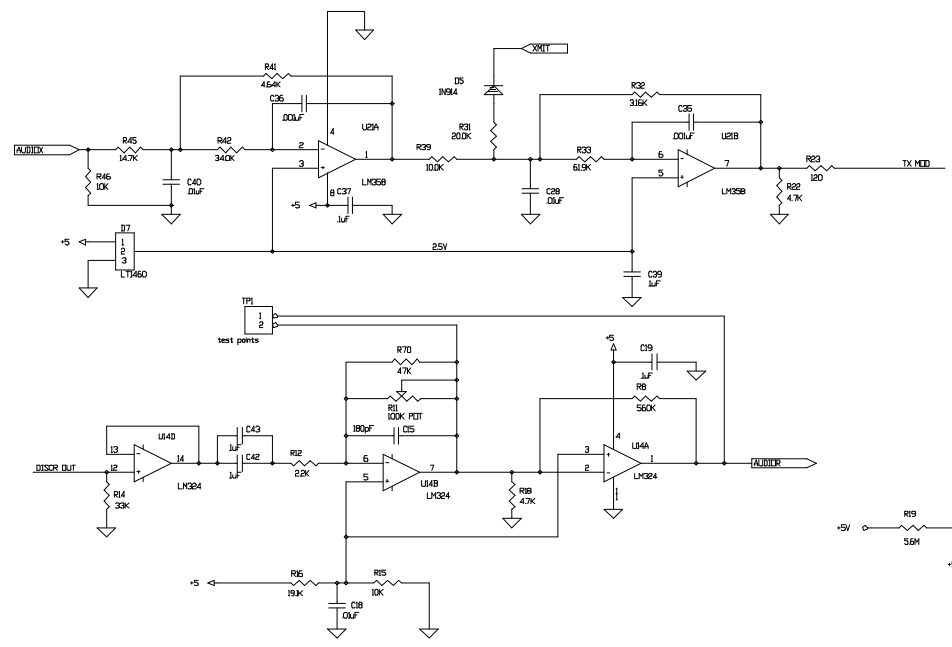
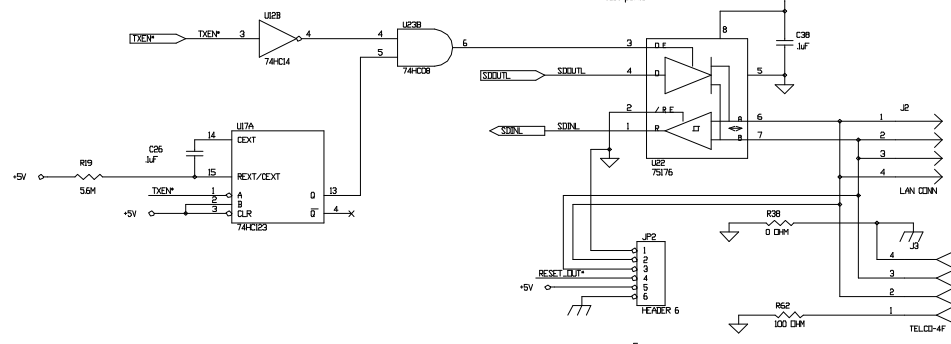
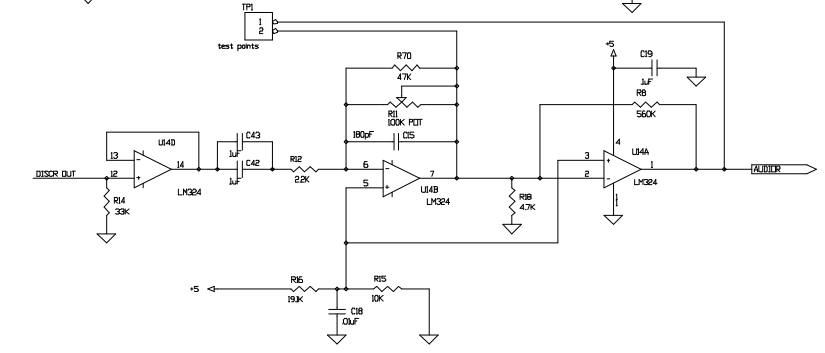


REV	DESCRIPTION	APPD BY
1	DRN670 10/19/90	
2	EDN 3477 6/26/95	
3	EDN 3564 3/10/98	

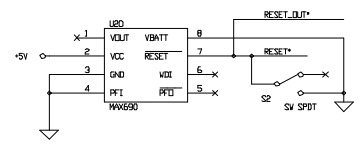
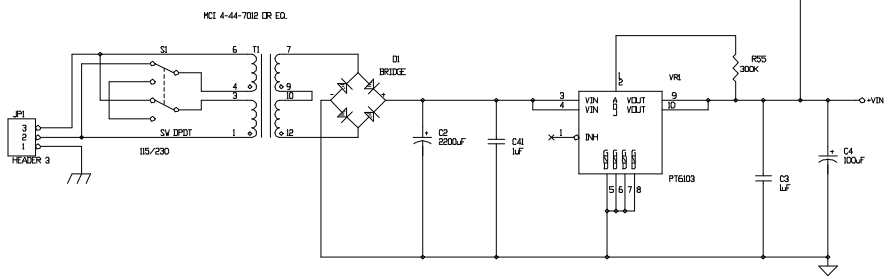
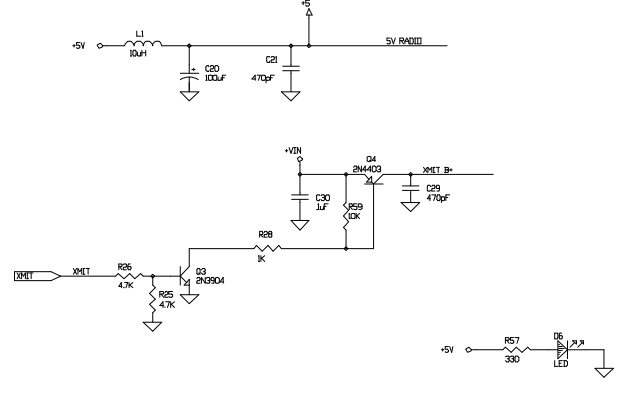
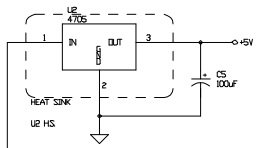
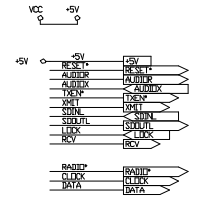
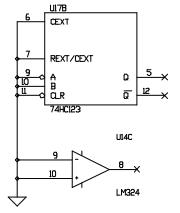


FUNCTION

- 1 GROUND
- 2 SV B+
- 3 XMT B+
- 4 SV B-
- 5 TX HEAD
- 6 LOCK
- 7 RADIO
- 8 DATA
- 9 LOCK DETECT
- 10 RADIO SELECT
- 11 SYNTHESIZER DATA
- 12 SYNTHESIZER CLOCK
- 13 CARRIER DETECT (NOT USED)
- 14 RECEIVED SIGNAL STRENGTH INDICATOR
- 15 DISCR/WATER OUT



- NOTES: 1. Locate R11 near U4A and not beneath radio subassembly (must be adjustable when assembled).
 2. Adjust R11 for 100Vpp at test points TPL with 1 kHz RF modulation (3 Hz deviation).
 3. Install JUMP2 only if the DC level of U4A pin 5 needs to be made closer to the value of U4A pin 6.



THIS DOCUMENT MAY NOT BE REPRODUCED BY ANY MEANS WITHOUT THE EXPRESSED PERMISSION OF GEAC COMPUTERS, RESTAURANT SYSTEMS DIVISION.
 COPYRIGHT© 1990-99 GEAC COMPUTERS, INC.
 GEAC COMPUTERS, INC.
 RESTAURANT SYSTEMS DIVISION
 175 LEDGE STREET, NASHUA, NH
 Title: NEW RRS Digital board
 Size: Document Number: 9000050000 REV: A1
 Date: May 18, 1999 Sheet: 3 of 3