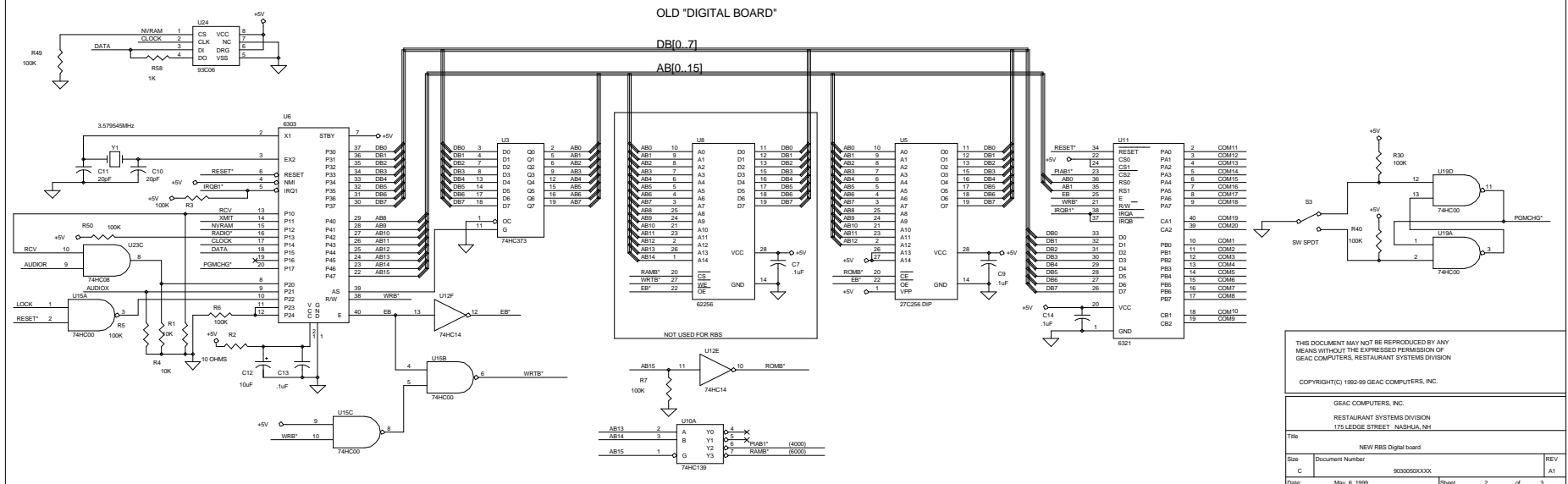
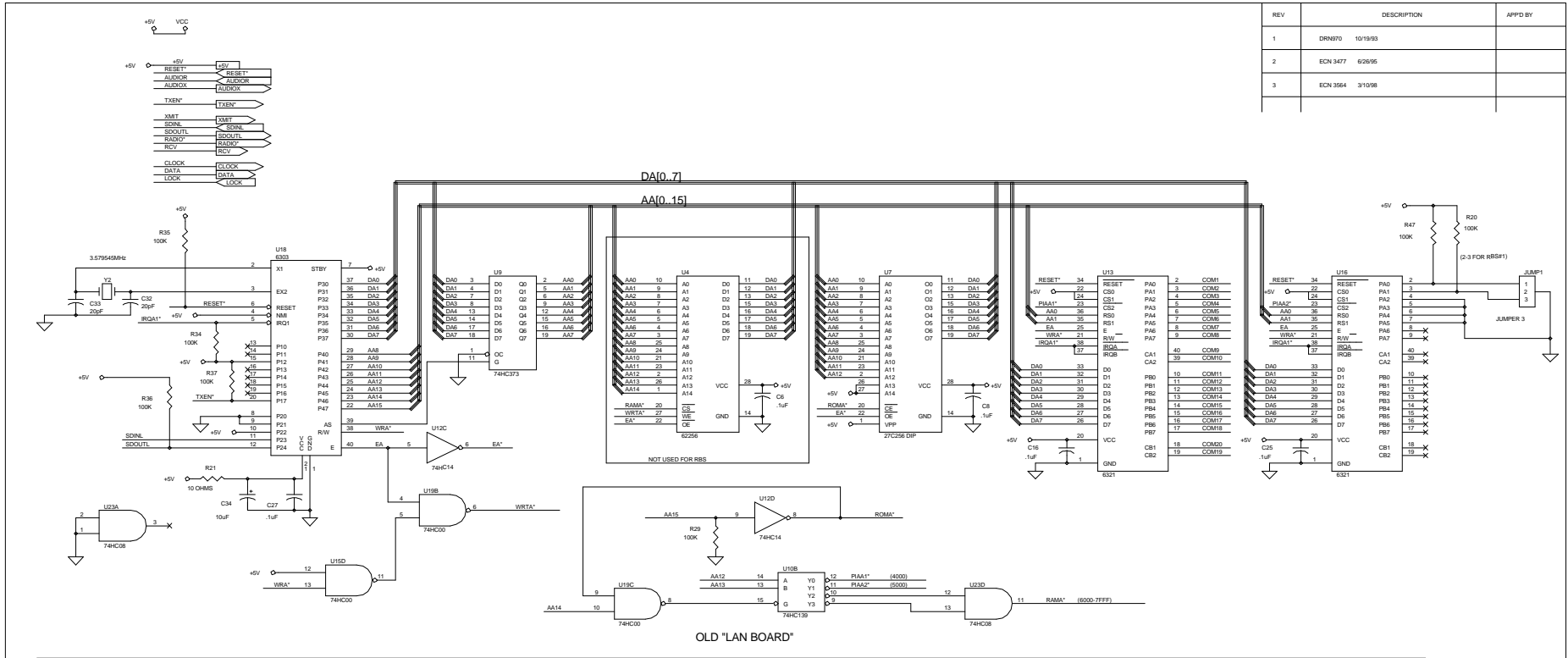


REV	DESCRIPTION	APPD BY
1	DRN070 10/19/93	
2	ECN 3477 6/26/95	
3	ECN 3564 3/10/98	



THIS DOCUMENT MAY NOT BE REPRODUCED BY ANY MEANS WITHOUT THE EXPRESSED PERMISSION OF GEAC COMPUTERS, RESTAURANT SYSTEMS DIVISION

COPYRIGHT © 1992-99 GEAC COMPUTERS, INC.

GEAC COMPUTERS, INC.
RESTAURANT SYSTEMS DIVISION
175 LEDGE STREET, NASHUA, NH

NEW RBS Digital Board			
Site	Document Number	REV	APPD BY
C	90309500000	A1	
Date:	May 6, 1999	Sheet	2 of 3