

EXTERNAL PHOTOS OF TESTED EUT



Top and rear face

Note: Model i-Q350L RTLS A Type S (Screw hole)

RTLS-AS (Screw) and RTLS-AH (Hook) type:

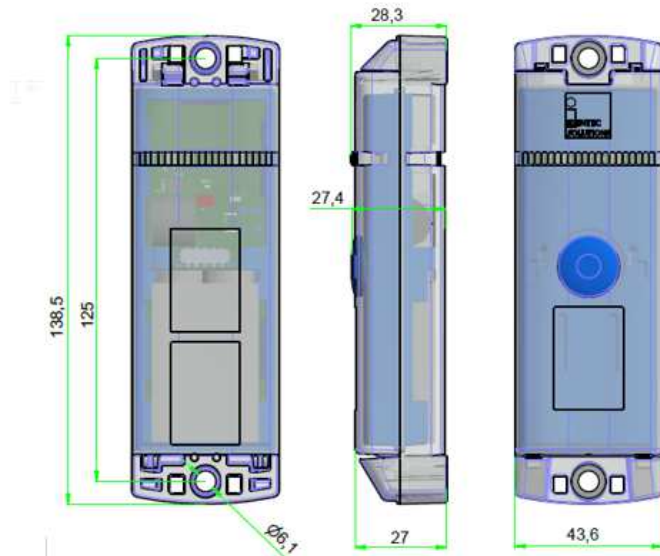


Figure 3 Housing Concept – screw mounting (not to scale)

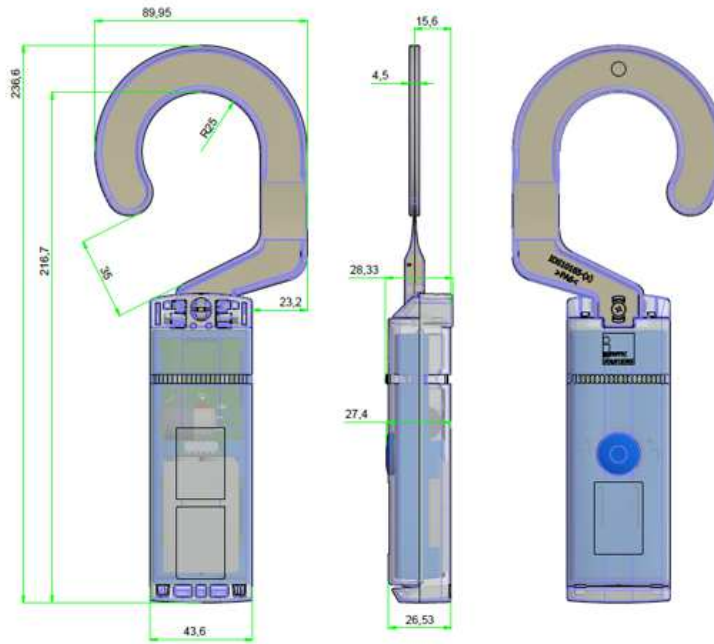


Figure 4 Housing Concept – hook mounting (not to scale)