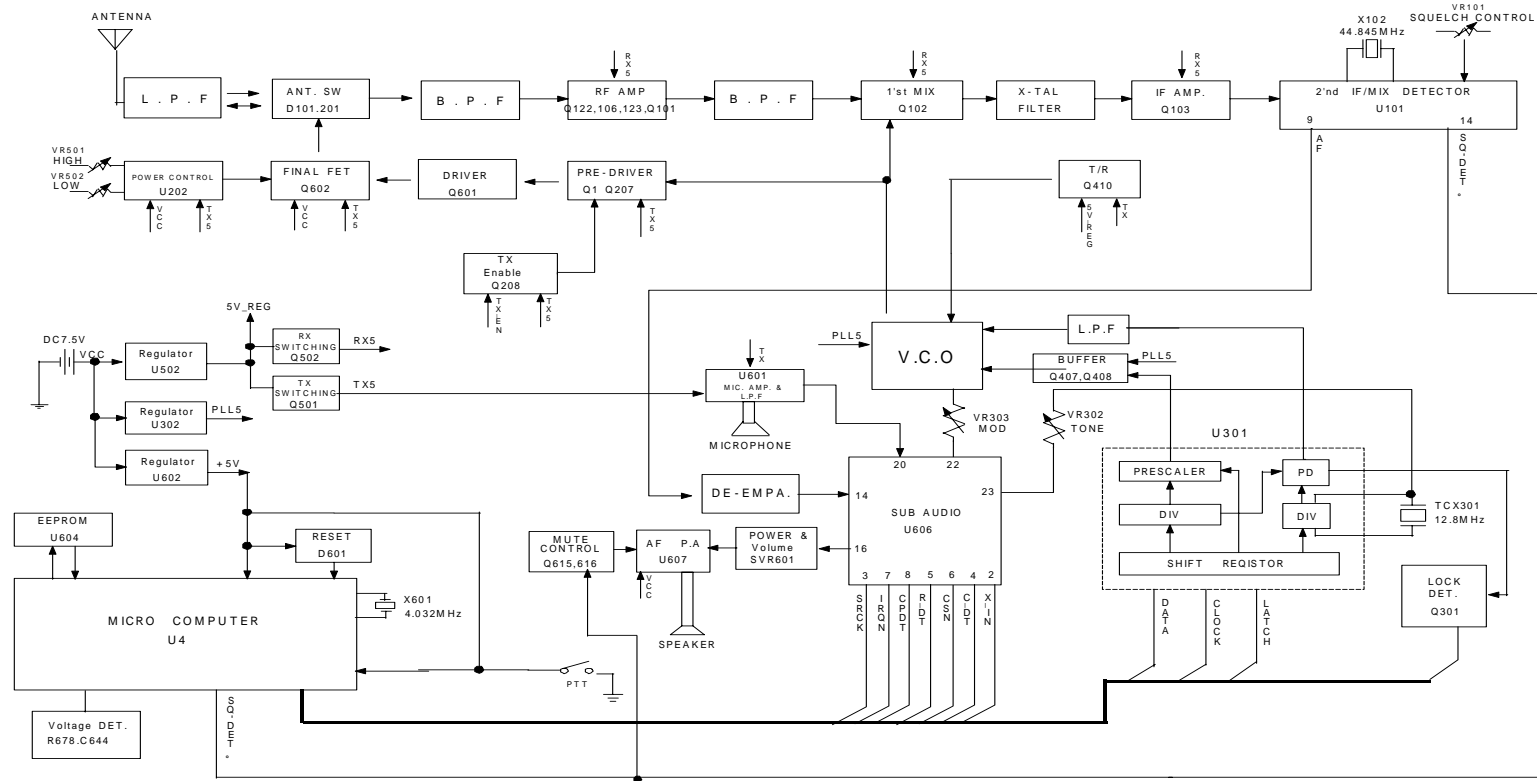


REV. NO.	CONTENTS	CHK.	APVD	DATE
				03.07.31



DESIGNED	CHECKED	APPROVED	TITLE : ATS-400B BLOCK DIAGRAM	
			DWG No	
/	/	/	MODEL	ATS-400B
MATERIAL	File Name	ATS-400B	SHEET	1 OF 1
	SCALE	A4		