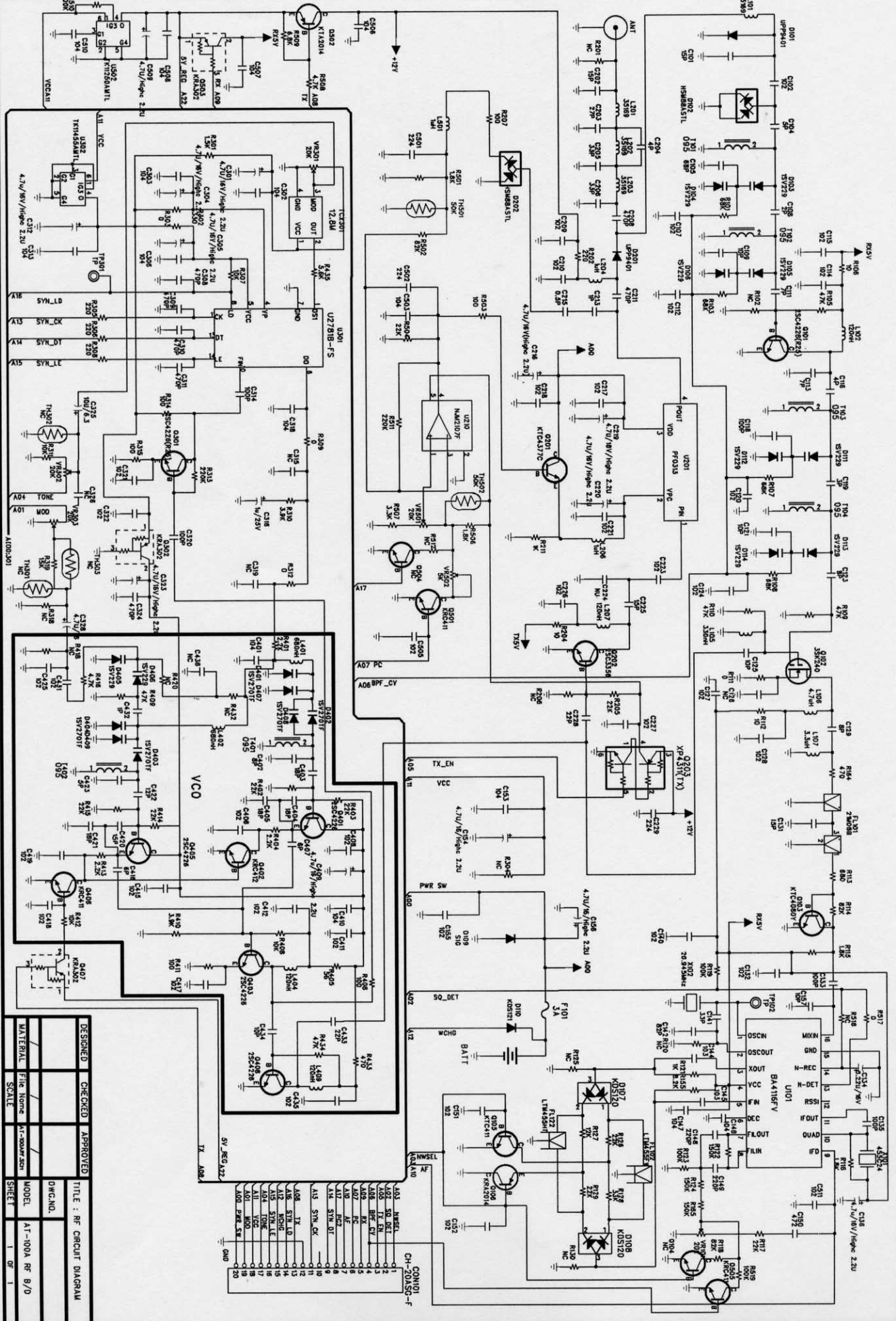


## Appendix I. Schematics

---

**Please see the following page**



DESIGNED	CHECKED	APPROVED
MATERIAL	File Name	AT-2004-RF-B/D
SCALE	1:1	
MODEL	AT-2004-RF-B/D	
SHEET	1	OF 1

TITLE : RF CIRCUIT DIAGRAM  
 DWG. NO. :  
 DATE :  
 SHEET : 1 OF 1

REV. NO.	CONTENTS	CHK.	APVD.	DATE
2001.04.26				

