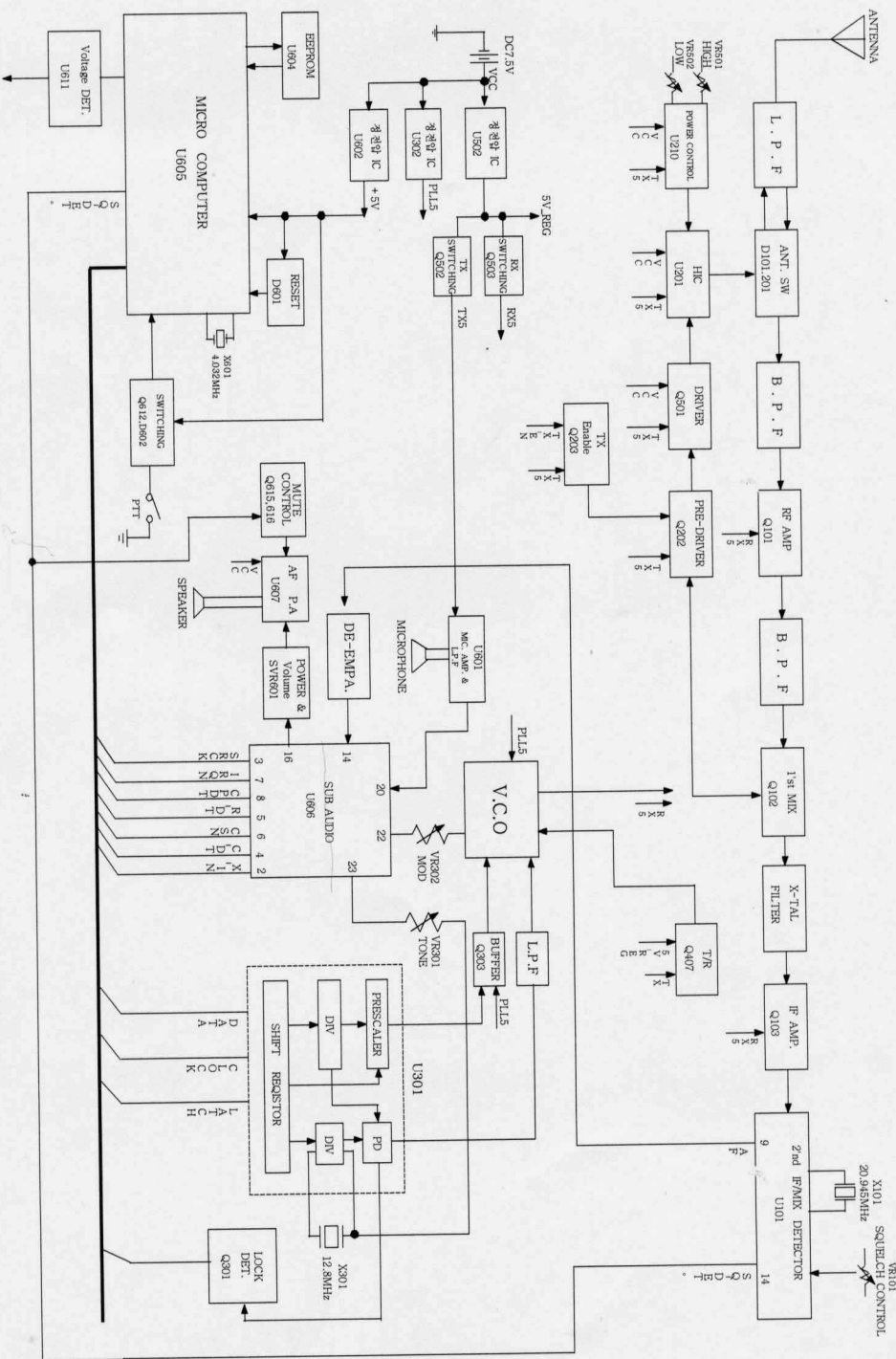


Appendix H. Block Diagram

Please see the following page

| | | | | |
|----------|----------|---------|------|----------|
| REV. NO. | CONTENTS | CHK. | APVD | DATE |
| | | M.K.LEE | | 00.04.24 |



| | | | |
|----------|---------|----------|-----------------|
| DESIGNED | CHECKED | APPROVED | TITLE : AT-100A |
| | | | BLOCK DIAGRAM |

| | | | | |
|----------|-----------|---------|-------|---------|
| MATERIAL | File Name | AT-100A | MODEL | AT-100A |
| | SCALE | A4 | SHEET | 1 OF 1 |

| | | | |
|----------|---------|----------|-----------------|
| DESIGNED | CHECKED | APPROVED | TITLE : AT-100A |
| | | | BLOCK DIAGRAM |

ATS-F-084(0)

Airtech I & C CO.,LTD

A4(210X297)