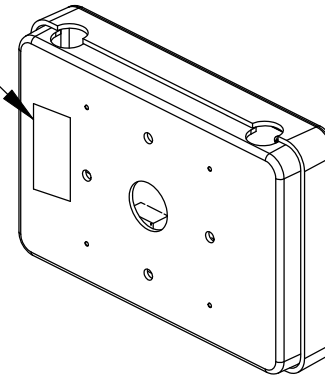


ONCWPMS LABEL




**FCC ID: ONCWPMS**

This device complies with part 15 of the FCC Rules. Operation is subject to the following two conditions:

- (1) This device may not cause harmful interference and
- (2) This device must accept any interference received, including interference that may cause undesired operation.

**Label 1" x 2"**

MATERIAL							NO.	FILE NO.	DO NOT SCALE			
FINISH							<b>FCC LABEL PLACEMENT WPMS</b>					
UNLESS OTHERWISE SPECIFIED: ALL MACHINED SURFACES TO HAVE 125 RMS FINISH BREAK ALL CORNERS .005/.010 X 45° INTERNAL CORNER RADII .010 MAX. R.							DR	DATE	CH'KD	DATE	ENGR	DATE
							MJP	02-16-10				
UNLESS OTHERWISE SPECIFIED ALL DIMENSIONS ARE IN INCHES. TOLERANCES ARE: ANGLES +/- 2 DEG. FRACTIONS +/- .015												
												LET
	THIS PRINT IS THE PROPERTY OF DYNAQUIP CONTROLS AND SHALL NOT BE COPIED, REPRODUCED, LOANED, OR DISPOSED OF DIRECTLY OR INDIRECTLY, NOR USED FOR ANY PURPOSE OTHER THAN THAT FOR WHICH IT IS SPECIFICALLY FURNISHED EXCEPT BY WRITTEN PERMISSION OF DYNAQUIP CONTROLS.											