

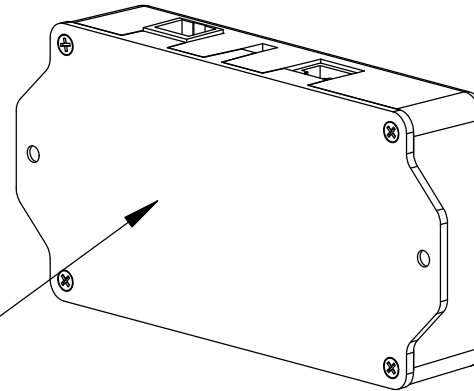


**FCC ID: ONCWCSCLV**

This device complies with Part 15 of the FCC Rules. Operation is subject to the following two conditions:

- (1) This device may not cause harmful interference and
- (2) This device must accept any interference received, including interference that may cause undesired operation.

Contains FCC ID: 2AC7Z-ESPWROOM02



APPLY LABEL IN THIS LOCATION.

MATERIAL							NO. <b>WCSCCLV LABEL</b>	FILE NO.	DO NOT SCALE			
FINISH							TITLE <b>SMARTCONNECT FCC LABEL LOCATION</b>					
UNLESS OTHERWISE SPECIFIED: ALL MACHINED SURFACES TO HAVE 125 RMS FINISH BREAK ALL CORNERS .005/.010 X 45° INTERNAL CORNER RADII .010 MAX. R. UNLESS OTHERWISE SPECIFIED ALL DIMENSIONS ARE IN INCHES. TOLERANCES ARE:							DR	DATE	CHKD	DATE	ENGR	DATE
							MJP	08-31-18				
	LET	ECO	DATE	LET	ECO	DATE						
ANGLES +/- 2 DEG. FRACTIONS +/- .015												THIS PRINT IS THE PROPERTY OF DYNAQUIP CONTROLS AND SHALL NOT BE COPIED, REPRODUCED, LOANED, OR DISPOSED OF DIRECTLY OR INDIRECTLY, NOR USED FOR ANY PURPOSE OTHER THAN THAT FOR WHICH IT IS SPECIFICALLY FURNISHED EXCEPT BY WRITTEN PERMISSION OF DYNAQUIP CONTROLS.
X +/- .100 .XX +/- .015 .XXX +/- .005												