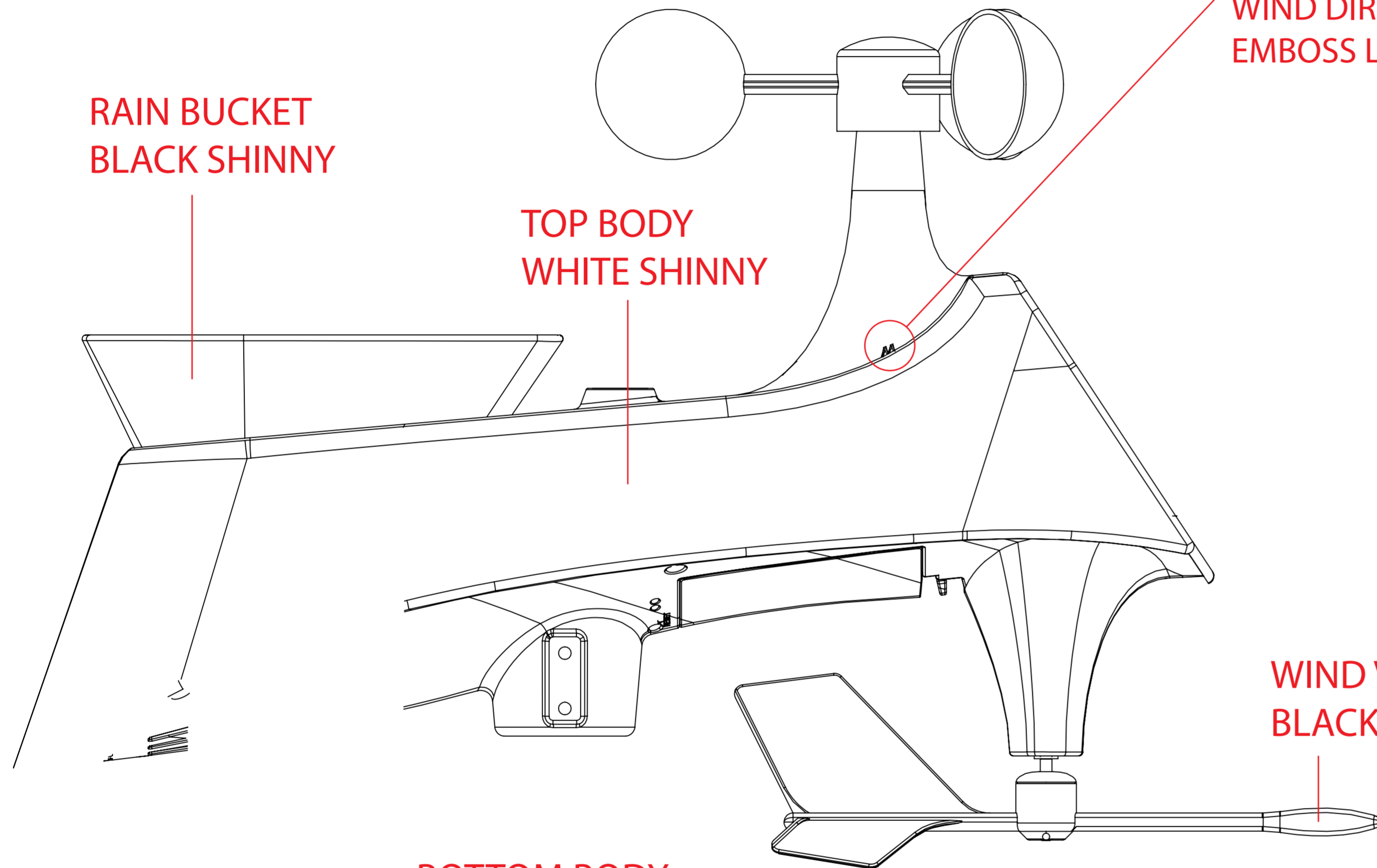


**RAIN BUCKET  
BLACK SHINNY**

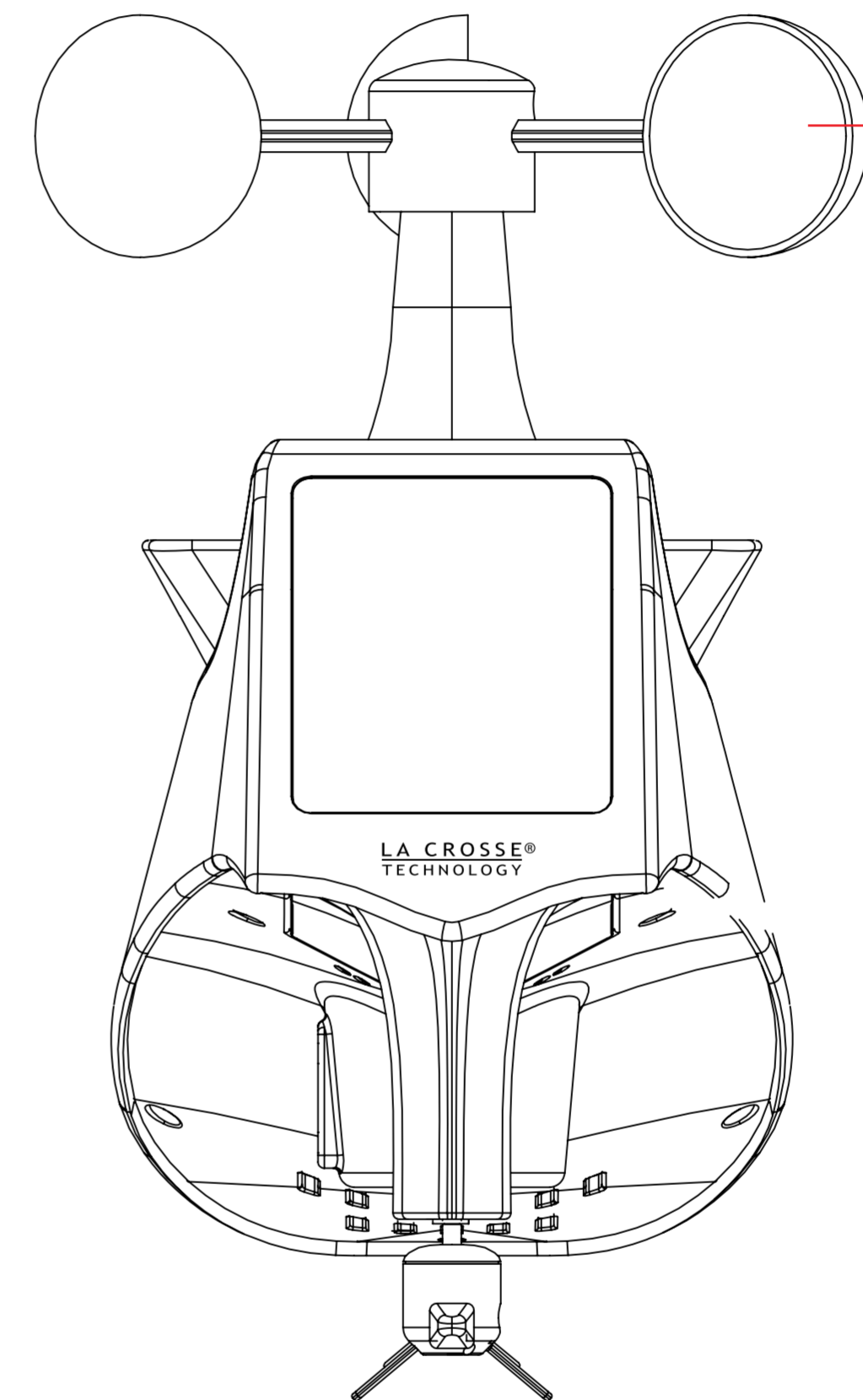
**TOP BODY  
WHITE SHINNY**

**WIND DIRECTION  
EMBOSS LETTERS**

**WIND CUPS  
BLACK SHINNY**



**WIND VANE  
BLACK SHINNY**



**BOTTOM BODY  
BLACK SHINNY**

**BATTERY COVER**

