

LA CROSSE®
TECHNOLOGY

FCC ID: 0MOTX231TH
IC: 5049A - TX231TH
Model: TX231TH
TX.DC3V 2XAA
Made in China
XXXX-X

This device complies with part 15 of the FCC rules. Operation is subject to the following two conditions:
(1) This device may not cause harmful interference
(2) This device must accept any interference received, including interference that may cause undesired operation

www.lacrosstechnology.com/support
FREQ. 433.92 MHz

Protected under
U.S. Patents:
• 5,978,738
• 6,076,044
• RE43903



PANTONE COOL GRAY 11C

LA CROSSE®
TECHNOLOGY

FCC ID: 0MOTX231TH
IC: 5049A - TX231TH
Model: TX231TH
TX.DC3V 2XAA
Made in China
XXXX-X

This device complies with part 15 of the FCC rules. Operation is subject to the following two conditions:
(1) This device may not cause harmful interference
(2) This device must accept any interference received, including interference that may cause undesired operation

www.lacrosstechnology.com/support
FREQ. 433.92 MHz

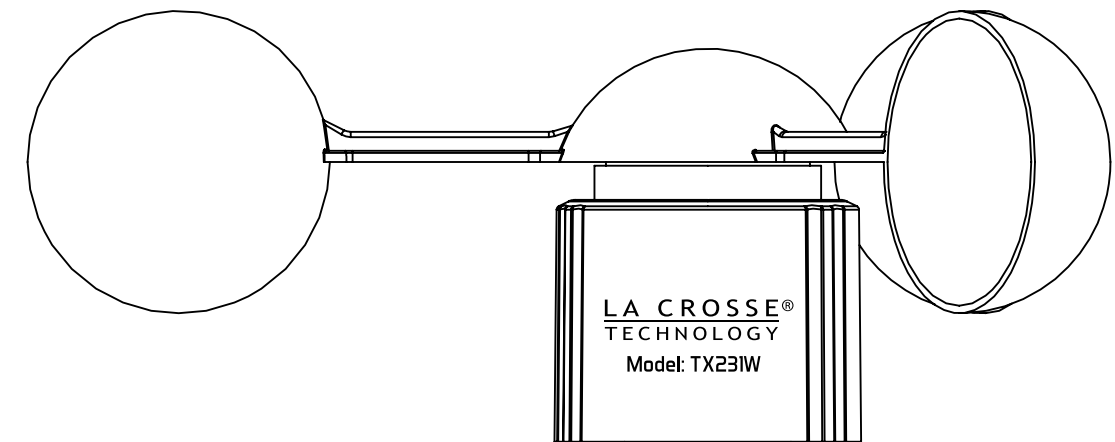
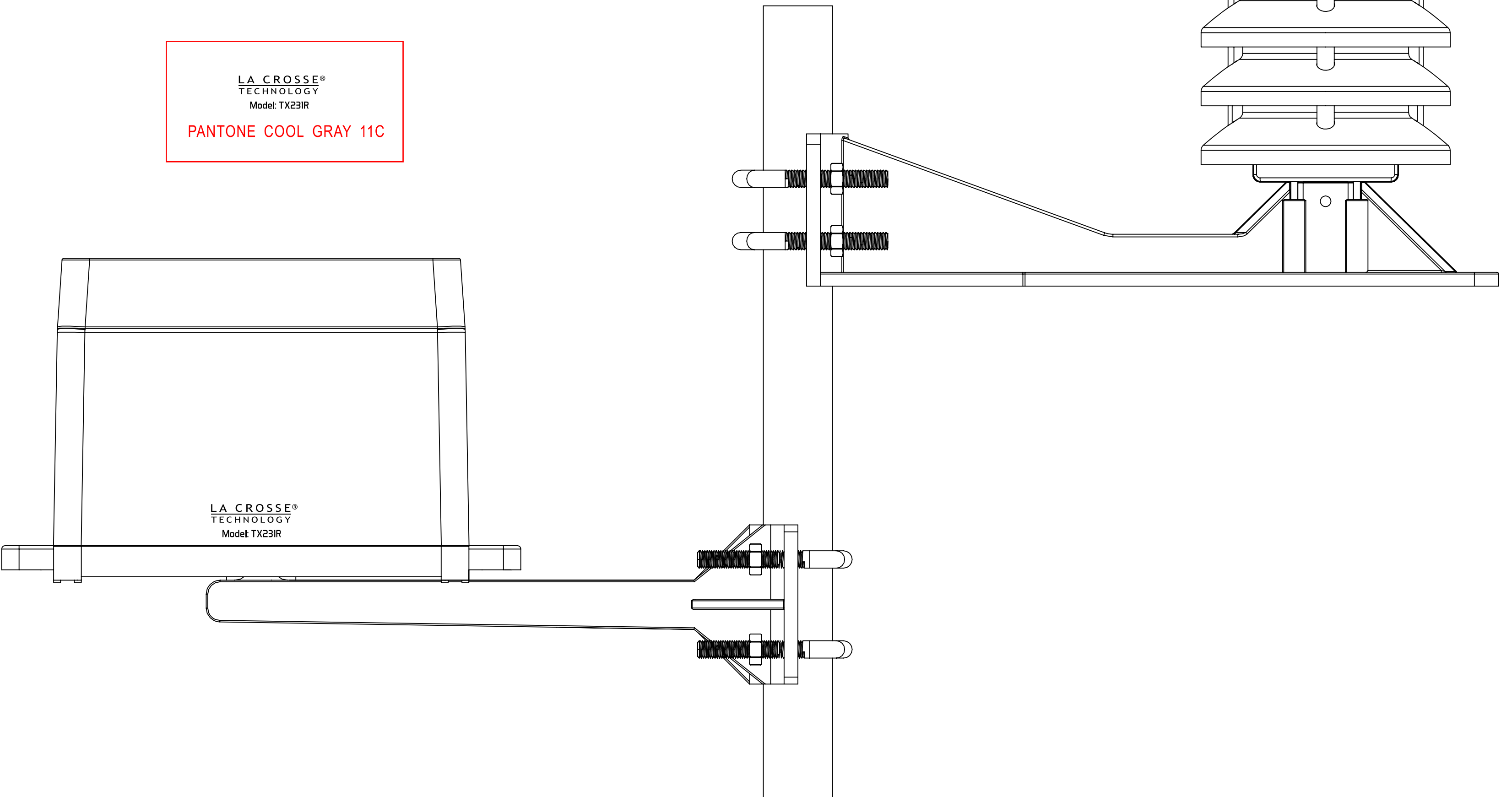
Protected under
U.S. Patents:
• 5,978,738
• 6,076,044
• RE43903



LA CROSSE®
TECHNOLOGY
Model: TX231R

PANTONE COOL GRAY 11C

LA CROSSE®
TECHNOLOGY
Model: TX231R



LA CROSSE®
TECHNOLOGY
Model: TX231W

PANTONE COOL GRAY 11C