

A

B

C

D

E

F

8

7

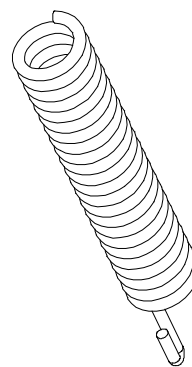
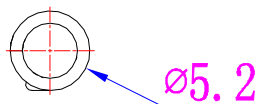
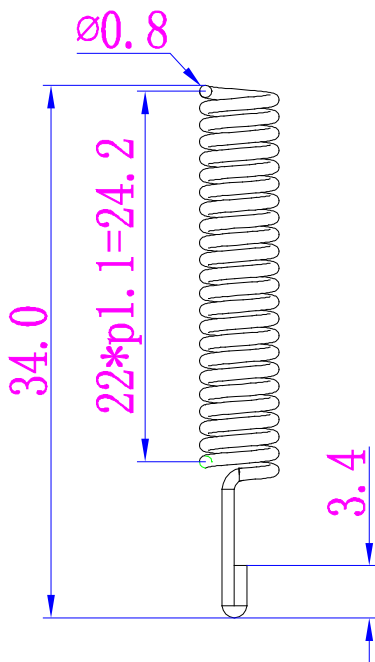
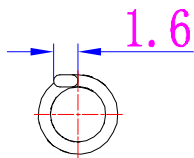
6

5

4

3

2



# Fuzhou SINOSTR Electronic Co., Ltd

1	Antenna gain:	0dB	Models:	TX145W	Design:	LCL
	Material:	Copper	Product name:	Antenna	Date:	2023. 03. 10
	Unit:	mm	Proportion:	1:1	Page NO:	1of1