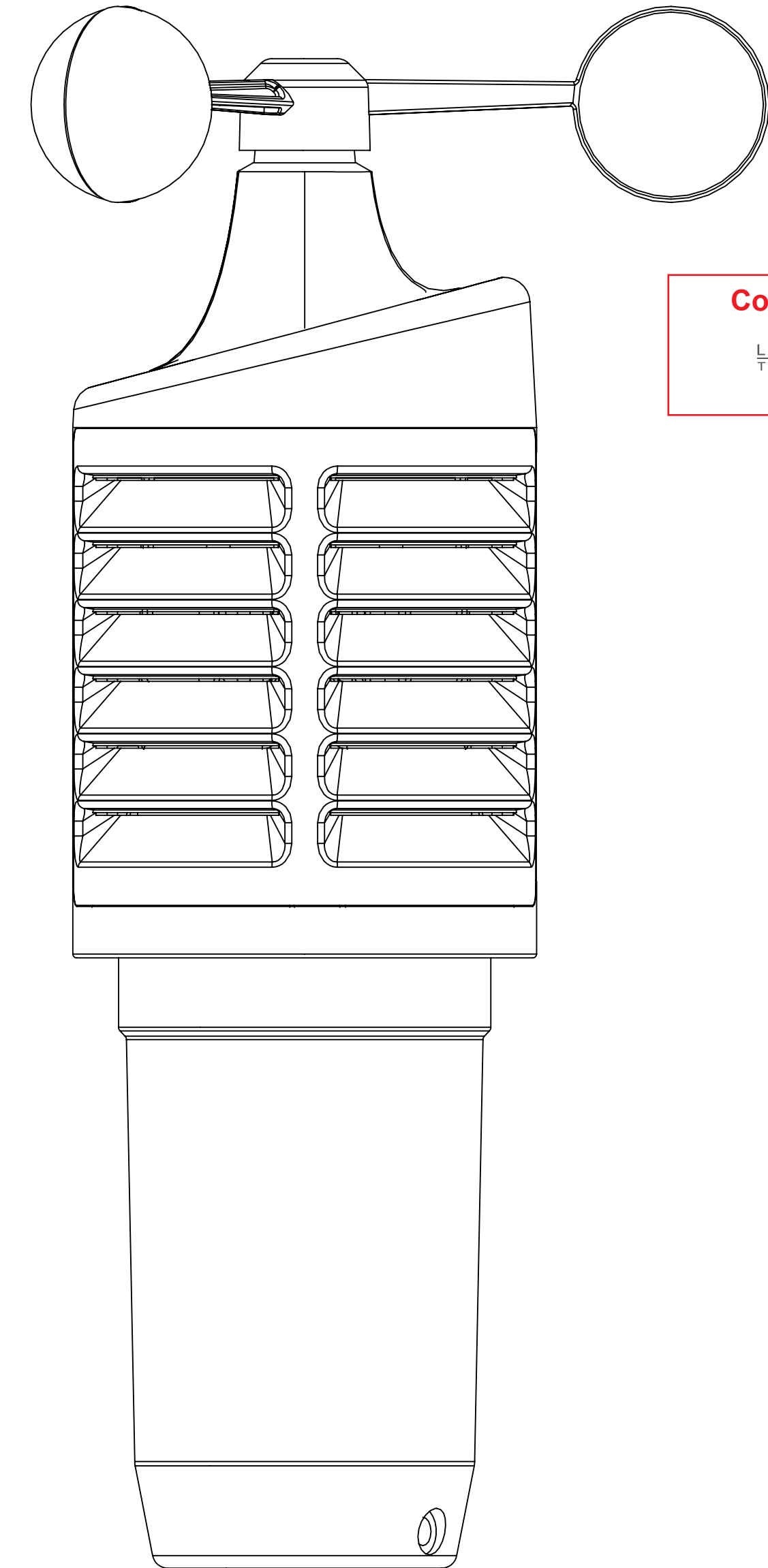
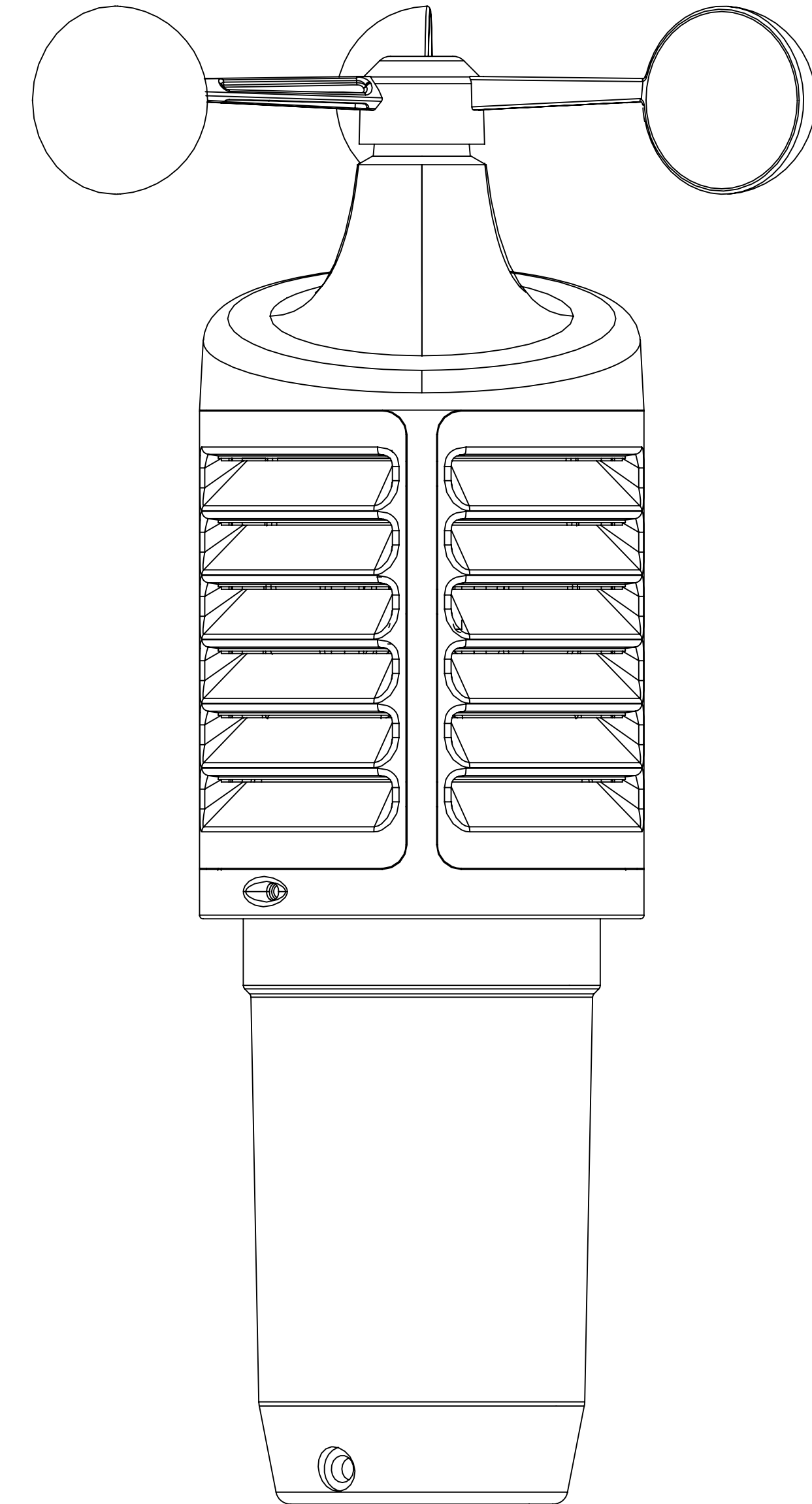
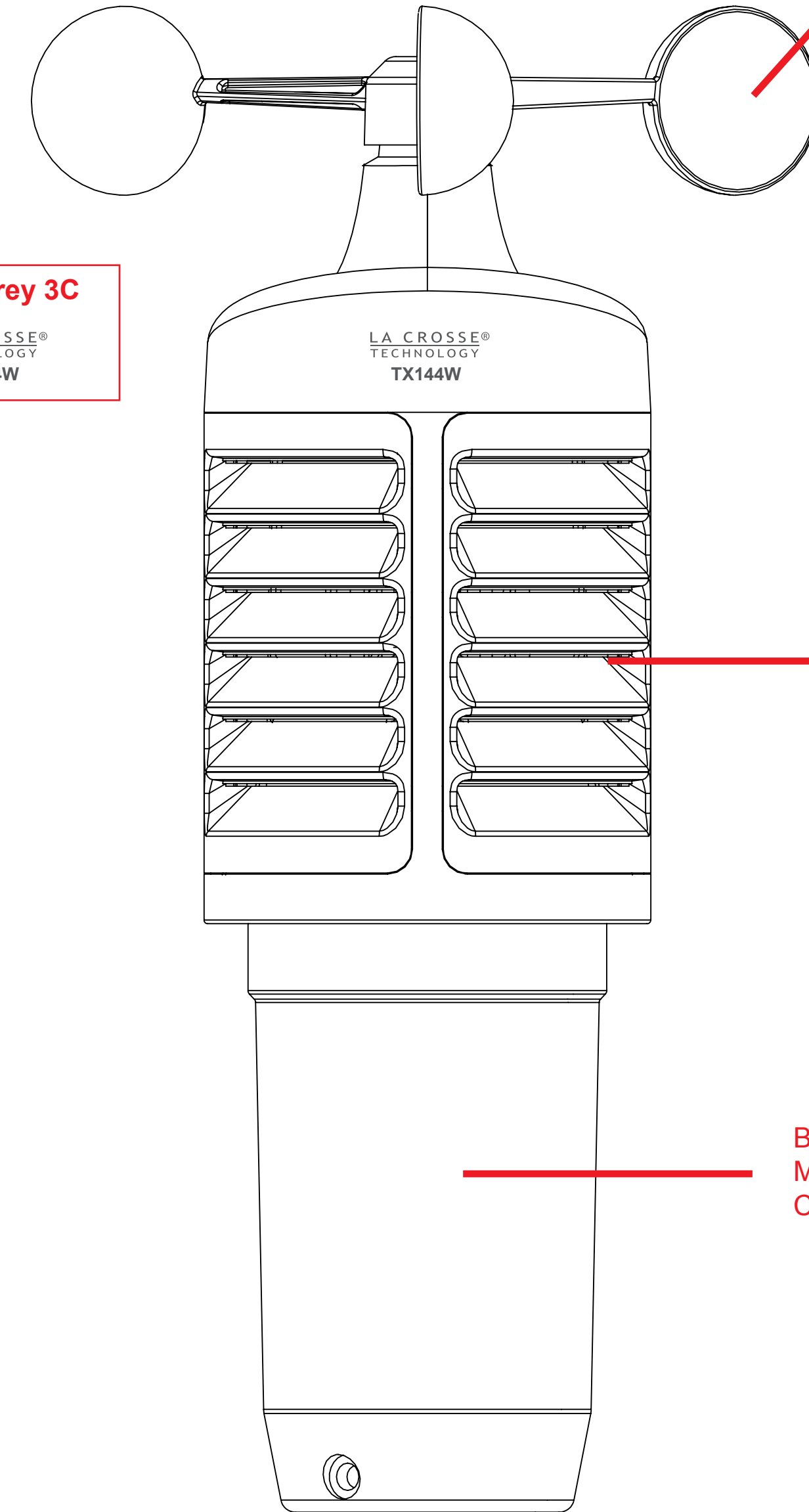


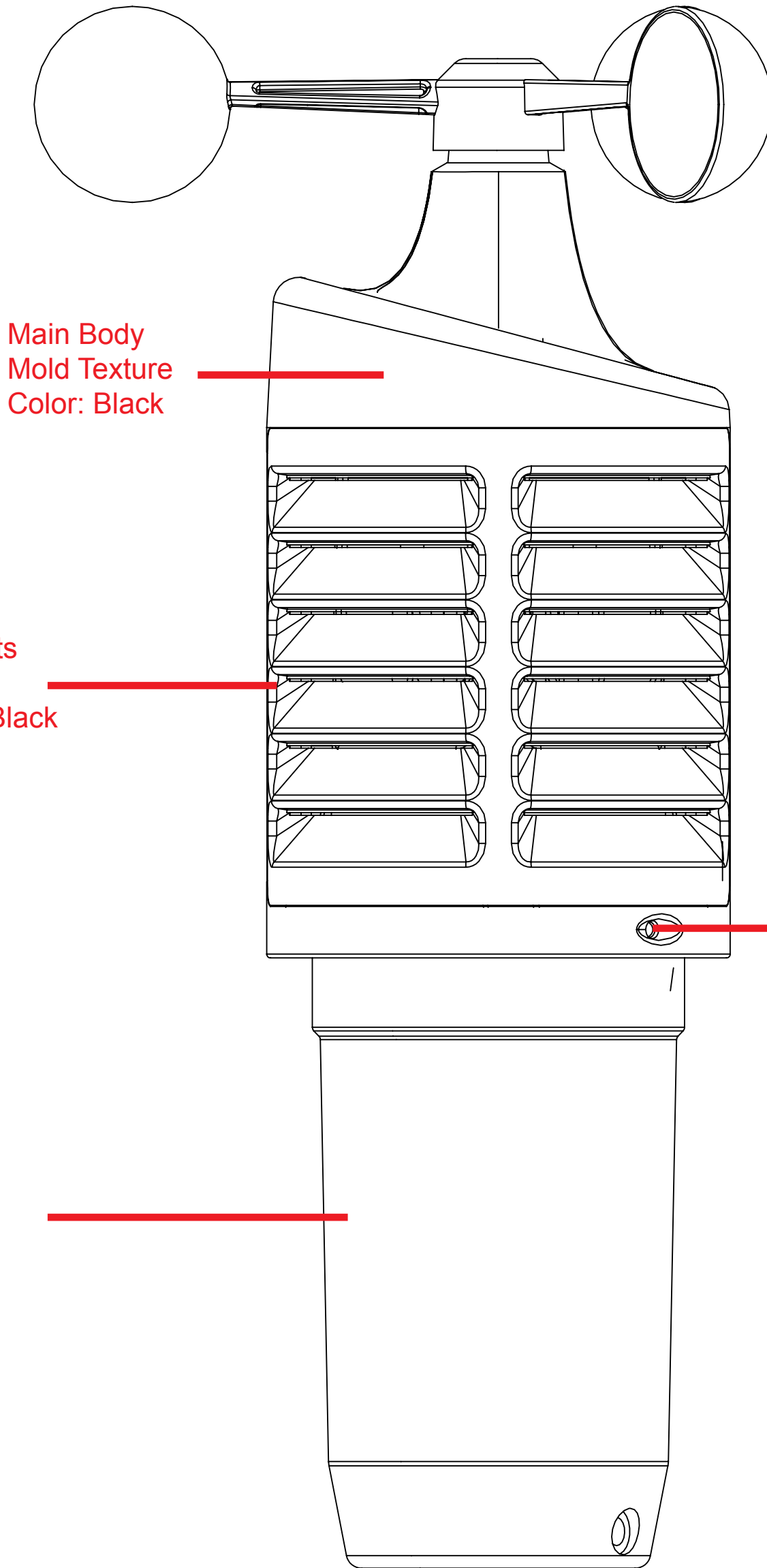
**TX144W Wind Sensor**  
Silkscreen File



**Cool Grey 3C**  
LA CROSSE®  
TECHNOLOGY  
TX144W



Wind Cups  
Glossy  
Color: Black

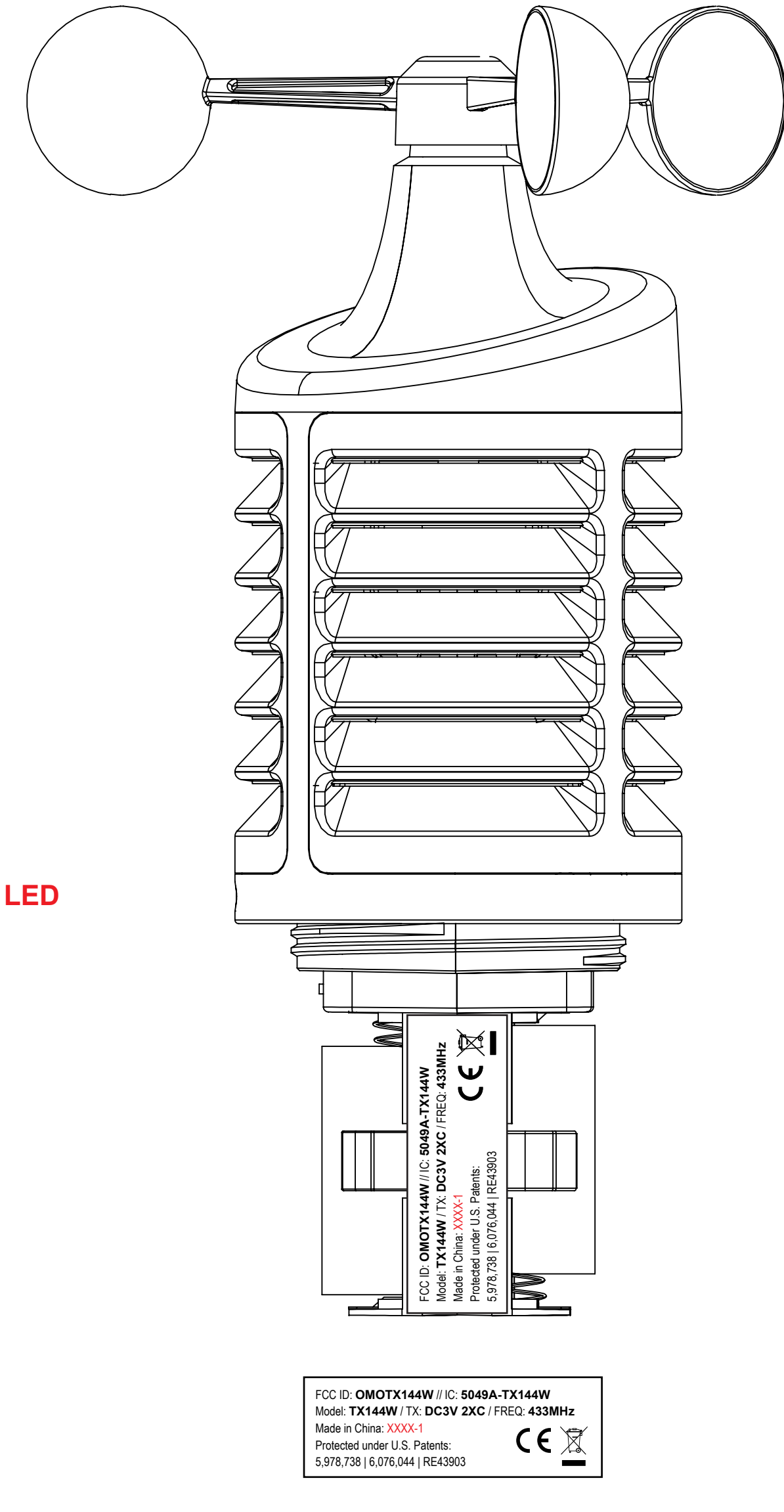


Main Body  
Mold Texture  
Color: Black

Air Vents  
Glossy  
Color: Black

Red LED

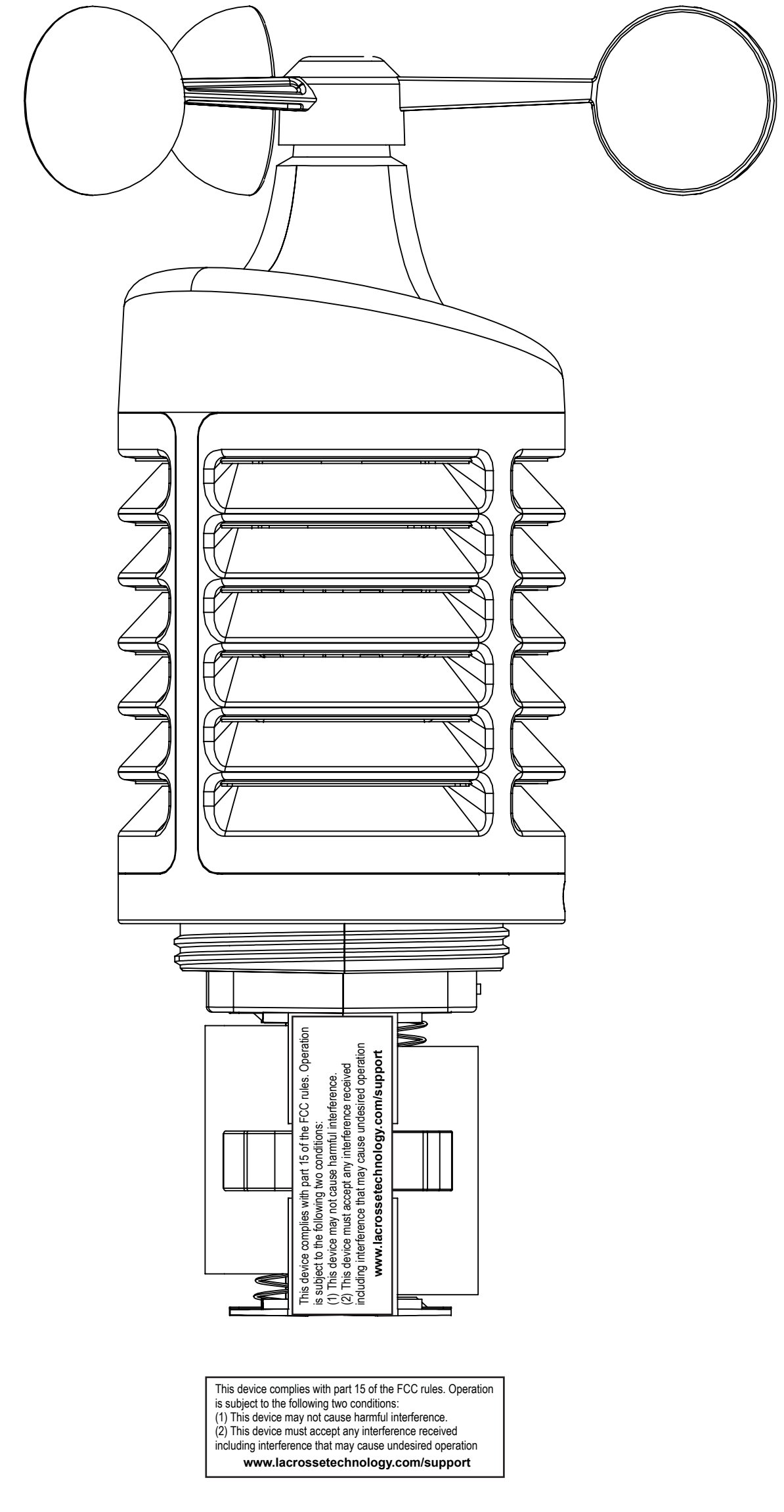
Bottom Cup  
Mold Texture  
Color: Black



FCC ID: OMO TX144W / IC: 5049A-TX144W  
Model: TX144W / TX: DC3V 2XC / FREQ: 433MHz  
Made in China: 0000-1  
Protected under U.S. Patents:  
5,978,738 | 6,076,044 | RE43903

FCC ID: OMO TX144W / IC: 5049A-TX144W  
Model: TX144W / TX: DC3V 2XC / FREQ: 433MHz  
Made in China: 0000-1  
Protected under U.S. Patents:  
5,978,738 | 6,076,044 | RE43903

White Sticker With Black Print



This device complies with part 15 of the FCC rules. Operation is subject to the following two conditions:  
(1) This device may not cause harmful interference.  
(2) This device must accept any interference received, including interference that may cause undesired operation.  
[www.lacrossetechnology.com/support](http://www.lacrossetechnology.com/support)

This device complies with part 15 of the FCC rules. Operation is subject to the following two conditions:  
(1) This device may not cause harmful interference.  
(2) This device must accept any interference received, including interference that may cause undesired operation.  
[www.lacrossetechnology.com/support](http://www.lacrossetechnology.com/support)

White Sticker With Black Print

