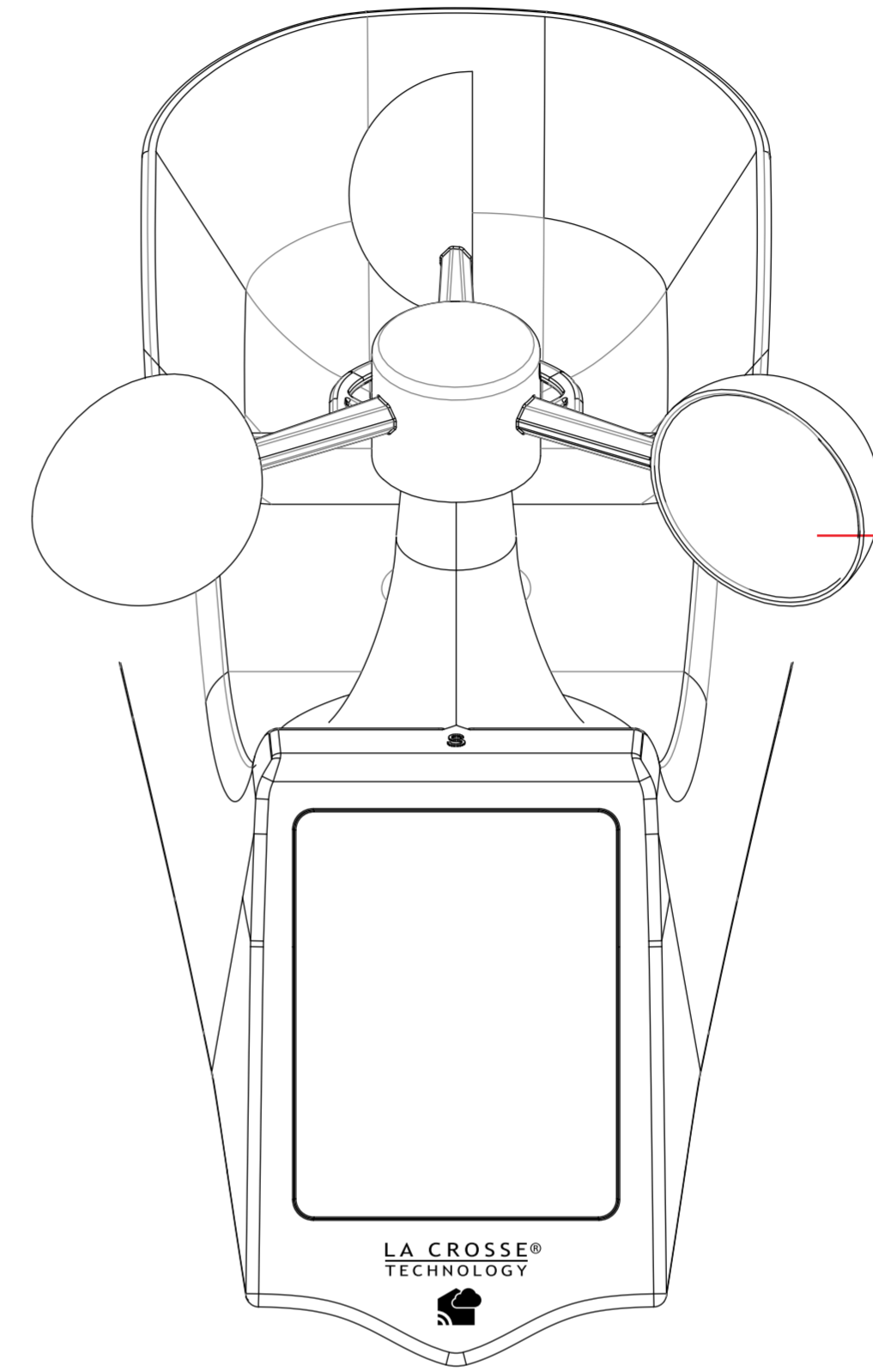


WIND DIRECTION  
EMBOSS LETTERS



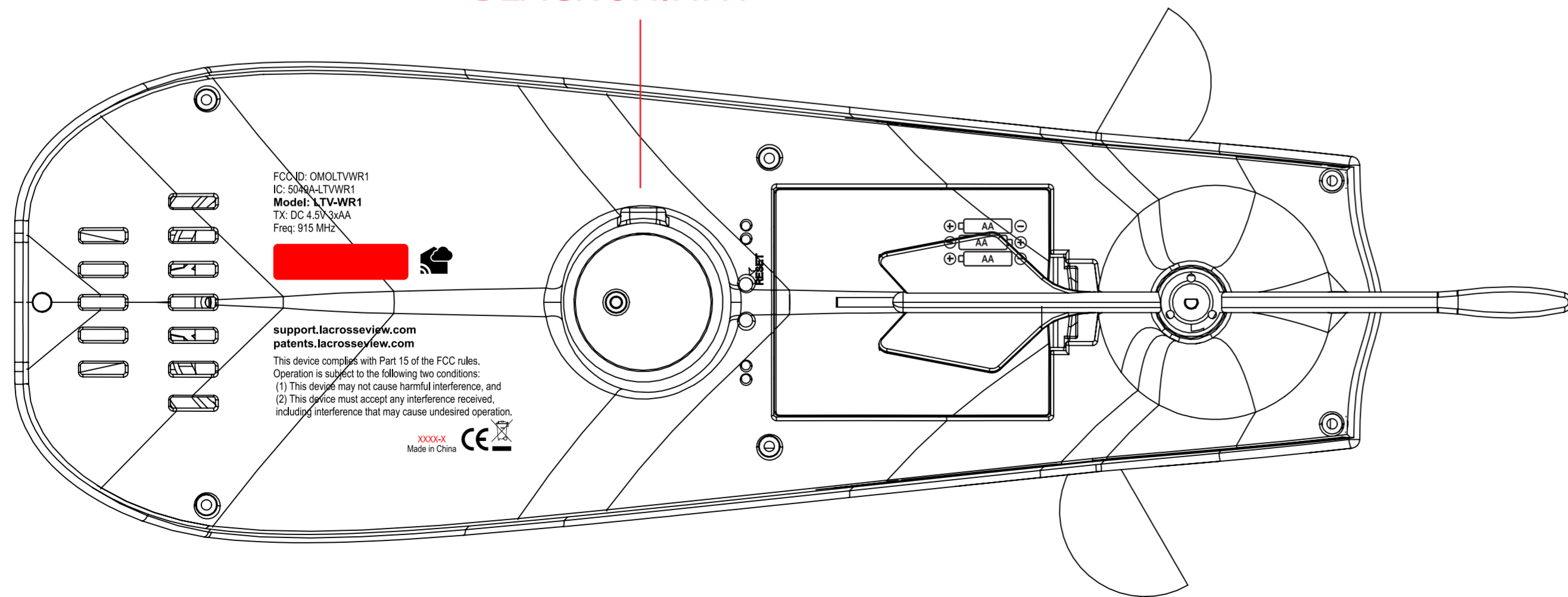
WIND CUPS  
BLACK SHINNY

RAIN BUCKET  
BLACK SHINNY

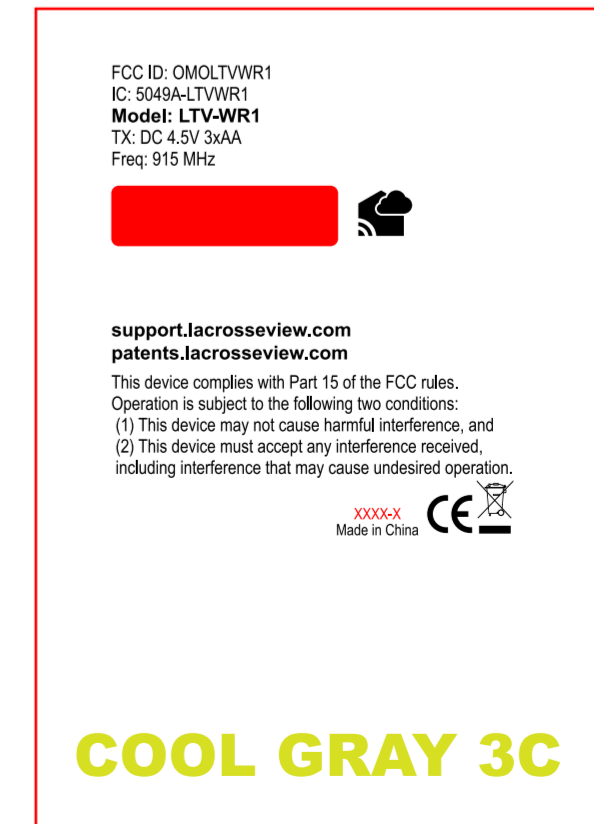
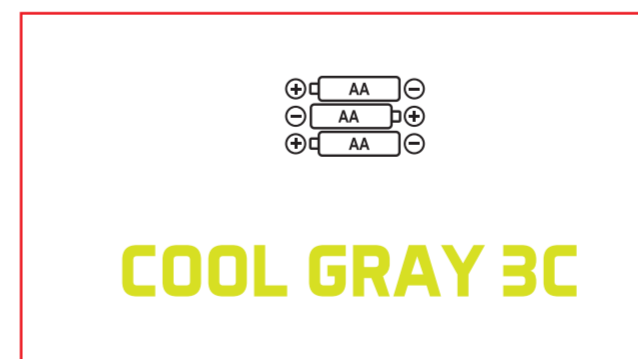
TOP BODY  
WHITE SHINNY

WIND VANE  
BLACK SHINNY

BOTTOM BODY  
BLACK SHINNY



BATTERY COVER



FCC ID: OMOLTWR1  
IC: 5049A-LTVWR1  
Model: LTV-WR1  
TX: DC 4.5V 30mA  
Freq: 915 MHz

support.lacrosseview.com  
patents.lacrosseview.com  
This device complies with Part 15 of the FCC rules.  
Operation is subject to the following two conditions:  
(1) This device may not cause harmful interference, and  
(2) This device must accept any interference received,  
including interference that may cause undesired operation.  
XXXXX  
Made in China

FCC ID: OMOLTWR1  
IC: 5049A-LTVWR1  
Model: LTV-WR1  
TX: DC 4.5V 30mA  
Freq: 915 MHz

support.lacrosseview.com  
patents.lacrosseview.com  
This device complies with Part 15 of the FCC rules.  
Operation is subject to the following two conditions:  
(1) This device may not cause harmful interference, and  
(2) This device must accept any interference received,  
including interference that may cause undesired operation.  
XXXXX  
Made in China

COOL GRAY 3C