

A

B

C

D

E

F

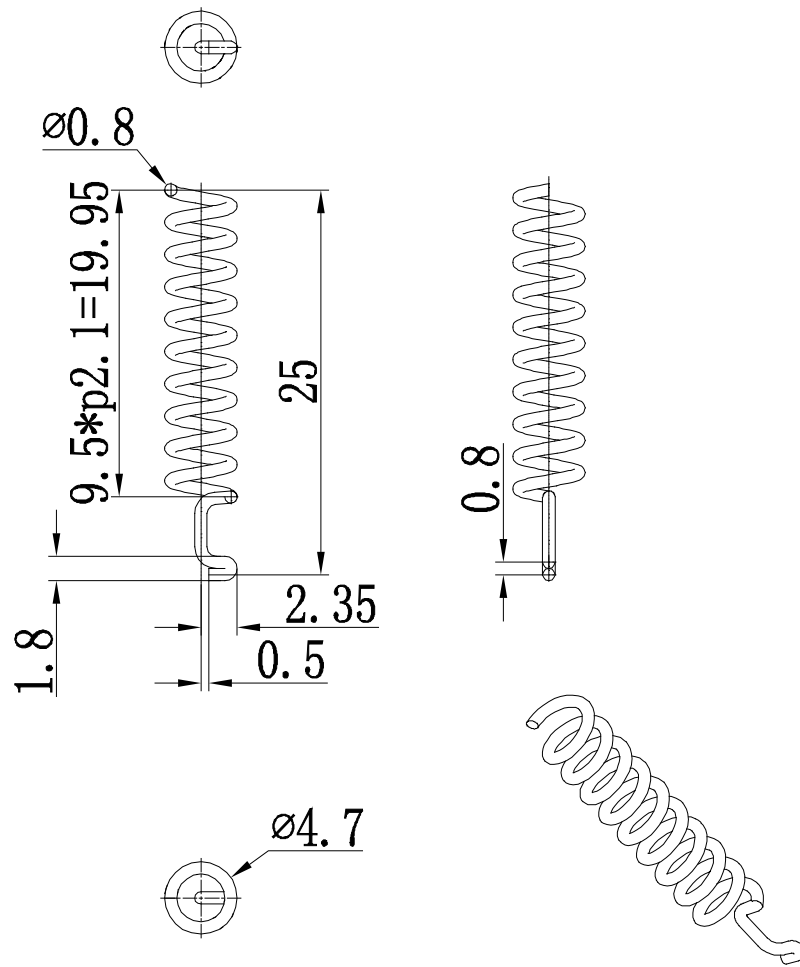
6

5

4

3

2



Fuzhou SINOSTR Electronic Co., Ltd

1

Antenna gain:	0dB	Models:	TX041/TX043	Design:	LCL
Material:	Copper	Product name:	Antenna	Date:	2022.9.1
Unit:	mm	Proportion:	1:1	Page NO:	1of1