

SNOOZE/LIGHT

- Press to adjust backlight level
- Hold to enter auto dim settings

SET

- Press to change calendar format
- Hold to enter immediate settings

GLOW

- Press to go through glow options
- Hold to turn off glow
- Press +/- to adjust brightness

+

- Press to search for outdoor sensor

🕒

- Press to turn alarm on/off
- Hold to set alarm time

🔋

OFF: Charger is in standby
Solid Light: Device is charging
Blinking Light: Device is misaligned or foreign object detected

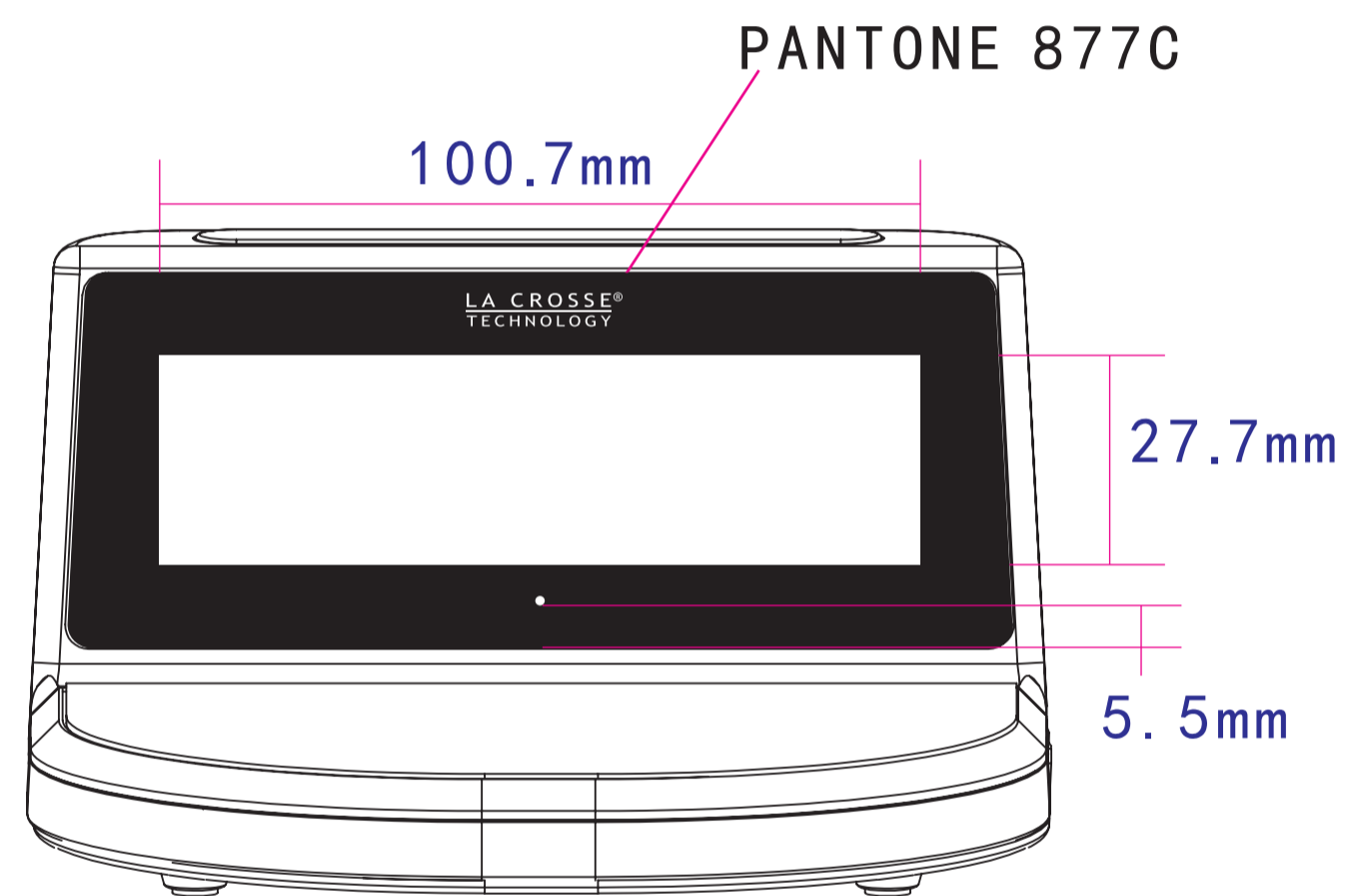
Model/Modèle: CA77932
Sensor/Capteur: TX141-BV3
CAN RSS-216/CNR-216
FCC ID: OMOCA77932
IC: 5049A-CA77932

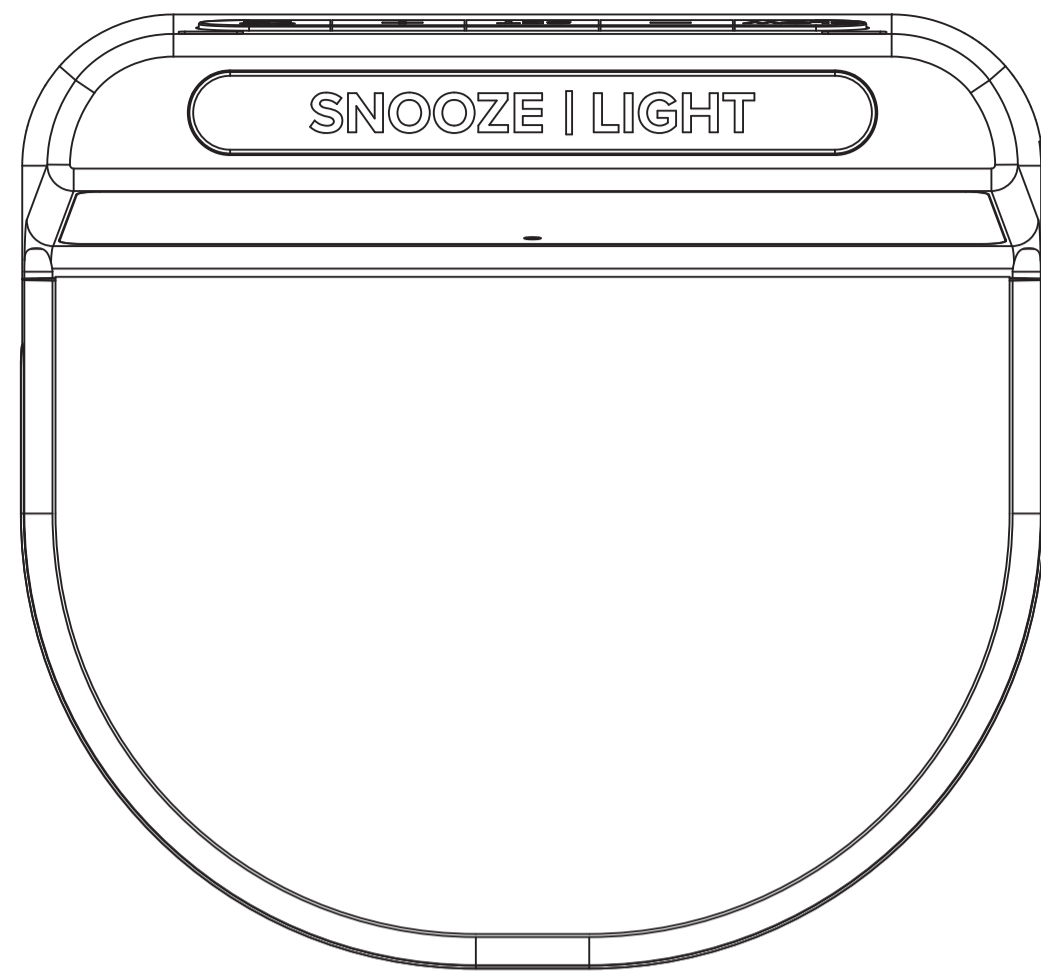
FC LA CROSSE®
TECHNOLOGY
AC6: HX13-0502500-AU-001
Freq: 433 MHz
XXXXXX

This device complies with part 15 of the FCC Rules. Operation is subject to the following two conditions: (1) This device may not cause harmful interference, and (2) this device must accept any interference, including interference that may cause undesired operation.

Helpful Links | lacrosstechnology.com/support
Liens Utiles | lacrosstechnology.com/patents

丝印 PANTONE Cool Gray 3C





后壳 皮纹做OMK 079, 红色LCD窗口面做亮面

上壳 皮纹做OMK 079

下壳 皮纹做OMK 079

LCD支架 亮面

顶键 皮纹做OMK 079, 凹字做高亮面

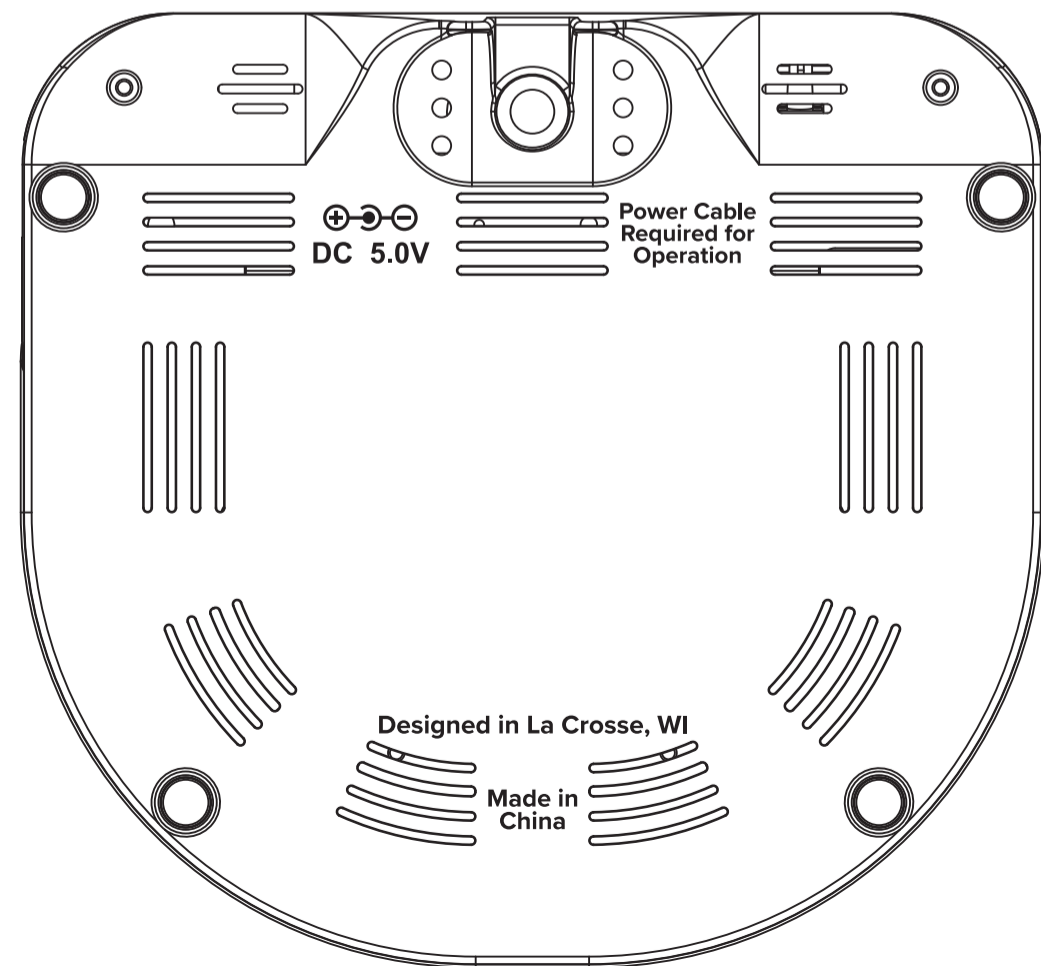
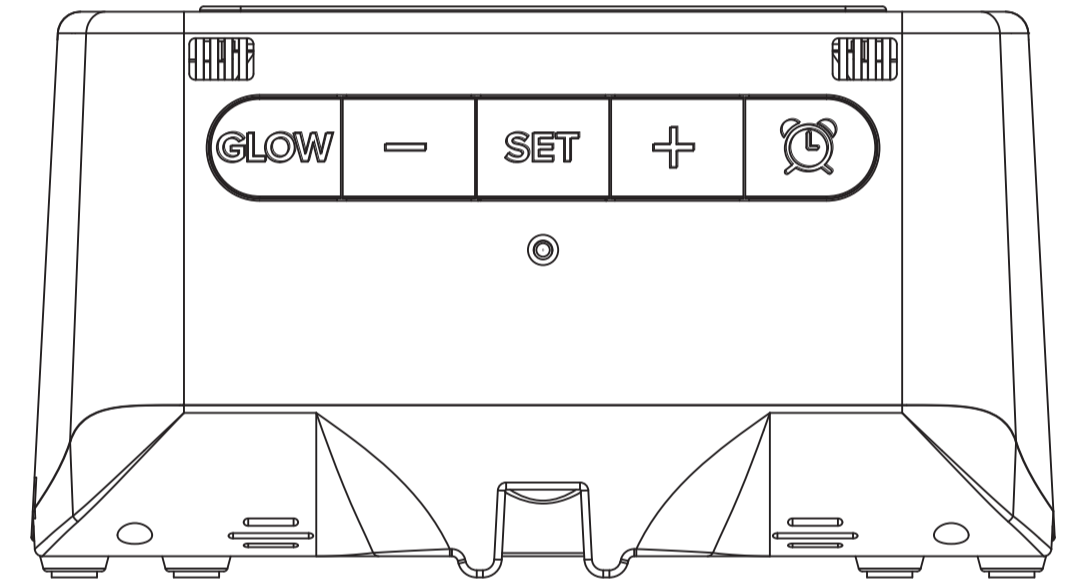
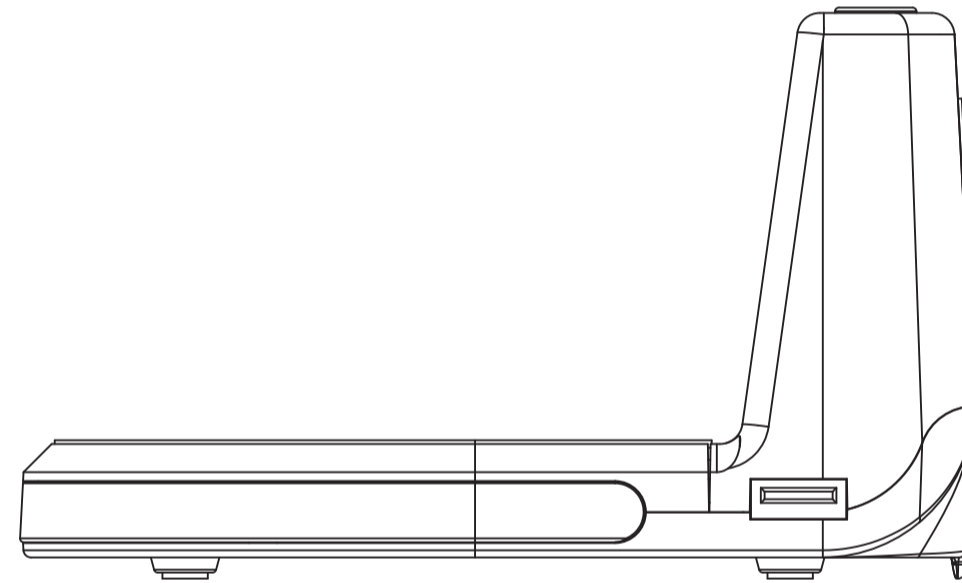
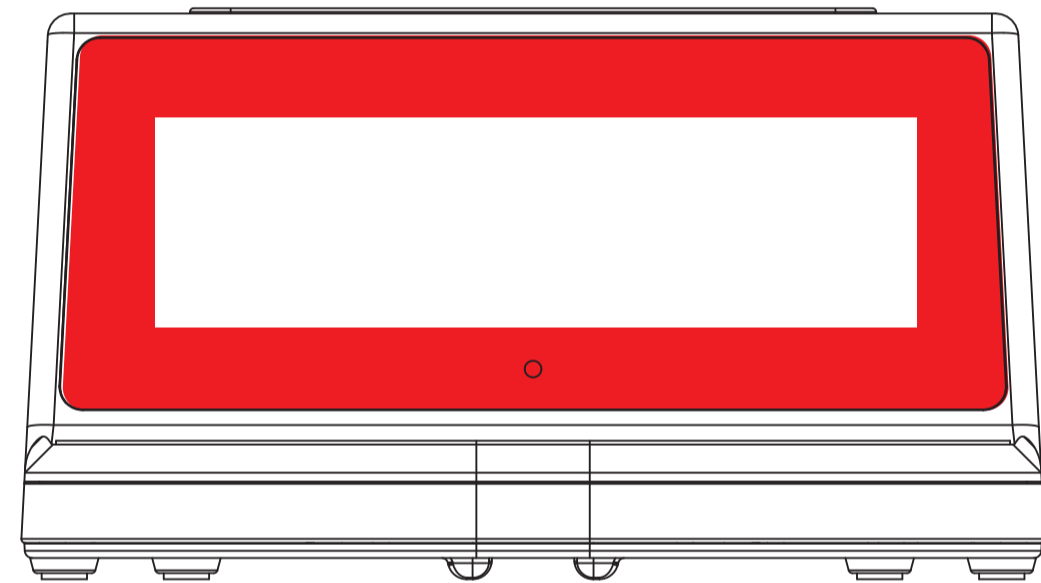
三连键 皮纹做OMK 079, 凹字做高亮面

二连键 皮纹做OMK 079, 凹字做高亮面

反光环 亮面

灯罩 表面皮纹做OMK 055

硅胶垫 磨砂面



SNOOZE | LIGHT
刻凹字, 比例1:1

⊕ ⊖
DC 5.0V
Power Cable
Required for
Operation
刻凹字, 比例1:1

GLOW - SET + 
刻凹字, 比例1:1

Designed in La Crosse, WI
Made in
China
刻凹字, 比例1:1