

**WS-8035U-IT**  
**Wireless 915 MHz**  
**Wireless Weather Station**  
**Instruction Manual**

**FCC ID: OMO-TX29U (transmitter)**

**RF Exposure mobile:**

The internal / external antennas used for this mobile transmitter must provide a separation distance of at least 20 cm (8 inches) from all persons and must not be co-located or operating in conjunction with any other antenna or transmitter."

**Statement according to FCC part 15.19:**

This device complies with Part 15 of the FCC Rules. Operation is subject to the following two conditions: (1) this device may not cause harmful interference, and (2) this device must accept any interference received, including interference that may cause undesired operation.

**Statement according to FCC part 15.21:**

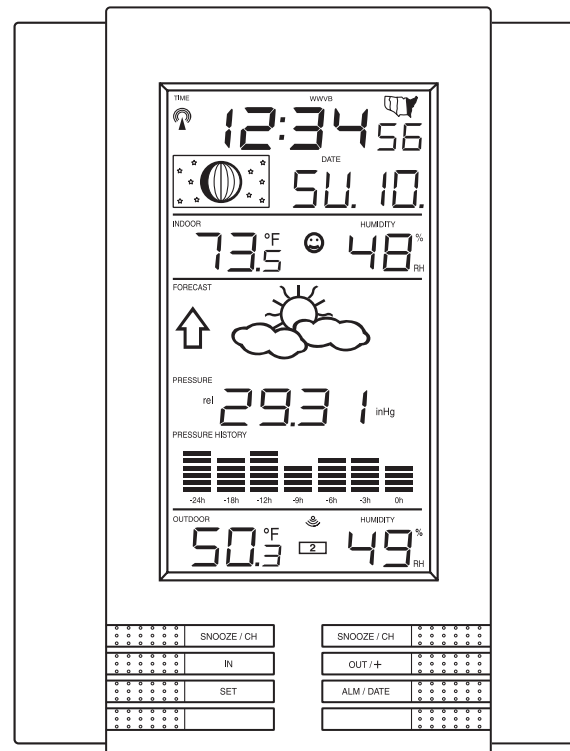
Modifications not expressly approved by this company could void the user's authority to operate the equipment.

**Statement according to FCC part 15.105:**

**NOTE:** This equipment has been tested and found to comply with the limits for a Class B digital device, pursuant to Part 15 of the FCC Rules. These limits are designed to provide reasonable protection against harmful interference in a residential installation. This equipment generates, uses and can radiate radio frequency energy and, if not installed and used in accordance with the instructions, may cause harmful interference to radio communications.

However, there is no guarantee that interference will not occur in a particular installation. If this equipment does cause harmful interference to radio or television reception, which can be determined by turning the equipment off and on, the user is encouraged to try to correct the interference by one or more of the following measures:

- Reorient or relocate the receiving antenna.
  - Increase the separation between the equipment and receiver.
  - Connect the equipment into an outlet on a circuit different from that to which the receiver is connected.
- Consult the dealer or an experienced radio/TV technician for help



Tomorrow's Weather Today™

**Contents**

| Language | Page |
|----------|------|
| English  | 2    |
| French   | 20   |
| Spanish  | 39   |

**TABLE OF CONTENTS**

| Topic  | Page |
|--|------|
| Inventory of Contents/ Additional Equipment    | 3    |
| About WWVB                                     | 3    |
| Quick Set Up Guide                             | 4    |
| <b>Detailed Set Up Guide</b>                   |      |
| Battery Installation                           | 4    |
| Start Up Sequence                              | 6    |
| Explanation of LCD Information                 | 7    |
| Function Key Layout                            | 8    |
| <b>Program Mode</b>                            |      |
| Overview of Programming Sequence               | 8    |
| LCD Contrast Setting                           | 8    |
| Time Zone Setting                              | 8    |
| DST ON/OFF Setting                             | 8    |
| Radio-controlled Time ON/OFF Setting           | 9    |
| 12/24-hour Time Mode Setting                   | 9    |
| Setting the Time/Date Manually                 | 9    |
| Temperature Measuring Units (°F/°C)            | 10   |
| Air Pressure Measuring Units (inHg/hPa)        | 10   |
| Relative Pressure Setting                      | 10   |
| Forecast Sensitivity Setting                   | 10   |
| <b>Features and Operation</b>                  |      |
| Time Alarm Setting and Operation               | 11   |
| Moon Phase                                     | 11   |
| Minimum/Maximum Temperature/Humidity           | 11   |
| Multiple Remote Temperature/Humidity Sensors   | 12   |
| Comfort Icon                                   | 13   |
| Weather Forecast and Pressure Trend Indicators | 13   |
| Weather Icons                                  | 13   |
| Weather Tendency Arrows                        | 14   |
| Barometric Air Pressure Reading                | 14   |
| Air Pressure History Bar Chart                 | 14   |
| <b>Mounting</b>                                |      |
| Mounting                                       | 14   |
| <b>Maintenance and Care</b>                    |      |
| Maintenance and Care                           | 16   |
| <b>Troubleshooting Guide</b>                   |      |
| Troubleshooting Guide                          | 16   |
| <b>Specifications</b>                          |      |
| Specifications                                 | 17   |
| <b>Warranty Information</b>                    |      |
| Warranty Information                           | 18   |

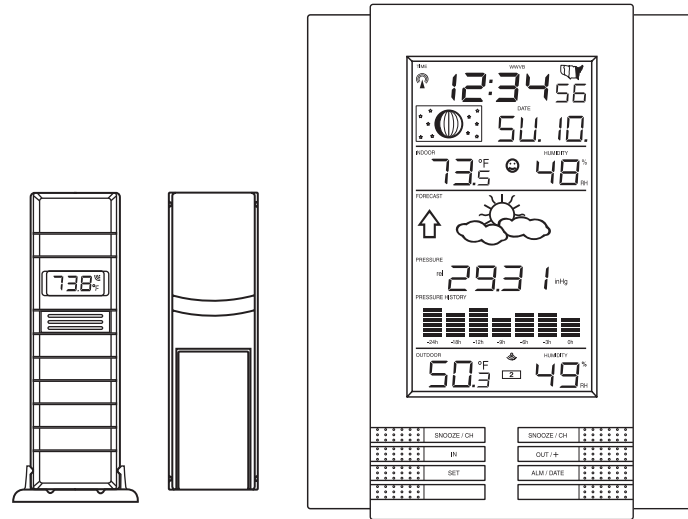
This product offers:



**INSTANT TRANSMISSION** is the state-of-the-art new wireless transmission technology, exclusively designed and developed by **LA CROSSE TECHNOLOGY**. **INSTANT TRANSMISSION** offers you an immediate update (every 4 seconds!) of all your outdoor data measured from the transmitters: follow your climatic variations in real-time!

**INVENTORY OF CONTENTS**

1. WS-8035U-IT-Wireless Weather Station
2. TX29UD-TH-IT-remote thermo/hygro (temperature/humidity) sensor
3. Instruction manual and warranty card



**ADDITIONAL EQUIPMENT (not included)**

1. Five fresh AA 1.5V alkaline batteries.
2. One wall-mounting screw (optional)

**ABOUT WWVB (radio-controlled time)**

The NIST (National Institute of Standards and Technology-Time and Frequency Division) radio station, WWVB, is located in Ft. Collins, Colorado and transmits the exact time signal continuously throughout the United States at 60 kHz. The signal can be received up to 2,000 miles away through the internal antenna in the indoor weather station. However, due to the nature of the Earth's ionosphere, reception is very limited during daylight hours. The Wireless Weather Stations will search for a signal every night when reception is best. The WWVB radio station derives its signal from the NIST Atomic clock in Boulder, Colorado. A team of atomic physicists continually measure every second of every day to an accuracy of ten billionths of a second a day. These physicists have created an international standard, measuring a second as 9,192,631,770 vibrations of a Cesium 133 atom in a vacuum. For more information about WWVB please see the NIST website at <http://www.boulder.nist.gov/timefreq/stations/wwvb.htm>

**QUICK SET-UP GUIDE**

**Hint:** Use good quality Alkaline Batteries and avoid rechargeable batteries.

1. Have the Wireless Weather Station and remote thermo/hygro sensor 3 to 5 feet apart.
2. Batteries should be out of both units for 10 minutes.
3. Place the batteries into the **remote thermo/hygro sensor** first then into the Wireless Weather Station.  
(All remote thermo/hygro sensors must be started before the Wireless Weather Station)
4. **DO NOT PRESS ANY BUTTONS FOR 15 MINUTES.**

In this time the Wireless Weather Station and remote thermo/hygro sensor will start to talk to each other and the display will show both the indoor temperature/humidity and an outdoor temperature/humidity. If the Wireless Weather Station does not display both temperatures after the 15 minutes please retry the set up as stated above. After both indoor and outdoor temperatures and humidity are displayed for 15 minutes you can place your remote thermo/hygro sensor outdoor and set your time.

The remote thermo-hygro sensor should be placed in a dry, shaded area. The thermo-hygro sensor has a range of 330 feet. Keep in mind that the 330 feet is in open air with no obstructions and that radio waves DO NOT curve around objects. Actual transmission range will vary depending on what is in the path of the signal. Each obstruction (roof, walls, floors, ceilings, thick trees, etc.) will effectively cut signal range in half.

**Example:** A Wireless Weather Station with a 330 feet range is mounted on an interior wall, so that the signal has to pass through one interior wall, one exterior wall, and across the 10 feet width of the room between the 2 walls. The first wall will reduce the range to 165 feet, and the second wall will reduce the range to 87 feet. Factoring in the 10 foot room, this leaves a maximum of 77 feet of remaining signal range.

This allowance is typically enough for a frame wall with non-metallic siding; however certain materials can reduce range even further. Metal siding, stucco, and some types of glass can reduce signal range by as much as 3/4 or more, compared to the 1/2 reduction typical of most obstructions. It is possible to receive a signal through these materials, however maximum range will be much less due to their tendency to absorb or reflect a much larger portion of the sensor's signal.

**DETAILED SET-UP GUIDE**

**Battery Installation**

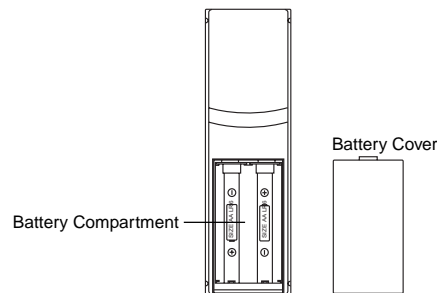
**I. BATTERY INSTALLATION (When on thermo/hygro sensor is being used)**

1. First, insert the batteries to the thermo/hygro sensor (see "A. Remote Thermo/hygro Sensor" below).
2. Within 2 minutes of powering up the sensor, insert the batteries to the Weather Station (see "B. Wireless Weather Station" below). Once the batteries are in place, all segments of the LCD will light up briefly. Following the indoor temperature and humidity, and the time as 12:00 will be displayed. If they are not shown in LCD after 60 seconds, remove the batteries and wait for at least 60 seconds before reinserting them. Once the indoor data is displayed user may proceed to the next step.
3. After the batteries are inserted, the Weather Station will start receiving data signal from the sensor. The outdoor temperature and humidity should then be displayed on the Weather Station. If this does not happen after 2 minutes, the batteries will need to be removed from both units and reset from step 1 and the signal reception icon is no longer shown.

**A. Remote Thermo/Hygro Sensor**

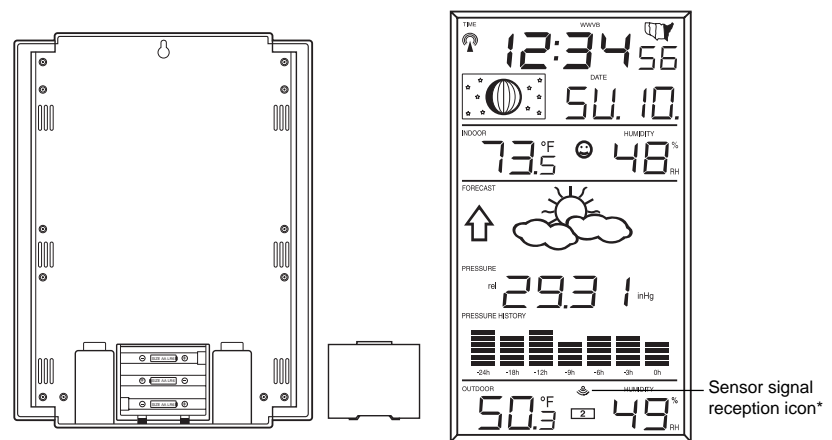
1. Remove the mounting bracket. The bracket snaps on and off easily.
2. Remove the battery cover, by sliding the cover down.
3. Observing the correct polarity install 2 AA batteries. The batteries will fit tightly (to avoid start-up problems make sure they do not spring free).

4. Replace the battery cover by sliding upwards. Be sure battery cover is on securely.



**B. Wireless Weather Station**

1. Remove the battery cover (the cover has white writing on it).
2. Observe the correct polarity, and install three Alkaline AA batteries.
3. Do not press any buttons for at least ten minutes. If a button is pressed before the indoor weather station has received information from the TX29UD-TH sensor, no data will be received from that sensor until reset.
4. Replace the battery cover.



\* When the signal is successfully received by the Weather Station, the icon will be switched on. (If not successful, the icon will not be shown in LCD) So the user can easily see whether the last reception was successful (icon on) or not (icon off). On the other hand, the short blinking of the icon shows that a reception is being done now.

\* If the signal reception is not successful on the first frequency (915MHz) for 45 seconds, the frequency is changed to 920MHz and the learning is tried another 45 seconds. If still not successful the reception is tried for 45 seconds on 910MHz. This will also be done for re-synchronization.

## II. Start Up Sequence

### A. Initial Start

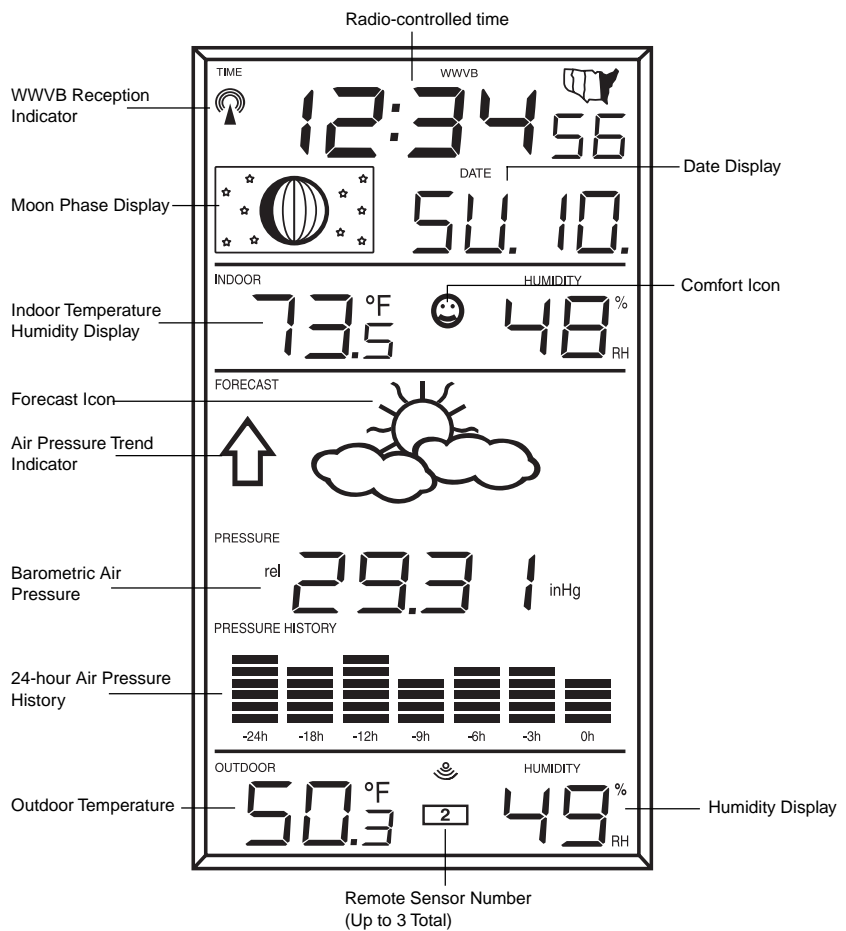
1. Immediately after the batteries have been installed, the Wireless Weather Station will sound a "beep", and the LCD will completely light up for a brief moment.
2. All information will then appear in normal mode, with "12:00" as the default time and "SA.1" as the default date (2006 as the year).
3. The indoor temperature and humidity, and barometric air pressure (as 29.92 inHg) will also be displayed.
4. There is a "satellite" icon that appears in the bottom portion of the LCD, between the outdoor temperature and humidity - this icon informs the user that the indoor weather station is looking for signals from the remote thermo/hygro sensor. Within five minutes the remote temperature and humidity should be displayed-if not, remove batteries from all units and repeat battery installation, the remote thermo/hygro sensor first, then the Wireless Weather Station.

### B. WWVB Reception

1. Once the batteries are installed in the Weather Station, it will automatically search for the WWVB signal. If it receives a good signal (which is unlikely during daylight hours in most locations), the WWVB reception indicator (looks like a tower icon) will flash. The Wireless Weather Station requires five full minutes of good reception to successfully capture the signal and set to the correct hour, minute, second, month, day and year. If the signal reception is not successful within ten minutes, the signal search will be cancelled. Next reception will take place the next day.
2. The signal is sent from Ft. Collins, Colorado only and is similar to an AM radio signal. Atmospheric interferences such as storms, sunspots, and even sunlight will cause the signal to not travel as far.
3. To maximize reception, place the Wireless Weather Station in a window facing Colorado, at least six feet from any electrical source (computers, televisions, refrigerators, etc.). Do not move the Wireless Weather Station while it is searching for the signal.
4. The time and date can be manually set. Once the signal is captured, it will override any time and date set to the time zone selected.
5. Once the time and date are set, the indoor weather station will conduct a search every night between midnight and 6:00 a.m and correct to the accurate time and date (Daylight Saving Time is automatic). If the signal has been received in the past 24 hours, the reception indicator will be displayed. After a successful reception, no more reception attempt would be made until the following day.

## III. Explanation of LCD Information

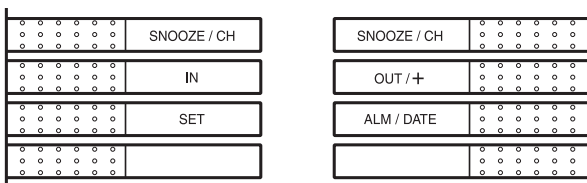
A. The below picture highlights the LCD features.



B. There are many different modes the Wireless Weather Station can be set to. The LCD shown is the normal operating mode, and your actual data shown will be different based on your local settings and conditions.

## IV. Function Key Layout

A. The below picture shows the six function keys used in programming and operation of your indoor weather station



## V. Program Mode

The program mode is laid out in a manner that allows you to program each function separately, or you can follow the instructions entirely to program the Wireless Weather Station. Complete programming is usually done for the initial set-up, and will require you to skip step 1,2 and 3 of each programming section. The programming mode can be exited at any time by either pressing the "Snooze/CH" button, or waiting for the 15-second time-out to take effect.

### A. Overview of programming mode sequence

|                                 |                          |               |
|---------------------------------|--------------------------|---------------|
| 1. LCD Contrast                 | 2. Time Zone             | 3. DST ON/OFF |
| 4. Radio-controlled Time ON/OFF | 5. 12/24-hour time mode  | 6. Hour       |
| 7. Minute                       | 8. Year                  | 9. Month      |
| 10. Date                        | 11. °F/°C                | 12. inHg/hPa  |
| 13. Relative pressure setting   | 14. Forecast sensitivity |               |

### B. LCD Contrast Setting

1. Press and hold the "SET" button for five seconds.
2. "lcd" will appear at the top of the display and a number will flash next to it.
3. Press and release the "OUT/+" button to select the desired LCD contrast setting.
4. Press and release the "SET" button to confirm the LCD contrast setting and continue to the Time Zone setting.

### C. Time Zone Setting

1. Press and hold the "SET" button for five seconds.
2. "lcd" will appear at the top of the display and a number will flash next to it.
3. Press and release the "SET" button once more to advance to the Time Zone setting.
4. A number will flash to the left of the letter "h" at the top of the display just below the time display.
5. Press and release the "+" button to select the desired time zone.
6. Press and release the "SET" button to confirm the Time Zone setting and continue to the DST ON/OFF setting.

### D. DST ON/OFF Setting

1. Press and hold the "SET" button for five seconds.
2. "lcd" will appear at the top of the display and a number will flash next to it.
3. Press and release the "SET" button twice more to advance to the DST ON/OFF setting.
4. "DST" will appear to the right of the Moon Phase display and "ON" or "OFF" will flash above that.
5. Press and release the "OUT/+" button to select DST ON/OFF.

**Note:** Some locations (Arizona and parts of Indiana) do not follow Daylight Saving Time.

6. Press and release the "SET" button to confirm the DST ON/OFF setting and continue to the Radio-controlled Time ON/OFF setting.

### E. Radio-controlled Time ON/OFF Setting

1. Press and hold the "SET" button for five seconds.
2. "lcd" will appear at the top of the display and a number will flash next to it.
3. Press and release the "SET" button three more times to advance to the Radio-controlled time ON/OFF setting.
4. "RCC" will appear to the right of the Moon Phase display and "ON" or "OFF" will flash above that.
5. Press and release the "+" button to select Radio-controlled time ON/OFF setting.
6. Press and release the "SET" button to confirm the Radio-controlled time ON/OFF setting and continue to the 12/24-hour Time Mode setting.

### F. 12/24-hour Time Mode

1. Press and hold the "SET" button for five seconds.
2. "lcd" will appear at the top of the display and a number will flash next to it.
3. Press and release the "SET" button four more times to advance to the 12/24-hour time mode setting.
4. "12h" or "24h" will flash to the right of the Moon Phase display.
5. Press and release the "OUT/+" button to select 12 or 24-hour time mode.

**Note:** In 12h mode "PM" will appear to the left of the time during PM hours. If the time is not within the PM hours nothing will be displayed. Be sure to set the time to the correct AM/PM time to ensure automatic reception.

6. Press and release the "SET" button to confirm the 12/24-hour time mode setting and continue to the Hour setting.

### G. Setting The Hour Manually

The WWVB signal will override any manual set time and date information. The time will be based on the time zone selected.

1. Press and hold the "SET" button for five seconds.
2. "lcd" will appear at the top of the display and a number will flash next to it.
3. Press and release the "SET" button five more times to advance to the Manual Hour setting.
4. The hour will begin to flash at the top of the display.
5. Press and release the "OUT/+" button to select the desired hour.
6. Press and release the "SET" button to confirm the hour setting and continue to the Minute setting.

### H. Setting The Minutes Manually

1. Press and hold the "SET" button for five seconds.
2. "lcd" will appear at the top of the display and a number will flash next to it.
3. Press and release the "SET" button six more times to advance to the Manual Minutes setting.
4. The minutes will begin to flash at the top of the display.
5. Press and release the "OUT/+" button to select the desired minutes.
6. Press and release the "SET" button to confirm the minutes and continue to the Year setting.

### I. Setting The Year Manually

1. Press and hold the "SET" button for five seconds.
2. "lcd" will appear at the top of the display and a number will flash next to it.
3. Press and release the "SET" button seven more times to advance to the Manual Year setting.
4. The year will begin to flash to the right of the Moon Phase display.
5. Press and release the "OUT/+" button to select the desired year.
6. Press and release the "SET" button to confirm the year and continue to the Month setting.

### J. Setting The Month Manually

1. Press and hold the "SET" button for five seconds.
2. "lcd" will appear at the top of the display and a number will flash next to it.
3. Press and release the "SET" button eight more times to advance to the Manual Month setting.
4. The Month will begin to flash to the right of the Moon Phase display.

5. Press and release the "OUT/+" button to select the desired month.
6. Press and release the "SET" button to confirm the month and continue to the Date setting.

#### K. Setting The Date Manually

1. Press and hold the "SET" button for five seconds.
2. "lcd" will appear at the top of the display and a number will flash next to it.
3. Press and release the "SET" button nine more times to advance to the Manual Date setting.
4. The date will begin to flash to the right of the Moon Phase display.
5. Press and release the "OUT/+" button to select the desired date.
6. Press and release the "SET" button to confirm the date and continue to the Temperature Measuring Units setting.

#### L. Temperature Measuring Units Selection ("F" or "C")

1. Press and hold the "SET" button for five seconds.
2. "lcd" will appear at the top of the display and a number will flash next to it.
3. Press and release the "SET" button ten more times to advance to the Temperature Measuring Units setting.
4. "F" or "C" will flash at the top of the display.
5. Press and release the "OUT/+" button to select the desired temperature measuring unit.
6. Press and release the "SET" button to confirm the temperature measuring unit and continue to the Air Pressure Measuring Units setting.

#### M. Air Pressure Measuring Units Selection (inHg/hPa)

1. Press and hold the "SET" button for five seconds.
2. "lcd" will appear at the top of the display and a number will flash next to it.
3. Press and release the "SET" button eleven more times to advance to the Air Pressure Measuring Units setting.
4. inHg or hPa will flash at the top of the display.
5. Press and release the "OUT/+" button to select the desired air pressure measuring unit.
6. Press and release the "SET" button to confirm the air pressure measuring unit and continue to the Relative Pressure setting.

#### N. Relative Pressure Setting

1. Press and hold the "SET" button for five seconds.
2. "lcd" will appear at the top of the display and a number will flash next to it.
3. Press and release the "SET" button twelve more times to advance to the Relative Pressure setting.
4. The barometric air pressure will flash in the middle of the display, just below the forecast icon.
5. Press and release the "OUT/+" or "IN" button to select the desired relative air pressure value.
6. Press and release the "SET" button to confirm the relative pressure setting and continue to the Forecast Sensitivity setting.

#### O. Forecast Sensitivity Setting

1. Press and hold the "SET" button for five seconds.
2. "lcd" will appear at the top of the display and a number will flash next to it.
3. Press and release the "SET" button thirteen more times to advance to the Forecast sensitivity setting.
4. The two air pressure tendency arrows will begin flashing on either side of the forecast icon and a flashing number will appear under the forecast icon.
5. Press and release the "OUT/+" button to select the desired forecast sensitivity setting.

**Note:** Barometric air pressure is usually reported as "relative air pressure". This reading is based on the combination of absolute air pressure and altitude. In general, an increase in altitude will result in a decrease in air pressure. Relative air pressure will make readings in nearby locations relative to each other to allow for proper forecasting. The absolute air pressure reading in the Weather Station cannot be calibrated, only the relative air pressure.

- a. From the normal display mode, press and release the "IN" key once to view the indoor maximum temperature and humidity ("MAX" will be displayed above the indoor temperature and humidity).
- b. Press and release the "IN" key again to view the indoor minimum temperature and humidity.
- c. Press and release the "IN" key again to return to the normal mode (timeout of viewing minimum/maximum values will occur if no keys are pressed for fifteen seconds).

**Note:** To reset the indoor minimum and maximum temperature and humidity, first display the values you wish to reset (minimum or maximum). Next press and hold the "SET" key for at least three seconds. You will see then that the values will reset to the current temperature and humidity and corresponding time.

#### 2. Outdoor Minimum and Maximum Temperature and Humidity

The Wireless Weather Station automatically stores the minimum and maximum outdoor temperature and humidity. The minimum and maximum values are updated automatically when a new minimum or maximum is recorded, or until manually reset.

- a. From the normal display mode, press and release the "OUT/+" key once to view the outdoor maximum temperature and humidity ("MAX" will be displayed above the outdoor temperature and humidity).
- b. Press and release the "OUT/+" key again to view the outdoor minimum temperature and humidity.
- c. Press and release the "OUT/+" key again to return to the normal mode (timeout of viewing minimum/maximum values will occur if no keys are pressed for fifteen seconds).

**Note:** To reset the outdoor minimum and maximum temperature and humidity, first display the values you wish to reset (minimum or maximum). Next press and hold the "SET" key for at least three seconds. You will see then that the values will reset to the current temperature and humidity and corresponding time.

#### D. Multiple Remote Temperature Sensors

The WS-8035U-IT is able to receive signals from 2 additional thermo/hygro sensors. The following are instructions for the set-up of remote thermo/hygro sensor units with the WS-8035U-IT. These extra sensors can be purchased through the same dealer as this unit.

1. Remove all the batteries from the receiver and sensor(s) and wait 60 seconds. During these 60 seconds, press any button 20 times to discharge any excess power.
2. Insert the batteries to the first thermo/hygro sensor.
3. Within 2 minutes of powering up the first sensor, insert the batteries to the Weather Station. Once the batteries are in place, all segments of the LCD will light up briefly. Following the indoor temperature and humidity, and the time as 12:00 will be displayed. If they are not shown in LCD after 60 seconds, remove the batteries and wait for at least 60 seconds before reinserting them.
4. The outdoor temperature and humidity from the first sensor (channel 1) should then be displayed on the Weather Station. If this does not happen and the signal reception icon is not shown, after 2 minutes, the batteries will need to be removed from both units and reset from step 1.
5. Insert the batteries to the second sensor as soon as the outdoor temperature and humidity readings from the first sensor are displayed on the Weather Station.

**NOTE:** You must insert the batteries into the second sensor within 10 seconds of reception of the first sensor.

6. The outdoor temperature and humidity from the second sensor and the "channel 2" icon should then be displayed on the Weather Station. If this does not happen after 2 minute, the batteries will need to be removed from all the units and reset from step 1.

6. Press and release the "SET" button to confirm the forecast sensitivity setting.

#### THE MANUAL SETTING IS NOW COMPLETED

#### FEATURES AND OPERATIONS

##### A. Time Alarm Setting and Operation

1. To set the time alarm:
  - a. Press and hold the ALM/DATE button for 5 seconds.
  - b. The alarm time will begin to flash to the right of the moon phase.
  - c. Press and release the IN button to adjust the hour.

**Note:** When in the 12-hour mode and setting an alarm for a time between noon and midnight, "PM" will appear to the left of the alarm time.

- d. Press and release the OUT/+ button to adjust the minutes.
- e. Press and release either of the SNOOZE/CH buttons to confirm the setting or wait for 20 seconds and the display will automatically return to the normal mode.

##### 2. To activate the alarm:

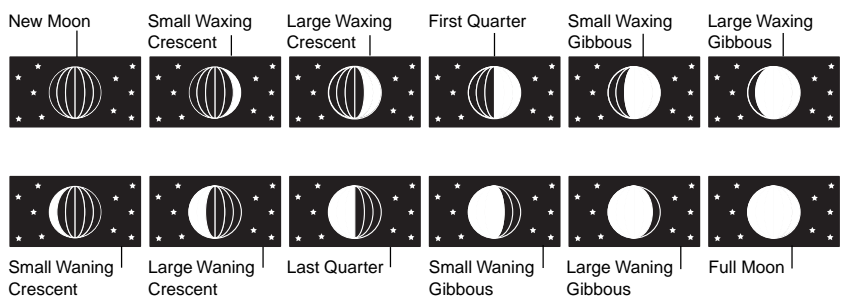
- a. Press and release the ALM/DATE button to toggle between the alarm time and the day and date.
- b. When the alarm time and alarm icon are showing to the right of the moon phase the alarm is activated.
- c. When the day and date are showing in the DATE LCD the alarm is deactivated.

##### 3. To activate the snooze:

- a. While the alarm is sounding press and release the SNOOZE/CH button.
- b. The snooze will be activated for 10 minutes. The alarm will come back on after 10 minutes.
- c. To deactivate the snooze function press and release any button other than either of the SNOOZE/CH buttons.

##### B. Moon Phase

1. There are 12 moon phases shown on the indoor weather station; the white portion signifies the portion of the moon visible in the sky. Thus, when the moon icon is all white, it is a full moon. The indoor weather station is programmed with all moon phases from the year 2003 until 2029.



##### C. Minimum and Maximum Temperature and Humidity

###### 1. Indoor Minimum and Maximum Temperature and Humidity

The Wireless Weather Station automatically stores the minimum and maximum indoor temperature and humidity. The minimum and maximum values are updated automatically when a new minimum or maximum is recorded, or until manually reset.

7. Insert the batteries to the third sensor as soon as the "channel 2" icon and outdoor data are displayed on the Weather Station. Then within 2 minutes, the channel 3 outdoor data from the third sensor will be displayed and the channel icon will shift back to "1" once the third transmitter is successfully received. If this is not happen, user shall restart the setting up from step 1.

**NOTE:** You must insert the batteries into the third sensor within 10 seconds of reception of the second sensor.

**IMPORTANT:** Transmission problems will arise if the setting for multiple sensors is not followed as described above. Should transmission problems occur, it is necessary to remove the batteries from all units and start again the set-up from step 1.

##### Viewing and Operating with Multiple Remote Sensors

- a. To view the temperature of a different remote sensor press and release either of the "SNOOZE/CH" buttons. A shift from one "boxed" number to the next should be observed in the OUTDOOR LCD.
- b. The minimum and maximum temperature of the additional remote sensor can be displayed by pressing the "OUT/+" button.
- c. To reset the minimum and maximum temperature readings press and hold the "SET" button for 3 seconds and that temperature/humidity record for that remote sensor will be reset only.

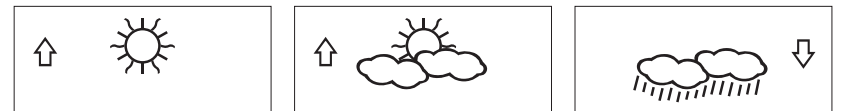
Each remote sensor will have its own minimum and maximum values stored.

##### E. Comfort Indicator for Indoor Temperature and Humidity

1. The comfort level indicator appears inbetween the indoor temperature and humidity.
2. The indicator will display a "happy-face" when the temperature is between 68°F and 79°F (20°C and 25.9°C), and the humidity is between 45% and 65%.
3. A "sad-face" will be displayed when the temperature and humidity are outside the mentioned ranges.

##### F. Weather Forecast Icon and Pressure Trend Indicators

The weather forecasting feature is estimated to be 75% accurate, and is based solely upon the change of air pressure over time. The WS-8035U-IT averages past air-pressure readings to provide an accurate forecast-creating a necessity to disregard all weather forecasting for 12-24 hours after the unit has been set-up, reset, or moved from one altitude to another (i.e. from one floor of a building to another floor). In areas where the weather is not affected by the change of air pressure, this feature will be less accurate.

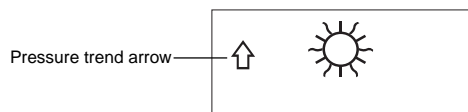


###### 1. Weather Icons

- a. There are 3 possible weather icons that will be displayed at various times in the center of the Wireless Weather Station
  - i. Sunny-indicates that the weather is expected to improve (not that the weather will be sunny).
  - ii. Sun with Clouds-indicates that the weather is expected to be fair (not that the weather will be sunny with clouds).
  - iii. Clouds with Rain-indicates that the weather is expected to get worse (not that the weather will be rainy).
- b. The weather icons change when the unit detects a change in air pressure.
- c. The icons change in order, from "sunny" to "sun with clouds" to "clouds with rain" or the reverse.
- d. It will not change from "sunny" directly to "clouds with rain", although it is possible for the change to

occur quickly.

- e. If the symbols do not change, the weather has not changed (or the change has been slow and gradual).
- f. The sensitivity of the change in forecast icon is set by the user in section O of the Detailed Set Up Guide.



#### G. Weather Tendency Arrows

1. Along with the forecast icon there is a pressure tendency arrow.
2. There is one that points up (on the left side of the LCD) and one that points down (on the right side of the LCD).
3. These arrows reflect current changes in the air pressure.
4. An arrow pointing up indicates that the air pressure is increasing and the weather is expected to improve or remain good.
5. An arrow pointing down indicates that the air pressure is decreasing and the weather is expected to become worse or remain poor.

#### H. Barometric Air Pressure Reading

1. The actual barometric air pressure is displayed directly under the weather forecast icon.
2. The relative air pressure is calibrated by the user through the programming mode.
3. Please Follow the programming instructions in section N of the Detailed Set Up Guide to set this feature.

#### I. Air Pressure History Bar Chart

1. The bar chart indicates the air pressure history trend over the last 24 hours in 7 steps, 0h, -3h, -6h, -9h, -12h, -18h, and -24h.
2. The "0h" represents the current full hour air pressure recording.
3. The columns represent the "hPa" (0, ±2, ±4, ±6) at specific time.
4. The "0" in the middle of this scale is equal to the current pressure and each change (±2, ±4, ±6) represents how high or low in "hPa" the past pressure was compared to the current pressure.
5. If the bars are rising it means that the weather is getting better due to the increase of air pressure.
6. If the bars go down, it means the air pressure has dropped and the weather is expected to get worse from the present time "0h".

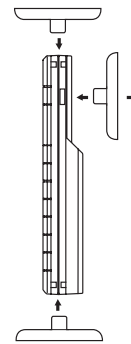
**Note:** For accurate barometric pressure trends, the Weather Station should operate at the same altitude for example, it should not be moved from the ground to the second floor of the house. Should the unit be moved to a new location, discard readings for the next 12-24 hours. This feature cannot be turned off.

### VII. MOUNTING

**Note:** Before permanently mounting, ensure that the Wireless Weather Station is able to receive signals from the transmitters and WWVB signal at the desired location. To achieve a true temperature reading, avoid mounting the remote thermo/hygro sensor (or any sensor) where direct sunlight can reach the remote sensor. We recommend that you mount the remote sensor on a North-facing wall or under an eave. The sending range of the remote thermo/hygro sensor is 330-ft (100m) however obstacles such as walls, concrete, and large metal objects can reduce the range. Place all units in their desired location, and wait approximately 15 minutes before permanently mounting to ensure that there is proper reception. If the indoor weather station loses the signal from the remote sensor, it will display the last temperature reading for 15 minutes. After 15 minutes of not receiving any signals, the remote temperature will display "-.-".

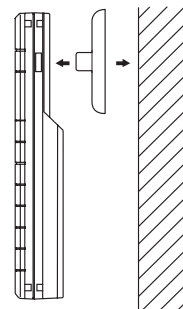
#### A. Mounting the Remote Thermo/hygro Sensor

The remote thermo/hygro sensor can be mounted with the use of screws or by using the adhesive tape.



##### A. MOUNTING WITH SCREWS

1. Remove the mounting bracket from the remote thermo/hygro sensor.
2. Place the mounting bracket over the desired location.
3. Through the three screw holes of the bracket, mark the mounting surface with a pencil.
4. Screw mounting bracket onto the mounting surface. Ensure that the screws are flush with the bracket.
5. Insert the remote thermo/hygro sensor into the bracket.



##### B. MOUNTING WITH ADHESIVE TAPE

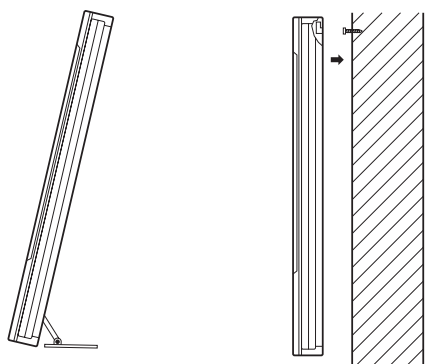
1. With a nonabrasive solution, clean and dry the back of the mounting bracket and the mounting surface to ensure a secure hold. The mounting surface should be smooth and flat.
2. Remove the protective strip from one side of the tape.
3. Adhere the tape to the designated area on the back of the mounting bracket.
4. Remove the protective strip from the other side of the tape.
5. Position the remote thermo/hygro sensor in the desired location, ensuring that the Wireless Weather Station can receive the signal.

**Note:** Mounting with adhesive tape is not recommended as a permanent mounting solution. Only use the adhesive tape during set-up process.

#### B. Mounting the WS-8035U-IT Wireless Weather Station

The Wireless Weather Station can be mounted in two ways; free standing or hanging on a wall.

To have the Wireless Weather Station free standing, simply unfold the stands on the back and set on a stable flat surface.



To wall mount the Wireless Weather Station;

1. Ensure that the integrated stands are folded in.
2. Fix a screw (not included) into the desired wall, leaving approximately 3/16 of an inch (5mm) extended from the wall.
3. Place the indoor weather station onto the screw using the hanging hole on the backside.
4. Gently pull the Wireless Weather Station down to lock the screw into place.

#### Maintenance and Care Instructions

- A. Extreme temperatures, vibration, and shock should be avoided to prevent damage to the units.
- B. Clean displays and units with a soft, damp cloth. Do not use solvents or scouring agents; they may mark the displays and casings.
- C. Do not submerge in water.
- D. Immediately remove all low powered batteries to avoid leakage and damage.
- E. Opening the casings invalidates the warranty. Do not try to repair the unit. Contact La Crosse Technology for repairs.

#### TROUBLESHOOTING

**Problem:** The LCD is faint.

**Solution:**

1. Set the LCD contrast to a higher level.
2. Replace batteries.

**Problem:** No outdoor temperature/humidity is displayed.

**Solution:**

1. Remove all batteries, reinsert into the remote thermo/hygro sensor first, then into the indoor weather station.
2. Place remote thermo/hygro sensor closer to the Wireless Weather Station.
3. Be sure all batteries are fresh.
4. No other interfering sources are being used (such as computer monitors, TV sets, headphones, or speakers) in the vicinity. The signal travels in a straight line, an electrical source near that "line" may cause interference.

**Problem:** Temperature, humidity, or air pressure is incorrect.

**Solution:**

1. Check/Replace batteries.
2. If multiple remote sensors are in use, check location with corresponding "boxed numbers."
3. Move away from sources of heat/cold.
4. Adjust relative air pressure to a value from a reliable source (TV radio, etc.).
5. The Wireless Weather Station and remote sensors are calibrated at the factory. If there is a consistent problem, please call La Crosse Technology.

**Problem:** "-.-" or "99%" in humidity display.

**Solution:**

1. Humidity is below 1% or above 99%.

**Problem:** WWVB time and date will not set or update

**Solution:**

1. Wait until overnight for signal to be received
2. Move Wireless Weather Station away from sources of electricity
3. Place Wireless Weather Station in window facing Colorado
4. The first reception is most difficult, as the indoor weather station needs five continual minutes of clear signal reception. After the initial time/date set, the indoor weather station only requires one full minute of clear reception each night.

#### SPECIFICATIONS

##### Temperature measuring range

Indoor 14.2°F to 139.8°F with 0.2°F resolution  
(-9.9°C to +59.9°C with 0.1°C resolution)  
("OFL" displayed if outside this range)

Outdoor -39.8°F to 139.8°F with 0.2°F resolution  
(-39.9°C to 59.9°C with 0.1°C resolution)  
("OFL" displayed if outside this range)

##### Relative humidity range

Indoor/Outdoor 1% to 99% with 1% resolution  
(Display "-.-" if temperature is OL.F; display "-.-" if < 1% and "99%" if > 99%)

##### Air pressure

Relative hPa (adjustable) 960 hPa to 1040 hPa  
Relative inHg (adjustable) 28.35 inHg to 30.72 inHg

Sensitivity setting hPa 2 hPa to 4 hPa  
Air pressure history For the past 24 hours (0, -3, -6, -9, -12, -18, and -24 hours)

##### Data checking intervals

Indoor temperature Every 15 seconds  
Indoor humidity Every 20 seconds

Outdoor temperature Every 4 seconds  
Outdoor humidity Every 4 seconds

##### Transmitter reading update (within sensor)

Outdoor temperature Every 4 seconds  
Outdoor humidity Every 4 seconds  
Transmission frequency 915 MHz  
Transmission range 330 feet max. (100m) in open space

##### Power supply

Wireless Weather Station 3 x AA (IEC LR6) 1.5V batteries.  
Thermo/Hygro Sensor 2 x AA (IEC LR6) 1.5V batteries.

##### Dimensions (H x W x D)

Wireless Weather Station 10 x 7.75 x 1 inches (254 x 197 x 25 mm)  
Thermo/Hygro Sensor 5.05 x 1.50 x 0.83 inches (128.3 x 38.2 x 21.2 mm)

## WARRANTY INFORMATION

La Crosse Technology, Ltd provides a 1-year limited warranty on this product against manufacturing defects in materials and workmanship.

This limited warranty begins on the original date of purchase, is valid only on products purchased and used in North America and only to the original purchaser of this product. To receive warranty service, the purchaser must contact La Crosse Technology, Ltd for problem determination and service procedures. Warranty service can only be performed by a La Crosse Technology, Ltd authorized service center. The original dated bill of sale must be presented upon request as proof of purchase to La Crosse Technology, Ltd or La Crosse Technology, Ltd's authorized service center.

La Crosse Technology, Ltd will repair or replace this product, at our option and at no charge as stipulated herein, with new or reconditioned parts or products if found to be defective during the limited warranty period specified above. All replaced parts and products become the property of La Crosse Technology, Ltd and must be returned to La Crosse Technology, Ltd. Replacement parts and products assume the remaining original warranty, or ninety (90) days, whichever is longer. La Crosse Technology, Ltd will pay all expenses for labor and materials for all repairs covered by this warranty. If necessary repairs are not covered by this warranty, or if a product is examined which is not in need or repair, you will be charged for the repairs or examination. The owner must pay any shipping charges incurred in getting your La Crosse Technology, Ltd product to a La Crosse Technology, Ltd authorized service center. La Crosse Technology, Ltd will pay ground return shipping charges to the owner of the product to a USA address only.

Your La Crosse Technology, Ltd warranty covers all defects in material and workmanship with the following specified exceptions: (1) damage caused by accident, unreasonable use or neglect (including the lack of reasonable and necessary maintenance); (2) damage occurring during shipment (claims must be presented to the carrier); (3) damage to, or deterioration of, any accessory or decorative surface; (4) damage resulting from failure to follow instructions contained in your owner's manual; (5) damage resulting from the performance of repairs or alterations by someone other than an authorized La Crosse Technology, Ltd authorized service center; (6) units used for other than home use (7) applications and uses that this product was not intended or (8) the products inability to receive a signal due to any source of interference. This warranty covers only actual defects within the product itself, and does not cover the cost of installation or removal from a fixed installation, normal set-up or adjustments, claims based on misrepresentation by the seller or performance variations resulting from installation-related circumstances.

LA CROSSE TECHNOLOGY, LTD WILL NOT ASSUME LIABILITY FOR INCIDENTAL, CONSEQUENTIAL, PUNITIVE, OR OTHER SIMILAR DAMAGES ASSOCIATED WITH THE OPERATION OR MALFUNCTION OF THIS PRODUCT. THIS PRODUCT IS NOT TO BE USED FOR MEDICAL PURPOSES OR FOR PUBLIC INFORMATION. THIS PRODUCT IS NOT A TOY. KEEP OUT OF CHILDREN'S REACH.

This warranty gives you specific legal rights. You may also have other rights specific to your State. Some States do not allow the exclusion of consequential or incidental damages therefore the above exclusion of limitation may not apply to you.

For warranty work, technical support, or information contact:

La Crosse Technology  
2809 Losey Blvd. S.  
La Crosse, WI 54601  
Phone: 608.782.1610  
Fax: 608.796.1020

e-mail:  
[support@lacrossetechnology.com](mailto:support@lacrossetechnology.com)  
(warranty work)

[sales@lacrossetechnology.com](mailto:sales@lacrossetechnology.com)  
(information on other products)

web:  
[www.lacrossetechnology.com](http://www.lacrossetechnology.com)

Questions? Instructions? Please visit:  
[www.lacrossetechnology.com/8035it](http://www.lacrossetechnology.com/8035it)

All rights reserved. This handbook must not be reproduced in any form, even in excerpts, or duplicated or processed using electronic, mechanical or chemical procedures without written permission of the publisher.

This handbook may contain mistakes and printing errors. The information in this handbook is regularly checked and corrections made in the next issue. We accept no liability for technical mistakes or printing errors, or their consequences.

All trademarks and patents are acknowledged.

GB P.18

P.19 GB

## TABLE DES MATIERES

| Sujet   | Page |
|---|------|
| Inventaire du contenu / Équipements supplémentaires             | 21   |
| À propos de WWVB  | 21   |
| Guide de configuration rapide                                   | 22   |
| <b>Guide de configuration détaillée</b>                         |      |
| Installation de piles   | 22   |
| Séquence de démarrage   | 23   |
| Explication des informations sur l'écran LCD                    | 25   |
| Arrangement de touche de fonction                               | 25   |
| <b>Mode de programme</b>  |      |
| Vue d'ensemble sur la séquence de programmation                 | 26   |
| Réglage du contraste de l'écran LCD                             | 26   |
| Réglage de fuseau horaire                                       | 26   |
| Réglage DST ON/OFF  | 26   |
| Réglage ON/OFF(MARCHE/ARRET) de l'heure radio-pilotée           | 26   |
| Réglage de mode horaire 12/24 heures                            | 27   |
| Réglage de l'heure/date manuellement                            | 27   |
| Unités de mesure de température (°F/°C)                         | 28   |
| Unités de mesure de pression atmosphérique (inHg/hPa)           | 28   |
| Réglage de la pression relative                                 | 28   |
| Réglage de la sensibilité de prévision                          | 28   |
| <b>Caractéristiques et fonctionnement</b>                       |      |
| Réglage et fonctionnement de l'alarme horaire                   | 29   |
| Phase de la lune  | 30   |
| Température /humidité minimum/maximum                           | 30   |
| Capteurs de température /humidité multiples à distance          | 31   |
| Icône confort   | 32   |
| Indicateurs de prévision météorologique et tendance de pression | 32   |
| Icônes météorologiques  | 32   |
| Flèches de tendance météorologiques                             | 32   |
| Lectures de pression atmosphérique barométrique                 | 33   |
| Graphe à barres d'historique de pression atmosphérique          | 33   |
| Montage   | 33   |
| Maintenance et entretien  | 34   |
| Guide de dépiage de fautes                                      | 35   |
| Spécifications  | 36   |
| Informations sur la garantie                                    | 37   |

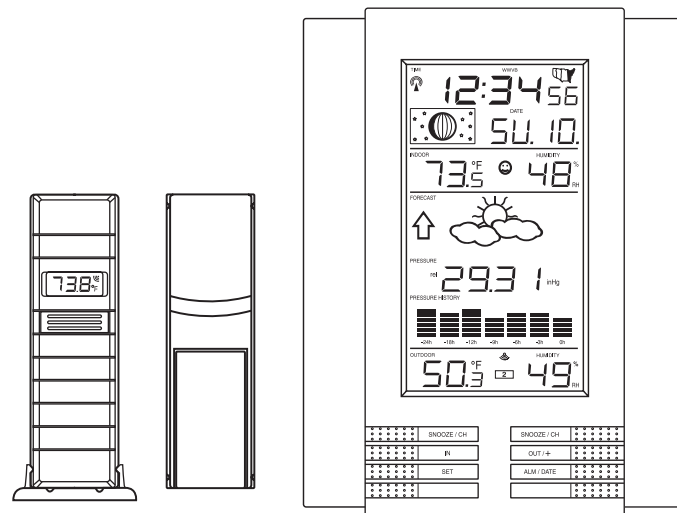
## Le produit vous offre:



**INSTANT TRANSMISSION** est la nouvelle technologie de transmission sans fil de pointe conçue et développée en exclusivité par **LA CROSSE TECHNOLOGY**. **INSTANT TRANSMISSION** assure la mise à jour immédiate (toutes les 4 secondes !) de toutes les données extérieures relevées par les capteurs: suivez les variations climatiques en temps réel!

## INVENTAIRE DU CONTENU

1. WS-8035U-IT-station météorologique intérieure
2. TX29UD-TH-IT -capteur thermo/hygro (température/humidité) à distance
3. Manuel d'instructions et carte de garantie



## ÉQUIPEMENTS SUPPLÉMENTAIRES (pas inclus)

1. Cinq nouvelles piles alcalines AA 1,5 V
2. Une vis pour montage mural (en option)

## À PROPOS DE WWVB (heure radio-pilotée)

La station radio du NIST (Institut national de normes et technologie - Division heure et fréquence), WWVB, est située à Ft. Collins, Colorado et transmet un signal horaire exact continuellement sur tous les États-Unis à 60 kHz. Le signal peut être reçu jusqu'à une distance de 2000 miles grâce à une antenne interne sur la station météorologique intérieure. Cependant, à cause de la nature de l'ionosphère terrestre, la réception est très limitée pendant les heures de lumière de jour. Une station météorologique recherchera le signal chaque nuit lorsque la réception est meilleure. La station radio WWVB dérive son signal de l'horloge atomique NIST à Boulder, Colorado. Une équipe de physiciens atomistes mesure continuellement chaque seconde de chaque jour avec une précision de dix milliardièmes de seconde par jour. Ces physiciens ont créé une norme internationale, mesurant une seconde comme 9 192 631 770 vibrations d'un atome 133 de Césium sous vide. Pour de plus amples informations à propos de WWVB, veuillez s'il vous plaît vous rendre sur le site web NIST à <http://www.boulder.nist.gov/timefreq/stations/wwvb.htm>.

F P.20

P.21 F

## GUIDE DE CONFIGURATION RAPIDE

**Conseil:** Utiliser des piles alcalines de bonne qualité; éviter les piles rechargeables.

1. Placez le capteur hygro-thermique à 1 m - 1 m 50 de la station météo sans fil.
2. Les piles doivent être retirées des deux unités depuis 10 minutes.
3. Insérez **en premier les piles du capteur hygro-thermique**, puis celles de la station météo sans fil.
4. **(Mettez sous tension tous les capteurs avant la station météo sans fil.)**  
N'APPUYER SUR AUCUNE TOUCHE PENDANT 15 MINUTES.

Pendant ce temps, la station météo sans fil et le capteur hygro-thermique commenceront à 'dialoguer', la station affichant la température intérieure et une température extérieure. Si la station météo n'affiche pas les deux températures dans les 15 minutes, répétez la procédure d'installation ci-dessus. Lorsque les températures intérieure et extérieure ont été affichées pendant 15 minutes, vous pouvez installer votre capteur hygro-thermique à l'extérieur et régler l'heure.

Le capteur hygro-thermique doit être placé dans un endroit sec et ombragé (ex. sous la corniche d'un toit). Le rayon d'émission du capteur hygro-thermique est de 100 mètres. Tout mur se trouvant sur la trajectoire du signal réduira sa portée. Un mur extérieur ou une fenêtre peut réduire la portée de 6 mètres au plus et un mur intérieur de 3 mètres. La distance, en tenant compte de ces réductions, ne doit pas excéder 100 mètres en ligne droite.

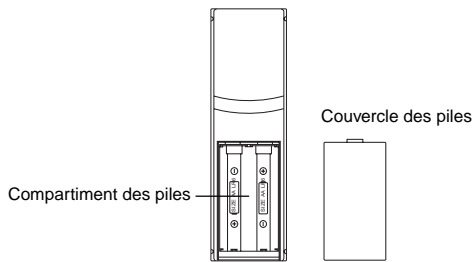
**NOTE:** Le brouillard et la brume n'auront aucun effet nuisible sur le capteur hygro-thermique mais la pluie doit être évitée.

## GUIDE DE PARAMÉTRAGE DÉTAILLÉ

### I. INSTALLATION DES PILES (Quand on utilise un capteur thermo-hygro)

1. Commencer par installer les piles du capteur thermo-hygro (voir "A. Capteur thermo-hygro" ci-dessous).
2. Dans les 2 minutes qui suivent la mise sous tension du capteur, installer les piles du poste de température (voir "B. Station météo sans fil" ci-dessous). Une fois que les piles sont en place, tous les segments du LCD s'affichent brièvement. Ensuite, la température intérieure et l'heure (12:00) s'affichent. Si elles ne s'affichent pas sur le LCD dans les 60 secondes qui suivent, retirer les piles et attendre au moins 60 secondes avant de les remettre en place. Une fois que les données intérieures sont affichées, passer à l'étape suivante.
3. Quand les piles sont en place, le poste météo commence à recevoir le signal des données du capteur. La température et l'humidité extérieures devraient s'afficher sur le poste météo. Si elles ne s'affichent pas dans les 2 minutes, retirer les piles de tous les appareils et recommencer à partir de l'étape 1; l'icône de réception du signal n'est plus affichée.

#### A. Capteur de température et d'humidité à distance

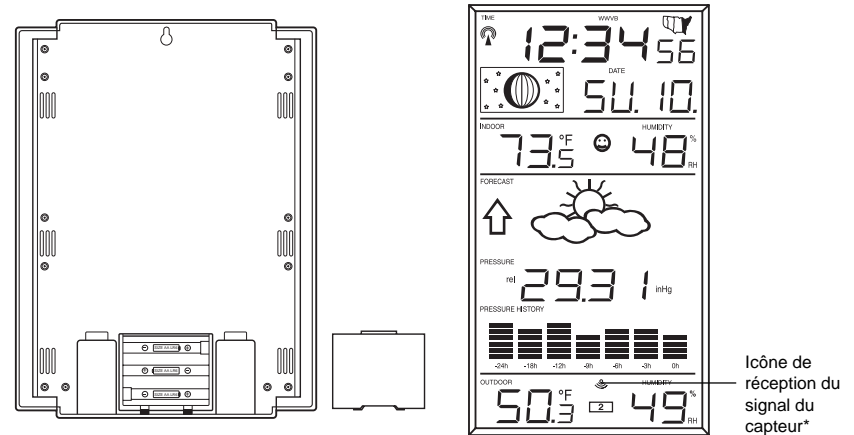


F P.22

1. Retirer le support mural.
2. Retirer le couvercle des piles.
3. En respectant les polarités, installer 2 piles AA/LR6 -en s'assurant qu'elles ne se dégagent pas de leurs contacts afin d'éviter les problèmes de mise en fonction.
4. Remettre le couvercle des piles en place.

#### B. Station météorologique intérieure

1. Enlevez le couvercle de pile (le couvercle possède un texte en blanc sur le dessus).
2. En faisant attention à la polarité, montez les 3 piles alcalines AA.
3. N'appuyez pas sur les touches pendant au moins 10 minutes. Si une touche est enfoncée avant que la station météorologique intérieure n'ait reçu des informations du capteur TX29UD-TH-IT, aucune donnée ne sera reçue de ce capteur avant qu'il ne soit réinitialisé.
4. Remplacez le couvercle de pile.



\* Quand le poste météo reçoit le signal, l'icône s'allume. (Sinon, l'icône n'apparaît pas sur le LCD). De cette façon, l'utilisateur peut voir facilement si la dernière réception a réussi (icône affichée) ou non (icône absent). Par ailleurs, un icône qui clignote rapidement indique qu'une réception est en cours.

### II. Séquence de démarrage

#### A. Démarrage initial

1. Immédiatement après que les piles aient été montées, la station météorologique intérieure émettra un "bip" sonore et l'écran LCD s'allumera complètement pendant un court instant.
2. Toutes les informations apparaîtront alors en mode normal avec "12:00" comme l'heure par défaut et "SA.1" comme la date par défaut (2006 comme l'année).
3. La température et l'humidité intérieures ainsi que la pression atmosphérique barométrique (comme 29,92 inHg) seront également affichées.
4. Il y a une icône "satellite" qui apparaît sur la partie basse de l'écran LCD, entre la température et l'humidité extérieure - cette icône informe l'utilisateur que la station météorologique intérieure est en train de chercher des signaux du capteur thermo/hygro à distance. Dans les cinq minutes qui suivent, la température et l'humidité à distance devraient également être affichées; si ce n'est pas le cas, enlevez les piles de toutes les unités et répétez l'installation des piles, sur le capteur de température extérieure tout d'abord, et ensuite sur la station météorologique intérieure.

P.23 F

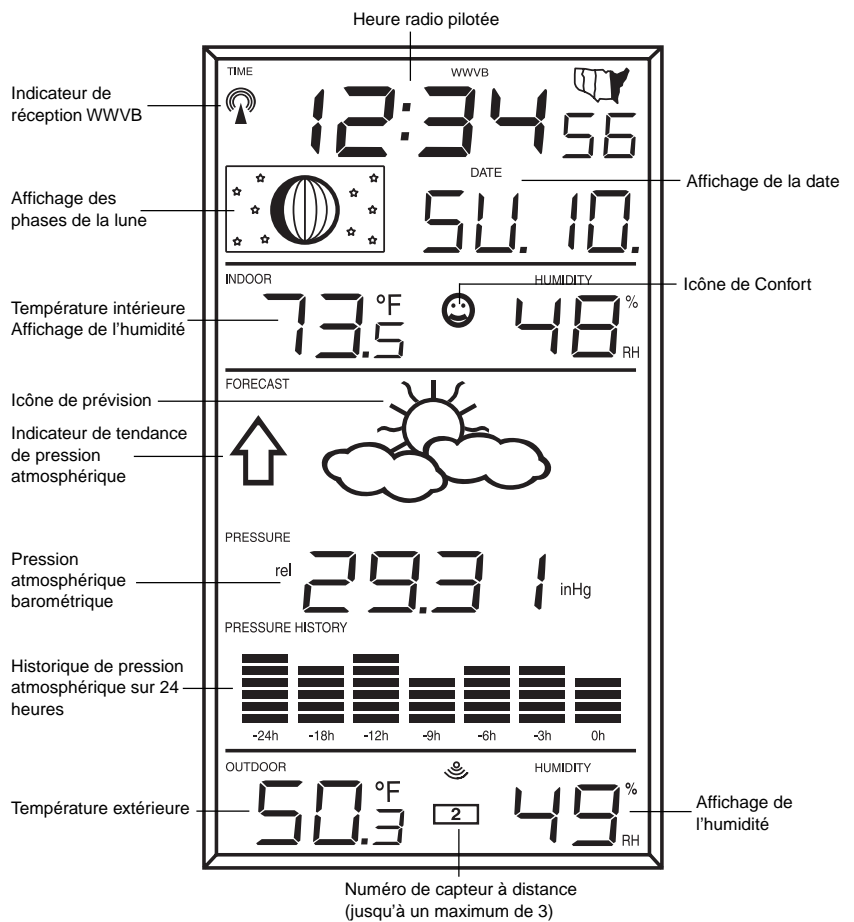
### B. Réception WWVB

1. Une fois que les piles ont été montées dans la station météorologique, elle recherchera automatiquement le signal WWVB. Si elle reçoit un bon signal (ce qui est très peu vraisemblable pendant les heures de lumière jour sur la plupart des sites), l'indicateur de réception WWVB (qui ressemble à une icône de tour) clignotera. La station météorologique intérieure a besoin de 5 minutes complètes de bonne réception pour capturer le signal avec succès et régler correctement l'heure, les minutes et les secondes, le mois, le jour et l'année. Si la réception du signal n'a pas été possible dans les dix minutes qui suivent, la recherche du signal sera annulée. La prochaine réception du signal se fera le lendemain.
2. Le signal est envoyé uniquement par Ft. Collins, Colorado et est identique à un signal radio AM. Les interférences atmosphériques telles que les orages, les taches solaires, et même la lumière solaire empêcheront le signal de parcourir de grandes distances.
3. Pour maximiser la réception, placez la station météorologique intérieure sur une fenêtre faisant face au Colorado, à au moins 3m (6 pieds) de toute source électrique (ordinateurs, télévisions, réfrigérateurs, etc.). Ne déplacez pas la station météorologique intérieure lorsqu'elle recherche le signal.
4. L'heure et la date peuvent être réglées manuellement. Une fois que le signal a été capturé, il annulera et remplacera toute date ou heure réglées sur le fuseau horaire sélectionné.
5. Une fois que l'heure et la date ont été réglées, la station météorologique intérieure effectuera une recherche toutes les nuits, entre minuit et 6h du matin, et corrigera l'heure et la date de façon précise (le réglage de l'heure avancée (été/hiver) est fait automatiquement. Après une réception réussite, aucune réception ne serait tenter jusqu'au lendemain.

F P.24

### III. Explication des informations sur l'écran LCD

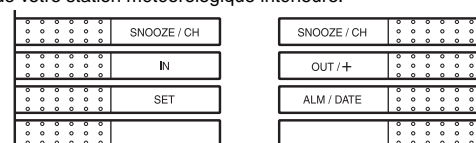
A. L'illustration ci-dessous montre les caractéristiques de l'écran LCD.



B. Il y a plusieurs différents modes dans lesquels la station météorologique intérieure peut être configurée. L'écran LCD illustré est le mode de fonctionnement normal, et votre donnée réelle montrée sera différente en fonction de vos réglages et conditions locaux.

### IV. Arrangement de touche de fonction

A. L'illustration ci-dessous montre les six touches de fonction utilisées pour la programmation et le fonctionnement de votre station météorologique intérieure.



P.25 F

## V. Mode de programme

Le mode de programme est présenté de telle façon qu'il vous permet de programmer chaque fonction séparément, ou vous pouvez suivre complètement les instructions pour programmer la station météorologique intérieure. La programmation complète est normalement exécutée lors de la configuration initiale et il vous suffira de sauter les étapes 1, 2 et 3 de chaque section de programmation. Le mode de programmation peut être à n'importe quel moment en appuyant sur la touche "Snooze/CH" ou en attendant le compte à rebours de 15 secondes sans effectuer aucune opération.

### A. Vue d'ensemble sur la séquence de programmation

|  |                              |               |
|--|------------------------------|---------------|
| 1. Réglage du contraste de l'écran LCD           | 2. Fuseau horaire            | 3. DST ON/OFF |
| 4. ON/OFF(MARCHE/ARRET) de l'heure radio-pilotée | 5. Mode horaire 12/24 heures | 6. Heure      |
| 7. Minute  | 8. Année                     | 9. Mois       |
| 10. Date   | 11. F/C                      | 12. inHg/hPa  |
| 13. Réglage de la pression relative              | 14. Sensibilité de prévision |               |

### B. Réglage du contraste de l'écran LCD

- Appuyez et maintenez enfoncé la touche "SET" pendant cinq secondes.
- "lcd" apparaîtra sur le haut de l'affichage et un numéro clignotera à côté.
- Appuyez et relâchez la touche "OUT/+" pour choisir le réglage de contraste de l'écran LCD.
- Appuyez et relâchez la touche "SET" pour confirmer le réglage de contraste de l'écran LCD et continuer le réglage du fuseau horaire.

### C. Réglage de fuseau horaire

- Appuyez et maintenez enfoncé la touche "SET" pendant cinq secondes.
- "lcd" apparaîtra sur le haut de l'affichage et un numéro clignotera à côté.
- Appuyez et relâchez, une fois de plus la touche "SET" pour continuer le réglage du fuseau horaire.
- Un numéro clignotera sur la gauche de la lettre "h" sur le haut de l'affichage juste sous l'affichage de l'heure.
- Appuyez et relâchez la touche "+" pour choisir le fuseau horaire désiré.
- Appuyez et relâchez la touche "SET" pour confirmer le fuseau horaire et continuer le réglage DST ON/OFF.

### D. Réglage DST ON/OFF

- Appuyez et maintenez enfoncé la touche "SET" pendant cinq secondes.
- "lcd" apparaîtra sur le haut de l'affichage et un numéro clignotera à côté.
- Appuyez et relâchez, deux fois de plus la touche "SET" pour continuer le réglage DST ON/OFF.
- "DST" apparaîtra sur la droite de l'affichage de la phase de la lune et "ON"(MARCHE) ou "OFF" (ARRET) clignoteront au-dessus.
- Appuyez et relâchez la touche "OUT/+" pour sélectionner DST ON/OFF.

**Note:** Certaines locations (Arizona, et certaines régions d'Inde) ne suivent pas l'heure avancée (été/hiver).

- Appuyez et relâchez la touche "SET" pour confirmer le réglage DST ON/OFF et continuer le réglage ON/OFF de l'heure radio-pilotée.

### E. Réglage de ON/OFF (MARCHE/ARRET) de l'heure radio-pilotée

- Appuyez et maintenez enfoncé la touche "SET" pendant cinq secondes.
- "lcd" apparaîtra sur le haut de l'affichage et un numéro clignotera à côté.
- Appuyez et relâchez trois fois de plus la touche "SET" pour continuer le réglage ON/OFF de l'heure radio-pilotée.
- "RCC" apparaîtra sur la droite de l'affichage de la phase de la lune et "ON"(MARCHE) ou "OFF" (ARRET) clignoteront au-dessus.

- Appuyez et relâchez la touche "+" pour continuer le réglage ON/OFF de l'heure radio-pilotée.
- Appuyez et relâchez la touche "SET" pour confirmer le réglage ON/OFF de l'heure radio-pilotée et continuer le réglage du mode horaire 12/24 heures.

### F. Réglage de mode horaire 12/24 heures

- Appuyez et maintenez enfoncé la touche "SET" pendant cinq secondes.
- "lcd" apparaîtra sur le haut de l'affichage et un numéro clignotera à côté.
- Appuyez et relâchez quatre fois de plus, la touche "SET" pour continuer le réglage du mode horaire 12/24 heures.
- "12h" ou "24h" apparaîtra sur la droite de l'affichage de la phase de la lune.
- Appuyez et relâchez la touche "OUT/+" pour choisir le mode horaire de 12 heures ou 24 heures.

**Note:** En mode 12 heures, "PM" (après-midi) apparaîtra sur la gauche de l'heure pendant les heures de l'après-midi. Si l'heure affichée n'est pas une heure de l'après-midi, rien ne sera affiché. Assurez-vous de régler l'heure correctement entre heures du matin (AM) et heure de l'après-midi (PM) afin d'avoir une réception automatique.

- Appuyez et relâchez la touche "SET" pour confirmer le réglage du mode horaire 12/24 heures et continuer le réglage de l'heure.

### G. Réglage de l'heure manuellement

Le signal WWVB annulera et remplacera toute information de date ou d'heure réglée manuellement. L'heure sera basée sur le fuseau horaire choisi.

- Appuyez et maintenez enfoncé la touche "SET" pendant cinq secondes.
- "lcd" apparaîtra sur le haut de l'affichage et un numéro clignotera à côté.
- Appuyez et relâchez cinq fois de plus, la touche "SET" pour continuer le réglage de l'heure manuellement.
- L'heure commencera à clignoter sur le haut de l'affichage.
- Appuyez et relâchez la touche "OUT/+" pour choisir l'heure désirée.
- Appuyez et relâchez la touche "SET" pour confirmer le réglage de l'heure et continuer le réglage des minutes.

### H. Réglage des minutes manuellement

- Appuyez et maintenez enfoncé la touche "SET" pendant cinq secondes.
- "lcd" apparaîtra sur le haut de l'affichage et un numéro clignotera à côté.
- Appuyez et relâchez six fois de plus, la touche "SET" pour continuer le réglage des minutes manuellement.
- Les minutes commenceront à clignoter sur le haut de l'affichage.
- Appuyez et relâchez la touche "OUT/+" pour choisir les minutes désirées.
- Appuyez et relâchez la touche "SET" pour confirmer les minutes et continuer le réglage de l'année.

### I. Réglage de l'année manuellement

- Appuyez et maintenez enfoncé la touche "SET" pendant cinq secondes.
- "lcd" apparaîtra sur le haut de l'affichage et un numéro clignotera à côté.
- Appuyez et relâchez sept fois de plus, la touche "SET" pour continuer le réglage de l'année manuellement.
- L'année commencera à clignoter sur la droite de l'affichage de la phase de la lune.
- Appuyez et relâchez la touche "OUT/+" pour choisir l'année désirée.
- Appuyez et relâchez la touche "SET" pour confirmer l'année et continuer le réglage du mois.

### J. Réglage du mois manuellement

- Appuyez et maintenez enfoncé la touche "SET" pendant cinq secondes.
- "lcd" apparaîtra sur le haut de l'affichage et un numéro clignotera à côté.
- Appuyez et relâchez huit fois de plus, la touche "SET" pour continuer le réglage du mois manuellement.

- Le mois commencera à clignoter sur la droite de l'affichage de la phase de la lune.
- Appuyez et relâchez la touche "OUT/+" pour choisir le mois désiré.
- Appuyez et relâchez la touche "SET" pour confirmer le mois et continuer le réglage de la date.

### K. Réglage de la date manuellement

- Appuyez et maintenez enfoncé la touche "SET" pendant cinq secondes.
- "lcd" apparaîtra sur le haut de l'affichage et un numéro clignotera à côté.
- Appuyez et relâchez neuf fois de plus, la touche "SET" pour continuer le réglage de la date manuellement.
- La date commencera à clignoter sur la droite de l'affichage de la phase de la lune.
- Appuyez et relâchez la touche "OUT/+" pour choisir la date désirée.
- Appuyez et relâchez la touche "SET" pour confirmer la date et continuer le réglage des unités de mesure de température.

### L. Sélection des unités de mesure de température (°F ou °C)

- Appuyez et maintenez enfoncé la touche "SET" pendant cinq secondes.
- "lcd" apparaîtra sur le haut de l'affichage et un numéro clignotera à côté.
- Appuyez et relâchez dix fois de plus, la touche "SET" pour continuer le réglage des unités de mesure de température.
- "F" ou "C" commencera à clignoter sur le haut de l'affichage.
- Appuyez et relâchez la touche "OUT/+" pour choisir l'unité de mesure de température désirée.
- Appuyez et relâchez la touche "SET" pour confirmer l'unité de mesure de température et continuer le réglage des unités de mesure de pression atmosphérique.

### M. Unités de mesure de pression atmosphérique (inHg/hPa)

- Appuyez et maintenez enfoncé la touche "SET" pendant cinq secondes.
- "lcd" apparaîtra sur le haut de l'affichage et un numéro clignotera à côté.
- Appuyez et relâchez onze fois de plus, la touche "SET" pour continuer le réglage des unités de mesure de pression atmosphérique.
- InHg ou hPa commencera à clignoter sur le haut de l'affichage.
- Appuyez et relâchez la touche "OUT/+" pour choisir l'unité de mesure de pression atmosphérique désirée.
- Appuyez et relâchez la touche "SET" pour confirmer l'unité de mesure de pression atmosphérique et continuer le réglage des unités de mesure de pression relative.

### N. Réglage de la pression relative

- Appuyez et maintenez enfoncé la touche "SET" pendant cinq secondes.
- "lcd" apparaîtra sur le haut de l'affichage et un numéro clignotera à côté.
- Appuyez et relâchez douze fois de plus, la touche "SET" pour continuer le réglage des unités de mesure de pression relative.
- La pression atmosphérique barométrique clignotera sur le milieu de l'affichage juste sous l'icône de prévision.
- Appuyez et relâchez la touche "OUT/+" ou "IN" pour choisir l'unité de mesure de pression atmosphérique désirée.
- Appuyez et relâchez la touche "SET" pour confirmer l'unité de mesure de pression relative et continuer le réglage de la sensibilité de prévision.

### O. Réglage de la sensibilité de prévision

- Appuyez et maintenez enfoncé la touche "SET" pendant cinq secondes.
- "lcd" apparaîtra sur le haut de l'affichage et un numéro clignotera à côté.
- Appuyez et relâchez treize fois de plus, la touche "SET" pour continuer le réglage de la sensibilité de prévision.
- Les deux flèches de tension de pression atmosphérique commenceront à clignoter des deux côtés de l'icône de prévision et un numéro clignotant apparaîtra sous l'icône de prévision.
- Appuyez et relâchez la touche "OUT/+" pour choisir le réglage désiré de la sensibilité de prévision.

**Note:** La pression atmosphérique barométrique est normalement reportée comme "pression atmosphérique relative". Cette lecture est basée sur la combinaison de la pression atmosphérique absolue et l'altitude. En général, une augmentation en altitude aura pour résultat une diminution de la pression atmosphérique. La pression atmosphérique relative fera des lectures sur des emplacements proches en rapport afin de pouvoir avoir une prévision correcte. La lecture de la pression atmosphérique absolue sur la station météorologique ne peut pas être étalonnée, seule, la pression atmosphérique relative peut être étalonnée.

- Appuyez et relâchez la touche "SET" pour confirmer le réglage de la sensibilité de prévision.

## LE RÉGLAGE MANUEL EST MAINTENANT TERMINÉ

### CARACTÉRISTIQUES ET FONCTIONNEMENTS

#### A. Réglage et fonctionnement de l'alarme horaire

##### 1. Pour régler l'alarme horaire:

- Appuyez et maintenez enfoncé la touche ALM/DATE pendant cinq secondes.
- L'heure d'alarme commencera à clignoter sur la droite de l'affichage de la phase de la lune.
- Appuyez et relâchez la touche IN pour régler l'heure.

**Note:** En mode 12 heures, et lors d'un réglage de l'alarme pour une heure se trouvant entre 12 heures (midi) et minuit, "PM" (après-midi) apparaîtra sur la gauche de l'heure d'alarme.

- Appuyez et relâchez la touche "OUT/+" pour régler les minutes.
- Appuyez et relâchez une des deux touches SNOOZE/CH pour confirmer le réglage ou attendez 20 secondes et l'affichage reviendra automatiquement sur le mode normal.

##### 2. Pour activer l'alarme :

- Appuyez et relâchez la touche ALM/DATE pour faire passer l'affichage entre le temps d'alarme et le jour et la date.
- Lorsque l'heure d'alarme et l'icône d'alarme sont affichées sur la droite de la phase de la lune, l'alarme est activée.
- Lorsque le jour et la date sont montrés sur l'écran LCD DE LA DATE (DATE LCD), l'alarme est désactivée.

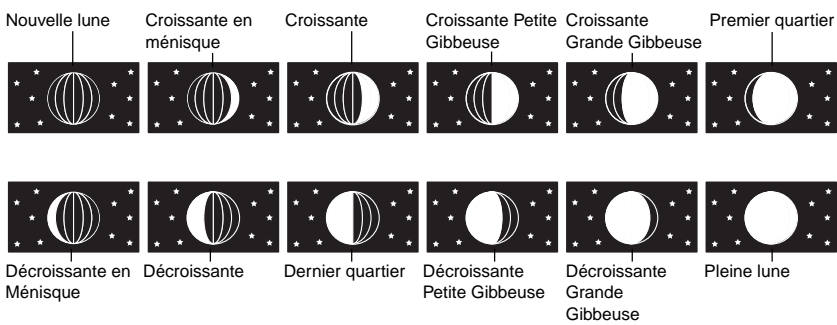
##### 3. Pour activer le rappel d'alarme (snooze):

- Lorsque l'alarme se fait entendre, appuyez et relâchez la touche SNOOZE/CH.
- Le rappel d'alarme (snooze) sera activé pour 10 minutes. L'alarme se fera à nouveau entendre après 10 minutes.
- Pour désactiver le rappel d'alarme (snooze), appuyez et relâchez sur n'importe quelle touche à l'exception des touches SNOOZE/CH.



## B. Phase de la lune

- Il y a 12 phases de la lune montrées sur la station météorologique intérieure, la portion noire signifie la portion de la lune visible dans le ciel. Donc, lorsque l'icône de la lune est toute noire, c'est la pleine lune. Une station météorologique intérieure est programmée avec toutes les phases de la lune de l'année 2003 à 2029.



## C. Température et humidité minimum et maximum

### 1. Température et humidité intérieures minimum et maximum

La station météorologique intérieure mémorise la température et l'humidité intérieures minimum et maximum. Les valeurs minimales et maximales sont mises à jour automatiquement lorsqu'un nouveau maximum ou un nouveau minimum est enregistré ou jusqu'à ce qu'elles soient manuellement réinitialisées.

- A partir du mode d'affichage normal, appuyez et relâchez une fois la touche "IN" pour visualiser la température et l'humidité intérieures maximales ("MAX" sera affiché au-dessus de la température et l'humidité intérieures).
- Appuyez et relâchez à nouveau la touche "IN" pour visualiser la température et l'humidité intérieures minimales.
- Appuyez et relâchez à nouveau la touche "IN" pour revenir sur le mode normal (une temporisation pour la visualisation des valeurs minimum/maximum se produira si aucune touche n'est enfoncée pendant 15 secondes).

**Note:** Pour réinitialiser la température et l'humidité intérieures maximum et minimum, affichez tout d'abord les valeurs que vous voulez réinitialiser (minimum ou maximum). Appuyez et maintenez enfoncée la touche "SET" pendant au moins trois secondes. Vous verrez alors que les valeurs se réinitialiseront à la température et l'humidité actuelles et à l'heure correspondante.

### 2. Température et humidité extérieures minimum et maximum

La station météorologique intérieure mémorise la température et l'humidité extérieures minimum et maximum. Les valeurs minimales et maximales sont mises à jour automatiquement lorsqu'un nouveau maximum ou un nouveau minimum est enregistré ou jusqu'à ce qu'elles soient manuellement réinitialisées.

- À partir du mode d'affichage normal, appuyez et relâchez une fois la touche "OUT/+" pour visualiser la température et l'humidité extérieures maximales ("MAX" sera affiché au-dessus de la température et l'humidité extérieures).
- Appuyez et relâchez à nouveau la touche "OUT/+" pour visualiser la température et l'humidité extérieures minimales.
- Appuyez et relâchez à nouveau la touche "OUT/+" pour revenir sur le mode normal (une temporisation pour la visualisation des valeurs minimum/maximum se produira si aucune touche n'est enfoncée pendant 15 secondes).

F P.30

pour la visualisation des valeurs minimum/maximum se produira si aucune touche n'est enfoncée pendant 15 secondes).

- Note:** Pour réinitialiser la température et l'humidité extérieures maximum et minimum, affichez tout d'abord les valeurs que vous voulez réinitialiser (minimum ou maximum). Appuyez et maintenez enfoncée la touche "SET" pendant au moins trois secondes. Vous verrez alors que les valeurs se réinitialiseront à la température et l'humidité actuelles et à l'heure correspondante.

## D. Capteurs de température multiples à distance

Le WS-8035U-IT peut recevoir les signaux de 2 capteurs thermo-hygro supplémentaires. Suivre les instructions suivantes pour monter les capteurs thermo-hygro avec le WS-8035U-IT. On peut se procurer ces capteurs supplémentaires chez le dépositaire de cet appareil.

- Retirer toutes les piles du récepteur et du/des capteur(s) et attendre 60 secondes. Durant ces 60 secondes, appuyer sur n'importe quelle commande 20 fois pour décharger toute énergie excessive.
- Installer les piles du premier capteur thermo-hygro.
- Dans les 2 minutes qui suivent la mise sous tension du premier capteur, installer les piles de la station météorologique. Une fois que les piles sont en place, tous les segments du LCD s'allument brièvement. Ensuite, la température intérieure et l'heure (12:00), s'affichent. Si elles ne s'affichent pas sur le LCD dans les 60 secondes qui suivent, retirer les piles et attendre au moins 60 secondes avant de les remettre en place.
- La température et l'humidité extérieures du premier capteur (canal 1) devraient s'afficher sur la station météorologique. Si elles ne s'affichent pas dans les 2 minutes qui suivent, retirer les piles de tous les appareils et recommencer à partir de l'étape 1.
- Installer les piles du deuxième capteur dès que les relevés de température et d'humidité extérieures du premier capteur s'affichent sur la station météorologique.

**NOTE:** Il est impératif d'installer les piles dans le deuxième capteur dans les 10 secondes qui suivent la réception du premier capteur.

- La température et l'humidité extérieures du deuxième capteur et l'icône "channel 2" devraient s'afficher sur le poste météo. Si elles ne s'affichent pas dans les 2 minutes qui suivent, retirer les piles de tous les appareils et recommencer à partir de l'étape 1.
- Installer les piles dans le troisième capteur dès que l'icône "channel 2" et les données extérieures s'affichent sur la station météorologique. Dans les 2 minutes qui suivent, les données extérieures du canal 3 du troisième capteur devraient s'afficher et le canal retourner à "1" après réception du troisième émetteur. Sinon, recommencer le montage à partir de l'étape 1.

**NOTE:** Il est impératif d'installer les piles dans le troisième capteur dans les 10 secondes qui suivent la réception du deuxième capteur.

**IMPORTANT:** Des problèmes de transmission se produiront si le réglage des capteurs multiples n'est pas effectué conformément aux instructions ci-dessus. En cas de problème de transmission, retirer les piles de tous les appareils et recommencer à partir de l'étape 1.

## Visualisation et fonctionnement avec capteurs multiples à distance

- Pour visualiser la température venant d'un différent capteur à distance, appuyez et relâchez une des deux touches "SNOOZE/CH". Un déplacement d'un numéro encadré sur l'autre devrait être observé sur L'ECRAN LCD EXTÉRIEUR (OUTDOOR LCD).
- Les températures minimum et maximum du capteur à distance supplémentaire peuvent être affichées en appuyant sur la touche "OUT/+".
- Pour réinitialiser les lectures de températures maximum et minimum, appuyez et maintenez enfoncée la touche "SET" pendant 3 secondes et cet enregistrement de température/humidité pour ce capteur à distance particulier sera le seul à être réinitialiser.

Chaque capteur à distance aura ses propres valeurs minimale et maximale mémorisées.

P.31 F

## E. Indicateur de confort pour la température et l'humidité intérieures

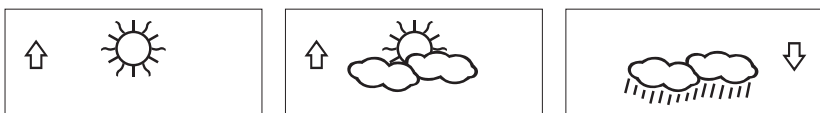
- L'indicateur de niveau de confort apparaît entre la température et l'humidité intérieures.
- L'indicateur affichera un "visage souriant" lorsque la température se situe entre 20°C et 25,9°C (68°F and 79°F), et l'humidité est entre 45% et 65%.
- Un "visage triste" sera affiché lorsque la température et l'humidité sont hors des plages données ci-dessus.

## F. Icônes de prévisions météorologiques et indicateurs de tendance de pression

La caractéristique de prévision météorologique est estimée avoir une précision de 75% et est uniquement basée sur le changement de la pression atmosphérique dans le temps. Le WS-8035U-IT fait la moyenne des lectures précédentes de la pression atmosphérique pour fournir une prévision précise - créant ainsi le besoin de rejeter toutes les prévisions météorologiques pour 12 - 24 heures après que l'unité ait été configurée, réinitialisée ou déplacée d'une altitude à une autre (c'est-à-dire d'un étage à un autre d'un bâtiment). Dans les régions où la météo n'est pas affectée par le changement de la pression atmosphérique, cette caractéristique est moins précise.

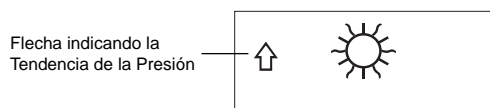
### 1. Icônes météorologiques

- Il y a 3 icônes météorologiques possibles qui seront affichées à divers moments au centre de la station météorologique intérieure.



- Ensoleillé (Sunny) - indique que le temps doit normalement s'améliorer (pas que le temps est ensoleillé).
  - Ensoleillé avec des nuages (Sunny with clouds) - indique que le temps doit normalement être beau (pas que le temps est ensoleillé avec des nuages).
  - Nuages avec de la pluie (Clouds with Rain) - indique que le temps doit normalement devenir plus mauvais (pas qu'il va pleuvoir).
- Les icônes météorologiques changent lorsque l'unité détecte un changement de la pression atmosphérique.
  - Les icônes changent dans l'ordre suivant : de "ensoleillé (sunny)" à "Ensoleillé avec des nuages (sun with clouds)" à "Nuages avec de la pluie (clouds with rain)" ou dans l'ordre inverse.
  - Elles ne peuvent pas passer de "ensoleillé (sunny)" directement à "Nuages avec de la pluie (clouds with rain)", bien que le changement puisse se produire rapidement.
  - Si les symboles ne changent pas, le temps ne change pas (ou le changement s'effectue lentement et graduellement).
  - La sensibilité du changement des icônes de prévision est réglée par l'utilisateur dans la section O du guide de configuration détaillée.

### G. Flèches de tendance météorologiques



- Il y a une flèche de tendance météorologique avec l'icône de prévision.
- Il y a une flèche pointant vers le haut (sur le côté gauche de l'écran LCD) et une flèche pointant vers le bas (sur le côté droit de l'écran LCD).
- Ces flèches reflètent les changements actuels de la pression atmosphérique.
- Une flèche pointant vers le haut indique que la pression atmosphérique augmente et que le temps devrait normalement s'améliorer ou rester bon.

F P.32

- Une flèche pointant vers le bas indique que la pression atmosphérique diminue et que le temps devrait normalement devenir plus mauvais ou rester mauvais.
- Aucune flèche signifie que la pression atmosphérique est stable.
- On devrait prévoir un orage s'il y a une chute supérieure ou égale de 4 hPa dans la pression atmosphérique en moins de 6 heures. L'icône 'Nuages avec de la pluie' (clouds with rain) sera affichée et la flèche de tendance qui pointe vers le bas clignotera - indiquant que la caractéristique d'avertissement d'orage a été activée. Le clignotement s'arrêtera lorsque la pression atmosphérique se stabilise ou commence à monter.

## H. Lectures de pression atmosphérique barométrique

- La pression atmosphérique barométrique réelle est affichée directement sous l'icône de prévision météorologique.
- La pression atmosphérique relative est étalonnée en utilisant le mode de programmation.
- Veuillez s'il vous plaît suivre les instructions de programmation de la section N du guide de configuration détaillée pour régler cette caractéristique.

## I. Graphe à barres d'historique de pression atmosphérique

- L'histogramme représente l'historique de la tendance de la pression atmosphérique pendant les dernières 24 heures en 7 étapes, 0h, -3h, -6h, -9h, -12h, -18h, et -24h.
- Le relevé "0h" représente la pression atmosphérique pour l'heure complète en cours.
- Les colonnes représentent les "hPa" (0, ±2, ±4, ±6) à l'heure spécifique.
- Le "0" au milieu de l'échelle est égal à la pression atmosphérique actuelle et chaque changement (±2, ±4, ±6) indique la hausse ou la baisse de la pression atmosphérique en "hPa" par rapport à la pression atmosphérique actuelle.
- Si les barres montent, cela indique une amélioration du temps car la pression atmosphérique augmente.
- Si les barres descendent cela indique une baisse de pression atmosphérique et une détérioration du temps à partir de ce moment "0h".

**Note:** Pour assurer des relevés de tendance de pression barométrique précis, la station météo doit fonctionner à altitude constante ; par exemple, elle ne doit pas être déplacée du rez-de-chaussée au deuxième étage d'une maison. En cas de délocalisation, ne prenez pas en compte les relevés pour les 12 à 24 heures à suivre.

Cette caractéristique ne peut pas être arrêtée.

## VII. MONTAGE

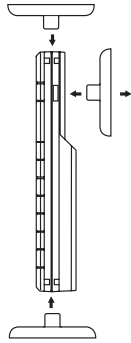
**Note:** Avant d'installer de façon permanente la station météorologique intérieure, assurez-vous qu'elle peut recevoir les signaux du transmetteur et le signal WWVB à l'emplacement de montage prévu. Pour permettre une vraie lecture de la température, évitez de monter le capteur thermo/hygro à distance (ou n'importe quel autre capteur) à un emplacement où il peut recevoir la lumière directe du soleil. Nous recommandons que vous montiez le capteur à distance sur un mur faisant face au Nord ou sous un abri. La portée d'émission du capteur thermo/hygro à distance est de 100 mètres (300 pieds) ; cependant, des obstacles comme des murs, du béton ou de larges objets métalliques réduiront la portée. Placez toutes les unités à leurs emplacements et attendez environ 15 minutes avant d'installer en permanence les unités afin de vous assurer que la réception est bonne. Si la station météorologique intérieure perd le signal d'un capteur à distance, elle affichera la dernière lecture de température pendant 15 minutes. Après 15 minutes sans réception de signal, la température à distance sera affichée "-.-".

P.33 F

## A. Montage de capteur thermo/hygro à distance

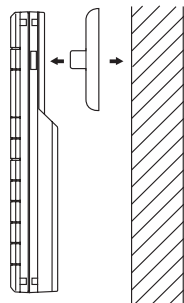
Le capteur thermo/hygro à distance devra être monté en utilisant les vis ou à l'aide d'un ruban adhésif.

### 1. Montage avec vis



- Retirez le support du capteur de température distant.
- Placez le support à l'endroit choisi.
- A l'aide d'un crayon, marquez l'emplacement des trous de vis à travers les trois trous de fixation du support.
- Vissez le support à la surface de fixation. Assurez-vous que les têtes de vis sont à ras le support.
- Enclenchez le capteur de température distant sur son support.

### 2. Montage avec ruban adhésif



- Afin d'assurer une bonne prise, nettoyez le dos du support et la surface de fixation à l'aide d'une solution non-abrasive, puis laissez sécher. La surface de fixation doit être plane et lisse.
- Retirez le film protecteur de l'une des faces de la bande.
- Collez la bande à l'emplacement prévue au dos du support.
- Retirez le film protecteur de l'autre face de la bande.
- Positionnez le capteur de température distant à l'emplacement choisi en vous assurant auparavant que la station météo intérieure peut recevoir le signal.

**Note:** la fixation à l'aide de la bande adhésive n'est pas recommandée comme une solution permanente. Utilisez seulement la bande adhésive durant le paramétrage de la station.

## B. Montage de la station météorologique intérieure WS-8035U-IT

La station météorologique intérieure peut être montée de deux façons différentes, autonome ou suspendue à un mur.

F P.34

- Déplacez-les des sources de chaleur / froid.
- Réglez la pression atmosphérique relative à une valeur venant d'une source fiable (TV, radio, etc.).
- La station météorologique intérieure et les capteurs à distance sont étalonnés en usine. Si c'est un problème constant, appelez s'il vous plaît La Crosse Technology.

**Problème:** "- " ou "99%" en affichage d'humidité.

**Solution:** 1. L'humidité est inférieure à 1% ou supérieure à 99%.

**Problème:** L'heure et la date WWVB ne sont pas réglées ou mises à jour.

**Solution:**

- Attendre la nuit pour la réception du signal.
- Éloignez la station météorologique intérieure de sources d'électricité.
- Placez la station météorologique intérieure sur une fenêtre faisant face au Colorado.
- La première réception est la plus difficile, car la station météorologique intérieure a besoin de 5 minutes consécutives pour avoir une réception de signal claire. Après le réglage initial de l'heure et de la date, la station météorologique intérieure a uniquement besoin d'une minute complète de réception de signal claire chaque nuit.

## SPÉCIFICATIONS

### Plage de mesure de température

|            |  |
|------------|--|
| Intérieure | -9,9°C à +59,9°C à une résolution de 0,1°C<br>(14,2°F à 139,8°F à une résolution de 0,2°F)<br>("OFL" affichée si la température est en dehors de cette plage)    |
| Extérieure | -39,9°C à +59,9°C à une résolution de 0,1°C<br>(-39,8°F à +139,8°F à une résolution de 0,2°F)<br>("OFL" affichée si la température est en dehors de cette plage) |

### Plage d'humidité relative

|                       |  |
|-----------------------|--|
| Intérieure/Extérieure | 1% à 99% à 1% près<br>(Affiche "- " si la température est en-dehors de ce rayon; affiche "- " si < 1% et "99%" si > 99%) |
|-----------------------|--|

### Pression atmosphérique

|                                      |  |
|--------------------------------------|--|
| hPa relative (réglable)              | 960 hPa à 1040 hPa   |
| inHg relative (réglable)             | 28,35 inHg à 30,72 inHg  |
| Réglage de la sensibilité hPa        | 2 hPa à 4 hPa  |
| Historique de pression atmosphérique | Pour les 24 dernières heures<br>(0, -3, -6, -9, -12, -18, et -24 heures) |

### Intervalle de vérification des données

|                        |                        |
|------------------------|------------------------|
| Température intérieure | Toutes les 15 secondes |
| Humidité intérieure    | Toutes les 20 secondes |
| Température extérieure | Toutes les 4 secondes  |
| Humidité extérieure    | Toutes les 4 secondes  |

### Actualisation de la lecture du transmetteur (dans le capteur)

|                           |                        |
|---------------------------|------------------------|
| Température extérieure    | Toutes les 4 secondes  |
| Humidité extérieure       | Toutes les 4 secondes  |
| Fréquence de transmission | 915 MHz                |
| Plage de transmission     | 100 mètres (300 pieds) |

### Alimentation électrique

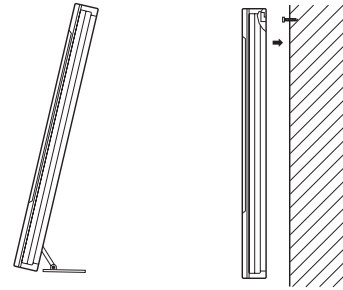
|                      |                               |
|----------------------|-------------------------------|
| Poste météo          | 3 piles AA, (IEC, LR6), 1,5 V |
| Capteur thermo/hygro | 2 piles AA (IEC, LR6) 1,5V    |

### Dimensions (H x l x P)

|                                   |  |
|-----------------------------------|--|
| Station météorologique intérieure | 254 x 197 x 25 mm (10 x 7,75 x 1 pouces)           |
| Capteur thermo/hygro à distance   | 128,3 x 38,2 x 21,2 mm (5,05 x 1,50 x 0,83 inches) |

F P.36

Pour monter la station météorologique intérieure en autonome, déployez simplement les pieds sur l'arrière et posez-la sur une surface stable plate.



Pour un montage mural de la station météorologique intérieure :

- Assurez-vous que les pieds intégrés sont correctement repliés.
- Fixez une vis (pas fournie) à la position voulue sur le mur, en laissant environ 5 mm (3/16 de pouce) dépasser du mur.
- Placez la station météorologique intérieure sur la vis en utilisant le trou pour suspendre sur le dos de la station.
- Tirez légèrement et avec précaution la station météorologique intérieure vers le bas pour bloquer la vis en position.

## Instructions de maintenance et entretien

- Des températures extrêmes, des vibrations et des chocs devront être évités afin de ne pas endommager les unités.
- Nettoyez les affichages et les unités avec un chiffon humide, doux. N'utilisez pas de solvant ou de produit de décapage, ils marqueraient les affichages et les boîtiers.
- Ne plongez pas l'unité dans l'eau.
- Enlevez immédiatement toute pile déchargée pour éviter des fuites et des dégâts.
- L'ouverture des boîtiers invalidera la garantie. N'essayez pas de réparer l'unité. Contactez La Crosse Technology pour les réparations.

## DÉPISTAGE DE FAUTES

**Problème:** L'écran LCD est flou.

**Solution:**

- Réglez le contraste de l'écran LCD à un niveau plus élevé.
- Remplacez les piles.

**Problème:** Aucune température / humidité extérieure affichée

**Solution:**

- Enlevez toutes les piles, remontez-les dans le capteur thermo/hygro à distance et ensuite dans la station météorologique intérieure.
- Montez le capteur thermo/hygro à distance plus près de la station météorologique intérieure.
- Assurez-vous que les piles sont bonnes.
- Aucune autre source d'interférence n'est utilisée (comme des écrans d'ordinateur des télévisions, des écouteurs ou des haut-parleurs) à proximité. Le signal se déplace en ligne droite, une alimentation électrique proche de cette ligne peut causer une interférence.

**Problème:** Température, humidité, ou pression atmosphérique sont incorrectes.

**Solution:**

- Vérifiez / Remplacez les piles.
- Si des capteurs multiples à distance sont utilisés, vérifiez leur emplacement avec les chiffres encadrés correspondants.

P.35 F

## INFORMATIONS SUR LA GARANTIE

La Crosse Technology, Ltd garantit ce produit de façon limitée pendant 1 an contre les défauts de fabrication et de matière.

Cette garantie limitée commence le jour du premier achat, n'est valable que pour les produits achetés et utilisés en Amérique du Nord et ne couvre que l'acheteur original de ce produit. Pour toute intervention sous garantie, l'acheteur doit contacter La Crosse Technology, Ltd pour l'identification du problème et les procédures de SAV. Les interventions sous garantie ne peuvent être effectuées que dans un centre de SAV agréé par La Crosse Technology, Ltd. Le ticket de caisse d'origine doit être présenté sur demande à La Crosse Technology, Ltd ou à son centre de SAV comme preuve d'achat.

La Crosse Technology, Ltd réparera ou remplacera, à notre discrétion, ce produit gratuitement comme spécifié par la présente avec ou par des pièces ou produits neufs ou remis à neuf si ce produit s'avère être défectueux pendant la période de la garantie limitée exposée ci-dessus. Toutes les pièces et produits remplacés deviennent la propriété de La Crosse Technology, Ltd et doivent être restitués à La Crosse Technology, Ltd. Les pièces et produits de rechange sont couverts par la garantie d'origine restante ou pendant quatre-vingt-dix (90) jours, soit la durée la plus longue. La Crosse Technology, Ltd prendra en charge tous les frais de main d'œuvre et de matériels pour toute réparation couverte par cette garantie. Si les réparations nécessaires ne sont pas couvertes par cette garantie ou s'il s'avère, lors de sa vérification, qu'un produit ne nécessite aucune réparation, la réparation ou vérification vous sera facturée. Le propriétaire doit prendre en charge tous frais d'expédition du produit La Crosse Technology, Ltd vers le centre de SAV agréé La Crosse Technology, Ltd. La Crosse Technology, Ltd prendra en charge les frais de retour au propriétaire d'une adresse des USA seulement.

Votre garantie La Crosse Technology, Ltd couvre tous les défauts de matières et de fabrication exceptés : (1) les dégâts causés par les accidents, une utilisation déraisonnable ou négligence (y compris un manque d'entretien raisonnable et nécessaire) ; (2) les dégâts survenant pendant le transport (toute réclamation doit être faite au transporteur) ; (3) dégâts à, ou détérioration de, tout accessoire ou toute surface décorative ; (4) dégâts dus à un manquement aux instructions contenues dans votre manuel de l'utilisateur ; (5) dégâts occasionnés suite à une réparation ou modification effectuée par un intervenant autre qu'un centre de SAV agréé La Crosse Technology, Ltd ; (6) appareil utilisés pour un usage autre que domestique (7) les applications et usages auxquels cet appareil n'est pas destiné ou (8) l'incapacité du produit à recevoir un signal à cause d'une source d'interférences quelconque. Cette garantie ne couvre que les défauts du produit lui-même et ne couvre pas les frais d'installation ou de désinstallation d'une installation fixe, le paramétrage normal ou les réglages, les litiges basés sur les malversations du vendeur ou les variations de performance résultant des circonstances relatives à l'installation.

LA CROSSE TECHNOLOGY N'ACCEPTÉ AUCUNE RESPONSABILITÉ POUR LES DOMMAGES FORTUITS, CONSÉCUTIFS, PUNITIFS OU AUTRES DOMMAGES SIMILAIRES RELATIFS À L'UTILISATION OU AU MAUVAIS FONCTIONNEMENT DE CE PRODUIT. CE PRODUIT NE DOIT PAS ÊTRE UTILISÉ À DES FINS MÉDICALES OU À TITRE D'INFORMATION DU PUBLIC. CE PRODUIT N'EST PAS UN JOUET. GARDER HORS DE LA PORTEE DES ENFANTS.

Cette garantie vous confère certains droits spécifiques. Vous possédez peut-être d'autres droits spécifiques à votre état. Certains états ne permettent pas l'exclusion des dommages fortuits ou consécutifs, donc l'exclusion de limitations énoncée ci-dessus peut ne pas vous concerner.

Pour toute intervention sous garantie, support technique ou information, veuillez contacter :

La Crosse Technology  
2809 Losey Blvd. S.  
La Crosse, WI 54601  
Phone: 608.782.1610  
Fax: 608.796.1020

P.37 F

courriel  
support@lacrossetechnology.com  
(travaux sous garantie)

sales@lacrossetechnology.com  
(informations sur d'autres produits)

web:  
www.lacrossetechnology.com

Questions? Instructions? Visitez:  
www.lacrossetechnology.com/8035it

Tous droits réservés. Ce manuel ne doit pas être reproduit sous n'importe quelle forme, même sous forme d'extrait, ou dupliqué ou traité en utilisant des procédures électronique, mécanique ou chimique sans l'accord par écrit de l'éditeur.

Ce manuel peut contenir des fautes d'impression et des erreurs. Les informations de ce manuel sont vérifiées régulièrement et des corrections sont apportées lors de l'édition suivante. Nous n'acceptons aucune responsabilité pour toute erreur technique ou erreur d'impression, ou leurs conséquences. Toutes les marques déposées et les brevets sont reconnus.

## CONTENIDOS

| Tema   | Página |
|--|--------|
| Inventario del Contenido /Equipo Adicional                                       | 40     |
| Sobre la señal de la hora WWVB   | 40     |
| Guía rápida para la puesta en funcionamiento                                     | 41     |
| <b>Guía Detalla para la puesta en funcionamiento</b>                             |        |
| Instalación de las pilas   | 41     |
| Primera puesta en Funcionamiento de la unidad                                    | 42     |
| Explicación de la Información de la pantalla LCD                                 | 44     |
| Distribución de las Teclas de Funcionamiento                                     | 44     |
| <b>Modo de Programación</b>  |        |
| Secuencia de Programación  | 45     |
| Nivel de Contraste de la pantalla LCD  | 45     |
| Ajuste de las Zonas Horarias   | 45     |
| Activación/Desactivación de la función DST                                       | 45     |
| Encendido/Apagado de la Hora Radio-controlada                                    | 45     |
| Ajuste del formato de la hora en las 12/24 horas                                 | 46     |
| Ajuste manual de la Hora/Fecha   | 46     |
| Unidad de Medición de la Temperatura (°F/°C)                                     | 47     |
| Unidad de Medición de la Presión Atmosférica (inHg/hPa)                          | 47     |
| Ajuste de la Presión Relativa  | 47     |
| Ajuste del nivel de Sensibilidad de las Previsiones                              | 47     |
| <b>Características y Operación</b>   |        |
| Ajuste de la Hora de la Alarma y Operación                                       | 48     |
| Fases de la Luna   | 48     |
| Registros de las Mínimas/Máximas Temperaturas/Humedad                            | 49     |
| Múltiples Sensores Remotos de la Temperatura/Humedad                             | 50     |
| Icono del Confort  | 50     |
| Previsiones del Tiempo e Indicadores de las Tendencias de la Presión Atmosférica | 50     |
| Icono del Tiempos  | 51     |
| Flechas indicadoras de las Tendencias del Tiempo                                 | 51     |
| Lectura Barométrica de la Presión Atmosférica                                    | 51     |
| Gráfico de Barras con el Histograma de la Presión Atmosférica                    | 51     |
| Fijación de las Unidades   | 52     |
| Mantenimiento y Cuidado  | 54     |
| Guía para la Solución d Problemas  | 54     |
| Especificaciones Técnicas  | 54     |
| Información de la Garantía   | 55     |

F

P.38

P.39

S

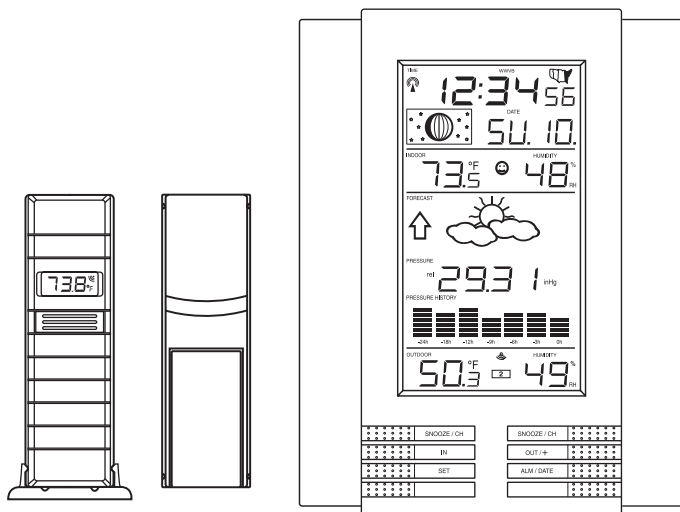
Este producto ofrece:



**TRANSMISION INSTANTANEA** es lo último en tecnología de transmisión inalámbrica, este producto es diseñado y desarrollado exclusivamente por la "LA CROSSE TECHNOLOGY". **TRANSMISION INSTANTANEA**, le ofrece una actualización inmediata (¡cada 4 segundos!) de todos los datos del tiempo en exteriores medidos por los transmisores: sigue las variaciones del clima!

### INVENTARIO DEL CONTENIDO DEL PAQUETE

1. La estación meteorológica WS-8035U-IT-
2. Un sensor remoto thermo/hygro TX29UD-TH-IT-(temperatura/humedad)
3. Manual de Instrucciones y Tarjeta de la Garantía



### EQUIPO ADICIONAL (no incluido)

1. Cinco pilas alcalinas nuevas del tipo AA 1.5V.
2. Un tornillo pequeño para el montaje (opcional)

### SOBRE LA SEÑAL WWVB (La hora radio-controlada)

El NIST (National Institute of Standards and Technology-Time and Frequency Division) WWVB esta ubicado en Ft. Collins, Colorado y transmite continuamente la señal de la hora y la fecha exactas a una frecuencia de 60 kHz en todo el territorio de los Estados Unidos. La señal puede ser recibida hasta una distancia o radio de 2,000 millas (3 200 Km.) con la ayuda de la antena incorporada en la Estación Meteorológica. Sin embargo, la recepción está muy limitada durante las horas diurnas debido a la naturaleza de la Ionosfera de la Tierra. La Estación Meteorológica buscará la señal durante las noches cuando se dan las mejores condiciones para recibir una buena recepción. La estación de radio WWVB deriva su señal de la estación del reloj Atómico NIST de Boulder, Colorado. Un equipo de físicos atómicos miden continuamente cada segundo de cada día hasta lograr una exactitud de diez billonésimos de segundo por día. Estos físicos han creado una norma o estándar internacional, midiendo un segundo como 9,192,631,770 vibraciones de un átomo de Césium-133 al vacío. Para obtener mayor información sobre la señal WWVB y el reloj atómico, por favor visite nuestro sitio en la red del NIST, en la siguiente dirección:

<http://www.boulder.nist.gov/timefreq/stations/wwvb.htm>

S

P.40

P.41

S

### GUIA RAPIDA PARA LA PUESTA EN FUNCIONAMIENTO

**Sugerencia:** Utilice pilas alcalinas de buena calidad y evite utilizar pilas recargables.

1. Coloque la estación meteorológica a una distancia de 3 a 5 pies (1m-1.50 m) del sensor a distancia.
2. Las pilas de ambas unidades deben ser retiradas durante un periodo de 10 minutos.
3. Inserte **primero** las pilas en el sensor **thermo-hygro sensor**, luego insértelas en la **estación meteorológica**.
4. NO PRESIONE NINGUN BOTON DURANTE 15 MINUTOS

En este momento la estación meteorológica y el sensor a distancia thermo-hygro empiezan a 'comunicarse' entre sí y la pantalla de la estación visualizará los datos de la temperatura en interiores y al aire libre. Si la estación no visualiza todos estos datos después de 15 minutos, por favor repita nuevamente los pasos para la puesta en funcionamiento descritos anteriormente. Después que los datos de ambas temperaturas sean visualizados durante 15 minutos, usted puede colocar sus sensores thermo-hygro afuera/al aire libre y ajustarles la hora.

El sensor thermo-hygro debe ser colocado en un lugar sombreado y seco (por ej. debajo del alero de una terraza. El sensor thermo-hygro tiene un alcance de cobertura de 330 pies (100 metros). Cualquier pared que tenga que atravesar la señal durante su trayectoria reducirá esta distancia. Una pared o ventana exterior pueden tener hasta 20 pies (6 metros) de resistencia sobre la trayectoria de la señal y una pared interior puede tener hasta 3 metros (10 pies) de resistencia. Su distancia de ubicación más las fuentes de interferencia no deberán de exceder los 330 pies (100 metros) en línea recta.

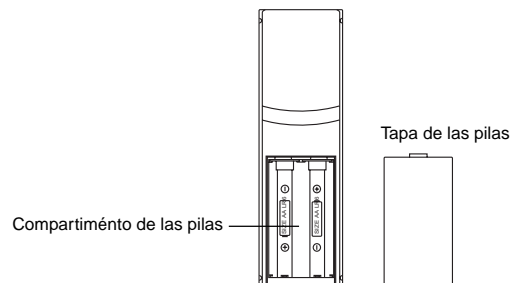
**NOTA:** La niebla y la bruma/lluvia no dañaran su sensor thermo-hygro, pero debe evitarse exponerlo a la lluvia directa

### GUIA DETALLADA PARA LA PUESTA EN FUNCIONAMIENTO

#### I. INSTALACION DE LAS PILAS (Cuando se utiliza un sensor Thermo-hygro solamente)

1. Primero, ponga las pilas en el sensor Thermo-hygro sensor (vea el numeral "A. Sensor Thermo-hygro" anotadas más adelante).
2. En un período de 2 minutos, después de haber puesto las pilas en el sensor, ponga las pilas en la estación meteorológica (vea el numeral "B. Estación Meteorológica Inalámbrica" anotadas más adelante). Una vez que las pilas estén instaladas, todos los segmentos de la pantalla LCD se encienden brevemente. Seguido de los datos de la temperatura interior y la fecha en las 12:00. Si estos datos no son mostrados en la pantalla LCD después de 60 segundos, retire las pilas, espere por lo menos 60 segundos antes de volver a reinsertarlas. Una vez que se visualicen los datos en interiores continúe con el siguiente paso.
3. Después de poner las pilas, la estación meteorológica empieza a recibir la señal de datos del sensor. Luego deben visualizarse los datos de la temperatura y humedad exterior en la estación. Si estos datos no son recibidos después de 2 minutos, es necesario retirar las pilas de ambas unidades y reinstalarlas desde el paso 1 y el símbolo de la señal de recepción deja de ser mostrado.

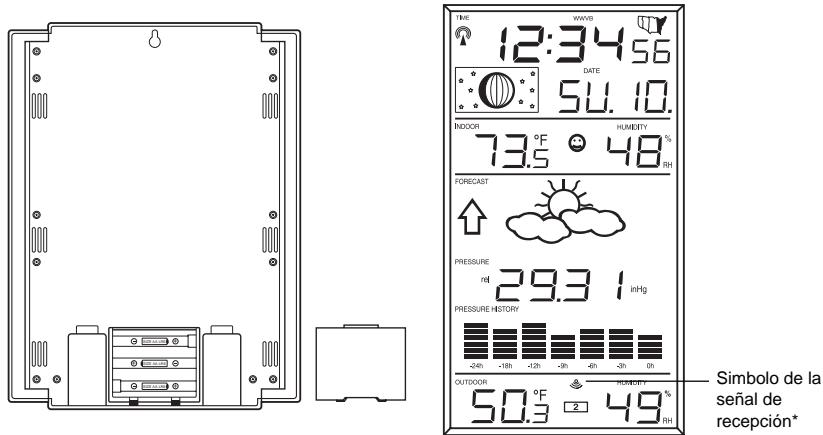
#### A. Sensor de la Temperatura y la Humedad



1. Retire la tapa de las pilas (ubicada en la parte trasera del transmisor, sobre la cuña de montaje y el travesaño).
2. Retire la tapa de las pilas.
3. Observando la polaridad correcta instale 2 pilas alcalinas del tipo AA.
4. Vuelva a colocar la tapa de las pilas

#### B. Estación Meteorológica en Interiores

1. Retire la tapa de las pilas (la tapa tiene un letrero blanco).
2. Observe la polaridad correcta e instale tres pilas alcalinas del tipo AA.
3. No presione ningún botón durante por lo menos 10 minutos. Si algún botón es presionado antes que la estación haya recibido la información del sensor TX29UD-TH-IT, no se recibirá ningún dato desde ese sensor hasta que no sea reajustado.
4. Vuelva a colocar la tapa de las pilas.



\* Cuando la señal de recepción es recibida correctamente por la estación, el símbolo de recepción se enciende. (Si no se recibe bien, el símbolo de recepción no aparece en la pantalla LCD. Lo cual le permite al usuario ver fácilmente si la última recepción fue buena (símbolo encendido) o mala (símbolo apagado). Por otra parte, cuando el símbolo titila brevemente significa que en ese momento se está realizando una recepción.

- Si la señal de recepción no se puede recibir bajo la primera frecuencia de (915MHz) durante 45 segundos, la señal de frecuencia cambia a 920MHz y vuelve a intentar la recepción durante otros 45 segundos. Si aún así no es posible, se intentará nuevamente la recepción durante otros 45 segundos bajo la frecuencia de 910MHz. Este proceso también se hace al resincronizar la unidad.

### II. Secuencia de Programación

#### A. Primera Puesta en funcionamiento

1. Inmediatamente después de que se instalen las pilas, la estación emitirá un breve sonido "bip" y toda la pantalla LCD se encenderá brevemente.
2. Toda la información aparecerá en el modo de visualización normal de la pantalla, con la hora programada en las "12:00" y la fecha programada en "SA.1" (en el año 2006).
3. Los datos de la temperatura y humedad interior y la presión barométrica también serán visualizados (como 29.92 inHg).
4. En la parte inferior de la pantalla aparecerá un icono de un "satélite" ubicado entre las lecturas de

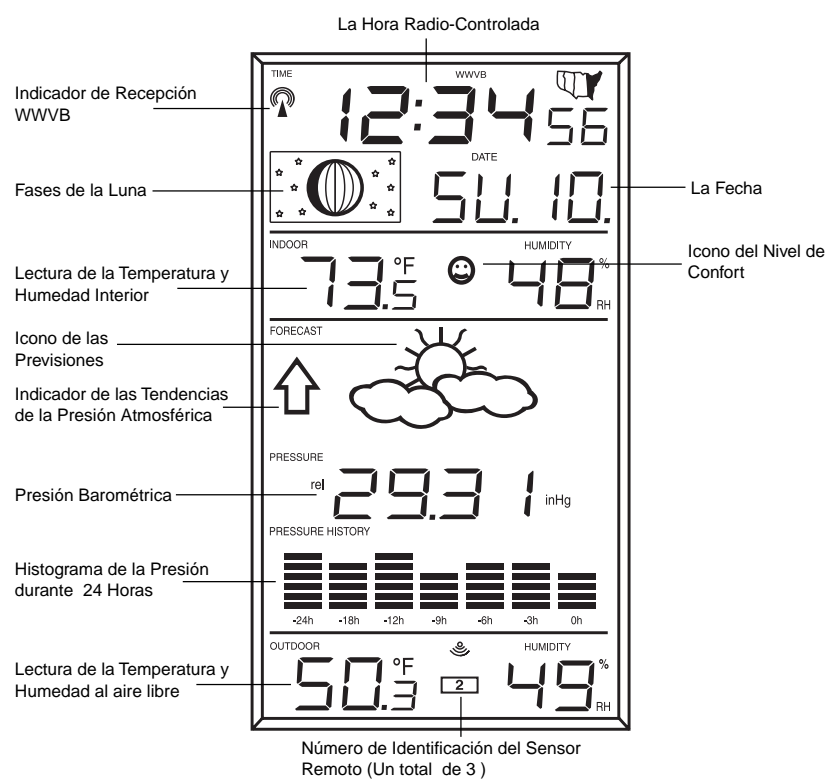
la temperatura y humedad exterior- Este icono le informa al usuario que la estación meteorológica esta intentando recibir las señales del sensor thermo/hygro. Dentro de cinco minutos deberán visualizarse la lectura de la temperatura y humedad-si esto no sucede, retire las pilas de todas las unidades y repita la instalación de las pilas, primero en el sensor remoto de la temperatura y luego en la Estación.

#### B. Recepción de la Señal WWVB

1. Una vez que sean insertadas las pilas en la Estación Meteorológica, esta buscará automáticamente la señal. Si recibe una buena señal (lo cual, normalmente no es posible durante las horas del día en la mayoría de lugares), El indicador de recepción de la señal WWVB (que parece como un icono de una torre) titilará en la pantalla. La Estación Meteorológica en interiores necesita 5 minutos completos para obtener una buena señal de recepción y ajustar correctamente los datos de la hora, minutos, segundos, mes, día y año. Si la señal de recepción no se recibe dentro de 10 minutos, la búsqueda de la señal se interrumpirá. Próxima recepción sucederá al día siguiente.
2. La señal es enviada solamente desde Ft. Collins, Colorado y es similar a una señal de radio AM. Las interferencias atmosféricas como tormentas y manchas solares y hasta la misma luz solar pueden interferir y evitar que la señal tenga el mismo alcance.
3. Para maximizar la recepción, coloque la estación en una ventana que este en dirección hacia Colorado y al menos a 6 pies (2m) de distancia de cualquier aparato eléctrico que ocasione interferencia (computadores, televisores, neveras, etc.). No mueva la Estación cuando este buscando la señal.
4. La hora y la fecha también pueden ser puestas manualmente. Una vez que se reciba la señal de radio esta borrará la hora y fecha puestas manualmente y ajustará la hora con respecto a la zona horaria seleccionada.
5. Una vez que la hora y fecha sean ajustadas correctamente, la Estación hará un rastreo de la señal todas las noches entre a media noche y 6h de la mañana, en caso necesario corregirá exactamente la hora y la fecha (El cambio a la Hora de Verano se hará automáticamente). Después que una recepción exitosa, no más tentativa de recepción se haría hasta que el día siguiente.

### III. Explicación de la Información de la Pantalla LCD

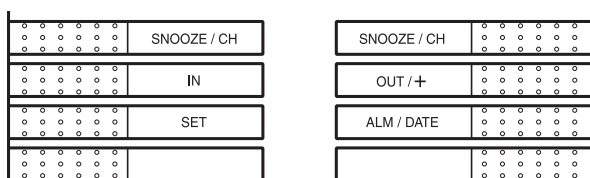
- A. La foto de la pantalla que encontrará a continuación le indicará las funciones de la pantalla LCD.



- B. La Estación puede ser ajustada de muchas diferentes maneras. La pantalla esta mostrada en el modo de visualización normal y los datos de las lecturas actuales serán diferentes en su caso basados en las configuraciones hechas y sus condiciones locales.

#### IV. Distribución de las Teclas de Funcionamiento

- A. La figura que encuentra a continuación muestra seis diferentes teclas de funcionamiento utilizadas para la programación y funcionamiento de su Estación Meteorológica.



#### V. Modo de Programación

El sistema de programación esta diseñado de manera que le permite programar cada función por separado, o usted también puede seguir todas las instrucciones completas para programar su Estación Meteorológica. La programación completa se hace normalmente para la primera puesta en funcionamiento de la unidad y usted deberá "saltarse" los pasos 1, 2 y 3 de cada sección de programación. Se puede salir del modo de programación en cualquier momento ya sea presionando la tecla "Snooze/CH" o esperando 15 segundos para que la pantalla salga automáticamente.

#### A. Secuencia de Programación

|                                 |   |               |
|---------------------------------|---|---------------|
| 1. Contraste de la Pantalla LCD | 2. Zona Horaria   | 3. DST ON/OFF |
| 4. Hora Radio-controlada ON/OFF | 5. Formato de la Hora en 12/24 horas                          | 6. Hora       |
| 7. Minutos                      | 8. Año  | 9. Mes        |
| 10.Fecha                        | 11. °F/°C   | 12.inHg/hPa   |
| 13.Presión Relativa             | 14.Nivel de Sensibilidad para las lecturas de las Previsiones |               |

#### B. Contraste de la Pantalla LCD

1. Presione la tecla "SET" durante cinco segundos.
2. El icono "lcd" aparecerá en la parte alta de la pantalla y un número relampagueará a su lado.
3. Presione y suelte la tecla "OUT/+" para seleccionar el nivel de contraste deseado de la pantalla LCD.
4. Presione y suelte la tecla "SET" para confirmar el contraste de la pantalla LCD y continuar con la programación de la Zona Horaria.

#### C. Ajuste de la Zona Horaria

1. Presione la tecla "SET" durante cinco segundos.
2. "El icono "lcd" aparecerá en la parte alta de la pantalla y un número relampagueará a su lado.
3. Presione la tecla "SET" una vez más para pasar a la programación de la Zona Horaria.
4. Aparecerá un número titilando al lado izquierdo de la letra "h" en la parte alta de la pantalla justamente por debajo de la Hora.
5. Presione la tecla "+" para seleccionar la zona horaria.
6. Presione la tecla "SET" para confirmar el ajuste de la Zona Horaria y continuar con el ajuste de la Hora de Verano 'DST' ON/OFF.

#### D. Para Apagar/Encender la función de la Hora de Verano 'DST' ON/OFF

1. Presione la tecla "SET" durante cinco segundos.
2. El icono "lcd" aparecerá en la parte alta de la pantalla y un número relampagueará a su lado.
3. Presione la tecla "SET" dos veces más para pasar al modo de ajuste de la hora de verano DST ON/OFF (Encendido/Apagado).
4. El icono "DST" aparecerá a la derecha de la lectura de la Fase de la Luna y la palabra "ON" o "OFF" titilará sobre 'DST'.
5. Presione la tecla "OUT/+" para seleccionar DST ON/OFF.

**Nota:** Algunos lugares (como Arizona y otras partes de Indiana) no tienen el cambio de Hora de Verano.

6. Presione la tecla "SET" para confirmar el ajuste del 'DST' ON/OFF (Encendido/Apagado) y continuar con la programación de la Hora Radio-controlada en ON/OFF.

#### E. Para Apagar/Encender la función de la Hora Radio-controlada 'ON/OFF'

1. Presione la tecla "SET" durante cinco segundos.
2. El icono "lcd" aparecerá en la parte alta de la pantalla y un número relampagueará a su lado.
3. Presione la tecla "SET" tres veces más para pasar al modo de ajuste de la Hora Radio-controlada en 'ON/OFF' (Encendido/Apagado).

- El icono "RCC" aparecerá a la derecha de la Fase de la Luna y la palabra "ON" o "OFF" titilará sobre dicho icono.
- Presione la tecla "+" para seleccionar la función de la Hora Radio-controlada en 'ON/OFF' (Encendida/ Apagada).
- Presione la tecla "SET" para confirmar el ajuste de la Hora Radio-controlada en 'ON/OFF' y continuar con la programación del formato de visualización de la Hora en las 12/24 horas.

#### F. Formato de Visualización de la Hora 12/24-Horas

- Presione la tecla "SET" durante cinco segundos.
- El icono "lcd" aparecerá en la parte alta de la pantalla y un número relampagueará a su lado.
- Presione la tecla "SET" cuatro veces más para pasar al modo de ajuste del Formato de la Hora en las 12/24 Horas.
- El icono "12h" o "24h" aparecerá titilando a la derecha de la Fase de la Luna.
- Presione la tecla "OUT/+" para seleccionar el formato de las 12 o 24-horas.

**Nota:** En el formato de las 12h, durante las horas de la tarde y noche aparecerá el símbolo "PM" a la izquierda de la hora. Durante la mañana o madrugada no se visualizará ningún símbolo. Asegúrese de ajustar la hora correctamente en AM/PM para obtener una recepción automática correcta.

- Presione la tecla "SET" para confirmar el ajuste del formato de la hora en 12/24-horas y continuar con el Ajuste manual de la Hora.

#### G. Ajuste Manual de la Hora

La señal de la Hora WWVB borrará cualquier ajuste manual de la hora y la fecha hecho anteriormente. La hora se basará en la zona horaria seleccionada.

- Presione la tecla "SET" durante cinco segundos.
- El icono "lcd" aparecerá en la parte alta de la pantalla y un número relampagueará a su lado.
- Presione la tecla "SET" cinco veces más para pasar al modo de ajuste manual de la Hora.
- La hora empezará a titilar en la parte alta de la pantalla.
- Presione la tecla "OUT/+" para seleccionar la hora deseada.
- Presione la tecla "SET" para confirmar el ajuste de la hora y pasar al ajuste de los Minutos.

#### H. Ajuste Manual de los Minutos

- Presione la tecla SET" durante cinco segundos.
- El icono "lcd" aparecerá en la parte alta de la pantalla y un número relampagueará a su lado.
- Presione la tecla SET" seis veces más para pasar al modo de ajuste manual de los minutos.
- Los minutos empezarán a titilar en la parte alta de la pantalla.
- Presione la tecla "OUT/+" para seleccionar los minutos deseados.
- Presione la tecla "SET" para confirmar el ajuste de los minutos y pasar al ajuste del Año.

#### I. Ajuste Manual del Año

- Presione la tecla SET" durante cinco segundos.
- El icono "lcd" aparecerá en la parte alta de la pantalla y un número relampagueará a su lado.
- Presione la tecla "SET" siete veces más para pasar al modo de ajuste manual del año.
- El año empezará a titilar a la derecha de la Fase de la Luna.
- Presione y suelte la tecla "OUT/+" para seleccionar el año deseado.
- Presione la tecla SET" para confirmar el ajuste del año y pasar al modo de ajuste del Mes.

#### J. Ajuste Manual del Mes

- Presione la tecla SET" durante cinco segundos.
- El icono "lcd" aparecerá en la parte alta de la pantalla con un número relampagueando a su lado.
- Presione la tecla "SET" ocho veces más para pasar al modo de ajuste manual del Mes.
- El mes empezará a titilar a la derecha de la Fase de la Luna.
- Presione la tecla "OUT/+" para seleccionar el mes deseado.

S P.46

- Presione la tecla "SET" para confirmar el ajuste del nivel de sensibilidad de las previsiones del tiempo.

#### EL AJUSTE MANUAL AHORA ESTA TERMINADO

#### CARACTERISTICAS Y OPERACIONES

##### A. Ajuste y Operación de la Hora de la Alarma

- Para ajustar la hora de la alarma:**
  - Pulse la tecla ALM/DATE durante 5 segundos.
  - La hora de la alarma empezará a relampaguear a la derecha de las fases de la luna.
  - Pulse el botón IN para ajustar la hora.

**Nota:** Cuando se utilice el formato de las 12-horas y este ajustando la alarma en una hora comprendida entre el media día y la media noche aparecerá visualizado el símbolo "PM" a la izquierda de la hora de la alarma.

- Pulse la tecla OUT/+ para ajustar los minutos.
- Pulse la tecla SNOOZE/CH para confirmar el ajuste o espere 20 segundos y la pantalla se devolverá automáticamente al modo de visualización normal.

##### 2. Para activar la alarma:

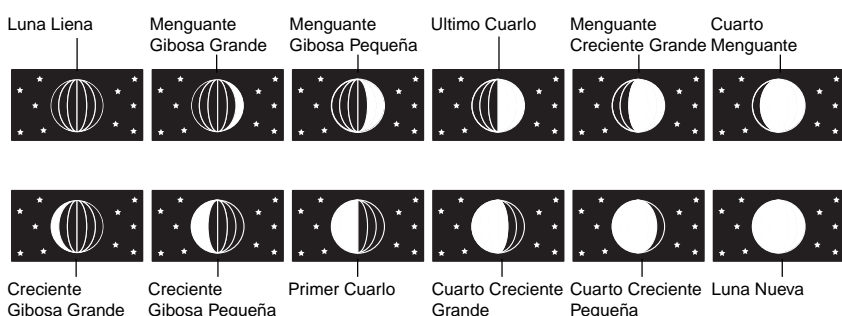
- Pulse la tecla ALM/DATE para alternar entre la hora de la alarma, el día y la fecha.
- Cuando se visualice la hora y el icono de la alarma a la derecha de la fase de la luna la alarma esta activada.
- Cuando se visualice el día y la fecha en la sección de visualización de la FECHA LCD la alarma esta desactivada.

##### 3. Para activar el 'snooze' o interrupción temporal de la alarma:

- Cuando la alarma este timbrando pulse el botón SNOOZE/CH.
- La función del 'snooze' se activará durante 10 minutos. La alarma volverá a timbrar después de 10 minutos.
- Para desactivar la función del 'snooze' pulse cualquier tecla excepto la tecla SNOOZE/CH.

##### B. Fases de la Luna

- Se pueden visualizar 12 fases de la luna en la Estación Meteorológica; la porción negra simboliza la porción de luna visible en el cielo. Entonces, cuando el icono de la luna es totalmente negro es luna llena. La Estación Meteorológica esta programada con todas las fases lunares desde el año 2003 hasta el 2029.



S P.48

- Presione la tecla "SET" para confirmar el Mes y continuar con el ajuste de la Fecha.

#### K. Ajuste Manual de la Fecha

- Presione la tecla SET" durante cinco segundos.
- El icono "lcd" aparecerá en la parte alta de la pantalla y un número relampagueará a su lado.
- Presione la tecla "SET" nueve veces más para pasar al modo de ajuste manual de la fecha.
- La fecha empezará a titilar a la derecha de la Fase de la Luna.
- Presione la tecla "OUT/+" para seleccionar la fecha deseada.
- Presione la tecla "SET" para confirmar la fecha y continuar con el ajuste de la unidad de medición de la Temperatura.

#### L. Selección de la Unidad de Medición de la Temperatura (°F o °C)

- Presione la tecla SET" durante cinco segundos.
- El icono "lcd" aparecerá en la parte alta de la pantalla y un número relampagueará a su lado.
- Presione la tecla "SET" diez veces más para pasar al modo de ajuste o selección de la unidad de medición de la temperatura.
- El icono °F o °C titilará en la parte alta de la pantalla.
- Presione la tecla "OUT/+" para seleccionar la unidad de medición de la temperatura.
- Presione la tecla "SET" para confirmar la unidad de medición de la temperatura y continuar con el ajuste de la Unidad de Medición de la Presión Atmosférica.

#### M. Selección de la Unidad de Medición de la Presión Atmosférica (inHg/hPa)

- Presione la tecla SET" durante cinco segundos.
- El icono "lcd" aparecerá en la parte alta de la pantalla y un número relampagueará a su lado.
- Presione la tecla "SET" once veces más para pasar al modo de ajuste y/o selección de la unidad de medición de la presión Atmosférica.
- El símbolo 'inHg' o 'hPa' titilará en la parte alta de la pantalla.
- Presione la tecla "OUT/+" para seleccionar la unidad de medición de la Presión Atmosférica.
- Presione la tecla "SET" para confirmar la unidad de medición de la Presión Atmosférica y continuar con el ajuste de la Presión Atmosférica Relativa.

#### N. Ajuste de la Presión Atmosférica Relativa

- Presione la tecla SET" durante cinco segundos.
- El icono "lcd" aparecerá en la parte alta de la pantalla y un número relampagueará a su lado.
- Presione la tecla "SET" doce veces más para pasar al modo de ajuste de la Presión Atmosférica Relativa.
- La presión barométrica titilará en el centro de la pantalla, por debajo del icono de las previsiones.
- Presione la tecla "OUT/+" para seleccionar la unidad de medición de la Presión Atmosférica Relativa.
- Presione la tecla "SET" para confirmar la unidad de medición de la Presión Atmosférica Relativa y continuar con el ajuste del nivel de Sensibilidad de las Previsiones del Tiempo.

#### O. Ajuste del Nivel de Sensibilidad de las Previsiones del Tiempo

- Presione la tecla SET" durante cinco segundos.
- El icono "lcd" aparecerá en la parte alta de la pantalla y un número relampagueará a su lado.
- Presione la tecla "SET" trece veces más para pasar al modo de ajuste del nivel de sensibilidad de las Previsiones del Tiempo.
- Las dos flechas que indican la tendencia de la presión atmosférica empezarán a titilar a cada lado del icono de las previsiones del tiempo y aparecerá un número por debajo del icono de las previsiones.
- Presione la tecla "OUT/+" para seleccionar el nivel deseado de la sensibilidad de las previsiones.

**Nota:** La Presión Atmosférica Barométrica normalmente es reportada como "Presión Atmosférica Relativa". Este registro esta basado en la combinación de datos de la presión atmosférica absoluta y la altitud. En general, un incremento de altitud resultará en una disminución de la Presión Atmosférica. La Presión Atmosférica Relativa hará lecturas en lugares cercanos relativos el uno con el otro para obtener pronósticos adecuados. La lectura de la Presión Atmosférica absoluta en la Estación del Tiempo no puede ser cambiada solamente la presión atmosférica relativa.

P.47 S

#### C. Mínimos y Máximos Registros de la Temperatura y Humedad

##### 1. Mínimos y Máximos Registros de la Temperatura y Humedad en Interiores

La estación meteorológica en interiores almacena automáticamente los mínimos y máximos registros de la temperatura y humedad registradas en interiores. Los mínimos y máximos datos son actualizados automáticamente cuando se registre un nuevo dato más alto o más bajo que los datos anteriores o hasta que estos sean reajustados manualmente.

- Desde la forma de visualización normal de la pantalla, presione la tecla "IN" una vez para visualizar los datos de la máxima temperatura y humedad en interiores (se visualizará el icono "MAX" sobre la lectura de la temperatura y humedad en interiores).
- Presione la tecla "IN" nuevamente para visualizar los datos de la mínima temperatura y humedad en interiores.
- Presione la tecla "IN" nuevamente para devolverse al modo de visualización normal de la pantalla (si ninguna tecla es pulsada durante 15 segundos cuando se estén visualizando los mínimos/máximos registros la pantalla se saldrá automáticamente).

**Nota:** Para reajustar los datos de la mínima y máxima temperatura y humedad en interiores, primero visualice los datos que usted quiera reajustar (mínimos o máximos). Luego pulse la tecla "SET" durante al menos 3 segundos. Usted observará que los datos se reajustarán con respecto a la temperatura y humedad actual y de acuerdo con la hora correspondiente.

##### 2. Mínimos y Máximos Registros de la Temperatura y Humedad al Aire Libre

La estación meteorológica en interiores almacena automáticamente los mínimos y máximos registros de la temperatura y humedad registradas al aire libre. Los mínimos y máximos datos son actualizados automáticamente cuando se registre un nuevo dato más alto o más bajo que los datos anteriores o hasta que estos datos sean reajustados manualmente.

- Desde la forma de visualización normal de la pantalla, presione la tecla "OUT/+" una vez para visualizar los datos de la máxima temperatura y humedad al aire libre (se visualizará el icono "MAX" sobre la lectura de la temperatura y humedad en exteriores).
- Presione la tecla "OUT/+" nuevamente para visualizar los mínimos registros la temperatura y humedad en exteriores.
- Presione la tecla "OUT/+" nuevamente para devolverse al modo de visualización normal de la pantalla (si ninguna tecla es pulsada durante 15 segundos cuando se estén visualizando los mínimos/máximos registros la pantalla se saldrá automáticamente).
- Nota:** Para reajustar los datos de la mínima y máxima temperatura y humedad en exteriores, primero visualice los datos que usted quiera reajustar (mínimos o máximos). Luego pulse la tecla "SET" durante al menos 3 segundos. Usted observará que los datos se reajustarán con respecto a la temperatura y humedad actual y de acuerdo con la hora correspondiente.

##### D. Múltiples Sensores Remotos

La estación WS-8035U-IT puede recibir la señal de otros dos sensores adicionales termo-hgro. A continuación le indicamos las instrucciones para instalar los sensores termo-hgro con la estación WS-8035U-IT. Estos sensores adicionales pueden ser comprados en el mismo distribuidor donde compró esta unidad.

- Retire las pilas del receptor/estación y el sensor(es) y espere 60 segundos. Durante estos 60 segundos, pulse cualquier botón 20 veces para descargar cualquier sobrecarga o cúmulo de energía.
- Ponga dos pilas en el sensor Termo-hgro.
- En un período de 2 minutos, después de haber puesto las pilas en el primer sensor, ponga las pilas en la Estación de Temperatura. Una vez que las pilas estén instaladas en su lugar, todos los segmentos de la pantalla LCD se encienden brevemente. Seguido de los datos de la temperatura interior y la fecha en las 12:00. Si estos datos no son mostrados en la pantalla LCD después de 60 segundos, retire las pilas espere por lo menos 60 segundos antes de volver a reinsertarlas

P.49 S

- Luego deben visualizarse en la estación los datos de la temperatura y humedad exterior del primer sensor (canal 1). Si estos datos no son recibidos después de 2 minutos y no se ve el símbolo de la señal de recepción, es necesario retirar las pilas de ambas unidades y reinstalarlas desde el paso 1.
- Ponga las pilas en el segundo sensor tan pronto como se reciban en la estación los datos de la temperatura y humedad exterior del primer sensor.

**NOTA:** Debe instalar las pilas del segundo sensor en 10 segundos a partir de la recepción del primer sensor

- Luego deben visualizarse en la estación los datos de la temperatura y humedad exterior del segundo sensor instalado (canal 2). Si estos datos no son recibidos después de 2 minutos y no se ve el símbolo de la señal de recepción, es necesario retirar las pilas de ambas unidades y reinstalarlas desde el paso 1.
- Ponga las pilas en el tercer sensor tan pronto como se vean en la estación, el símbolo "canal 2" y los datos de la temperatura y humedad exterior. Luego en 2 minutos se visualizan en la pantalla los datos en exteriores del tercer canal y el símbolo del canal se devuelve a "1" cuando los datos de este tercer transmisor son recibidos correctamente. Si lo anterior no sucede, el usuario debe reiniciar el proceso de instalación desde el paso 1.

**NOTA:** Debe instalar las pilas del tercer sensor en 10 segundos a partir de la recepción del segundo sensor

**IMPORTANTE:** Se pueden presentar problemas de transmisión si la instalación de múltiples sensores no se hace como se indicó anteriormente. Si se presentan problemas de transmisión, es necesario retirar las pilas de todas las unidades y empezar nuevamente desde el paso 1.

#### Visualización y Operación de Múltiples Sensores Remotos

- Para visualizar la temperatura de un sensor remoto diferente, pulse algunos de los botones "SNOOZE/CH". Se deberá observar un cambio en el número de la "cajita" este deberá cambiar al siguiente número correspondiente, en la pantalla OUTDOOR LCD.
- Para visualizar los mínimos/máximos registros de la temperatura provenientes del sensor remoto adicional pulse la tecla "OUT/+".
- Para reajustar los mínimos/máximos registros de la temperatura, pulse la tecla "SET" durante 3 segundos y solamente será reajustado el registro de la temperatura/humedad de ese sensor remoto en particular.

Cada sensor almacenará sus propios mínimos y máximos registros.

#### E. Indicador de Confort para la Temperatura y Humedad en Interiores

- El indicador del nivel de confort aparece entre las lecturas de la temperatura y humedad en interiores.
- El indicador visualizará un icono con una "cara feliz" cuando la temperatura este entre 68°F y 79°F (20°C y 25.9°C) y la humedad este entre humedad 45% y 65%.
- El icono de una "cara triste" será visualizado cuando la temperatura y la humedad esten por fuera de los rangos antes mencionados.

#### F. Icono de las Previsiones del Tiempo e Indicadores de las Tendencias de la Presión

Se estima que la función de las previsiones del tiempo tenga una exactitud del 75% y únicamente esta basada en los cambios de la presión atmosférica sobre un periodo de tiempo. La estación meteorológica WS-8035U-IT promedia los registros anteriores de la presión atmosférica para suministrarle un pronóstico exacto, es importante desechar todos los pronósticos/previsiones del tiempo durante las 12 a 24 horas siguientes después de la instalación inicial o reajuste de la unidad o cuando esta sea cambiada de altitud (Ej. Por ejemplo de la primera planta de una casa a pisos más altos). En regiones donde los cambios de la presión atmosférica no ejercen mucha influencia sobre el estado del tiempo esta función será menos precisa

S P.50

- Si las barras suben, significa que el tiempo está mejorando debido a que la presión atmosférica ha aumentado.
- Si las barras bajan, significa que la presión atmosférica ha disminuido y que se espera que el tiempo empeore respecto de las condiciones actuales (0h).

**Nota:** Para obtener tendencias de presión barométrica precisas, la estación meteorológica debe funcionar siempre a la misma altitud. Por ejemplo, no debe ser trasladada desde la planta baja al primer piso de la casa. Si cambia el aparato de lugar, haga caso omiso de los pronósticos meteorológicos durante las primeras 12 a 24 horas. Esta función no puede ser apagada.

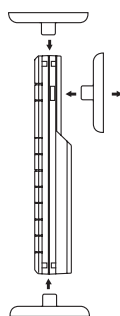
#### VII. FIJACIÓN DE LA UNIDAD

**Nota:** Antes de fijar permanentemente la unidad, asegúrese que la Estación Meteorológica en Interiores pueda recibir la señal de los transmisores y la señal de la hora WWVB de desde la ubicación deseada. Para lograr una lectura precisa de la temperatura, evite instalar el sensor remoto thermo/hygro (o cualquier sensor) donde puedan quedar expuestos directamente a los rayos del sol. Le recomendamos fijar el transmisor remoto en una pared que este dirigida hacia el Norte o bajo un alero cubierto. El rango o alcance de transmisión es de 330 pies (100 metros), sin embargo, obstáculos tales como paredes, estructuras de concreto y objetos metálicos grandes pueden reducir sustancialmente el alcance de transmisión. Coloque todas las unidades en la ubicación deseada y espere aproximadamente 15 minutos antes de fijar permanentemente las unidades en su lugar para asegurarse que haya una recepción apropiada. Si la Estación Meteorológica en Interiores pierde la señal de transmisión del sensor remoto, esta visualizará la lectura de la última temperatura durante 15 minutos. Después de 15 minutos de no recibir ninguna señal, la sección de la temperatura exterior mostrará este símbolo "- -".

#### A. Fijando el Sensor Remoto Thermo/hygro

El sensor remoto thermo/hygro puede ser fijado utilizando los tornillos o usando cinta adhesiva.

#### A. Fijando con los Tornillos

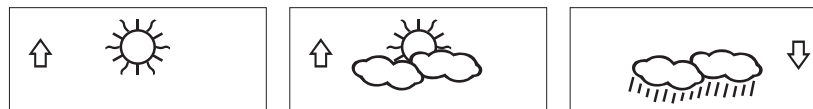


- Retire el soporte de montaje del sensor.
- Coloque el soporte de montaje sobre la superficie deseada.
- Con un lápiz marque el lugar de fijación a través de los 2 orificios del soporte.
- Atornille el soporte de montaje en la superficie de montura. Asegúrese que los tornillos queden bien fijados dentro del soporte.
- Asegure el puesto de fijación (en la parte trasera del transmisor) dentro del receptor del soporte de montaje.

S P.52

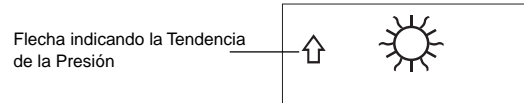
#### 1. Iconos del Tiempo

- Hay la posibilidad de ver 3 iconos del tiempo los cuales serán visualizados en el centro de la estación del tiempo en diferentes momentos.



- Soleado- indica que se espera una mejora en el tiempo (no necesariamente que sea soleado).
  - Sol con Nubes- indica que se espera buen tiempo (no que sea soleado con nubosidad).
  - Nubes con Lluvia- indica se espera un deterioro en el tiempo (no que sea lluvioso).
- Los iconos del tiempo cambian cuando la unidad detecta un cambio en la presión atmosférica.
  - Los iconos cambian en orden de: "soleado" a "nublado" a "lluvioso" o viceversa.
  - No habrá un cambio directo de "soleado" a "lluvioso", aunque es posible que el cambio ocurra rápidamente.
  - Si los iconos no cambian es porque el tiempo no ha cambiado o el cambio ha sido lento y gradual.
  - El nivel de sensibilidad de las previsiones del tiempo es ajustado por el usuario en la sección O de la Guía detallada para la puesta en funcionamiento.

#### G. flechas de las Tendencias del Tiempo



- Junto con los iconos de las previsiones del tiempo también hay una flecha que indica las tendencias de la presión atmosférica.
- Hay una que apunta hacia arriba (al lado izquierdo de la pantalla LCD) y una que apunta hacia abajo (al lado derecho de de la pantalla LCD).
- Estas flechas reflejan los cambios actuales en la presión atmosférica.
- Una flecha apuntando hacia arriba indica que la presión atmosférica está aumentando y se espera que el tiempo mejore o que permanezca el buen tiempo.
- Una flecha apuntando hacia abajo indica que la presión atmosférica está disminuyendo y se espera que el tiempo se deteriore o que permanezca el mal tiempo.
- Si no hay ninguna flecha significa que la presión es estable.
- Habrà posibilidad de tormenta si hay una caída en la presión de 4 hPa o más en menos de 6 horas. Será visualido el icono de las nubes con lluvia y la flecha que apunta hacia abajo relampagueará indicando que la función para anunciar la posibilidad de tormenta ha sido activada. La flecha dejará de relampaguear cuando se establece la presión o cuando esta empiece a aumentar.

#### H. Lectura Barométrica de la presión Atmosférica

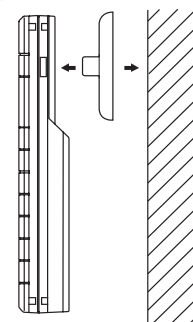
- La lectura barométrica de la presión atmosférica actual es visualizada directamente por debajo de los iconos de las previsiones tiempo.
- La presión atmosférica relativa es calibrada por el usuario durante la programación de la unidad.
- Para ajustar esta función por favor siga las instrucciones de programación anotadas en la sección N de la Guía detallada para la puesta en funcionamiento.

#### I. Gráfico de Barras con el Histograma de la presión Atmosférica

- El gráfico de barras indica la tendencia del historial de presión atmosférica de las últimas 24 horas en 7 pasos: 0h, -3h, -6h, -9h, -12h, -18h y -24h.
- "0h" representa el registro actual de la presión atmosférica durante una hora completa.
- Las columnas representan el valor "hPa" (0, ±2, ±4, ±6) a una hora específica.
- El "0" en el medio de esta escala corresponde a la presión actual, y cada cambio (±2, ±4, ±6) indica el aumento o disminución en "hPa" de la presión anterior respecto de la presión actual.

P.51 S

#### B. Fijando con la Cinta adhesiva



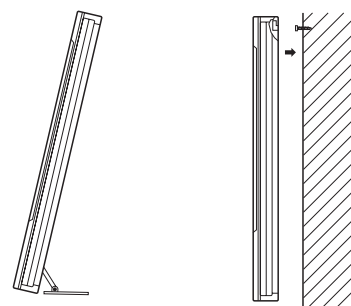
- Con una solución no abrasiva limpie y seque la parte de atrás del soporte y la superficie de montura para asegurar un sostenimiento seguro. La superficie de montaje debe ser lisa y llana.
- Retire la banda de protección de un lado de la cinta.
- Presione y adhiérala firmemente en el área designada en la parte de atrás del soporte de montaje.
- Retire la banda de protección del otro lado de la cinta. Y coloque el soporte de montaje.
- Asegure la cuña de montaje dentro del receptor de montaje

**Nota:** Montar con cinta adhesiva no se recomienda como una permanente que monta la solución. Sólo utilice la cinta adhesiva durante el proceso de la puesta de funcionamiento.

#### B. Fijando la Estación Meteorológica en Interiores WS-8035U-IT

La Estación meteorológica en Interiores puede ser instalada de dos maneras: posición libre o colgada en la pared.

Para apoyar la Estación en cualquier lugar simplemente hale el soporte que hay en la parte trasera de la unidad y colóquela sobre una superficie plana.



Para colgar la estación en la pared:

- Asegúrese que el stand integrado este doblado y guardado.
- Fije un tornillo (no incluido) en la pared deseada, dejándolo por fuera de la pared aprox. 3/16 de pulgada (5mm).
- Coloque la Estación meteorológica en Interiores dentro del tornillo usando el orificio para colgar ubicado en la parte trasera.
- Suavemente hale la Estación para que quede perfectamente encajada en su lugar.

P.53 S

## Instrucciones de Cuidado y Mantenimiento

- Evite exponer las unidades a temperaturas extremas, vibraciones y choques para prevenir daños en las unidades.
- Limpie las pantallas y las unidades con un paño suave húmedo. No use agentes solventes o frotantes; estos pueden rayar las unidades y las cubiertas.
- No sumerja la unidad en el agua.
- Cuando las pilas se agoten retire inmediatamente todas las pilas usadas para evitar goteo y daño.
- Si abre las cubiertas de la unidad invalidará la garantía. No intente reparar la unidad. Para las reparaciones contacte directamente a "La Crosse Technology".

## PROBLEMAS Y SOLUCIONES

**Problema:** La pantalla LCD es borrosa.

**Solución:**

- Aumente el nivel de contraste de la pantalla.
- Cambie las pilas.

**Problema:** No se visualiza ninguna lectura de la temperatura/humedad al aire libre.

**Solución:**

- Retire todas las pilas, reinsértelas primero en el sensor remoto thermo/hygro, luego en la estación meteorológica en interiores.
- Coloque el Transmisor remoto thermo/hygro más cerca de la Estación meteorológica en interiores.
- Asegúrese que todas las pilas sean nuevas.
- Asegúrese que en la vecindad no se este utilizando ningún otro aparato que pueda causar interferencia (tales como monitores de ordenadores y televisores, auriculares, o altavoces. La señal se desplaza en línea recta, cualquier aparato eléctrico cerca de esa "línea" puede causar interferencia.

**Problema:** La Temperatura, Humedad o presión atmosférica son incorrectas.

**Solución:**

- Cheque/Cambie las pilas.
- Si se están utilizando varios sensores, cheque la ubicación con los respectivos "números encerrados."
- Retire la unidad de cualquier fuente de calor/frío.
- Ajuste la presión atmosférica relativa utilizando los datos de una fuente fiable (TV, radio, etc.).
- La Estación Meteorológica y los sensores son calibrados en fábrica. Si hay un problema persistente, por favor contáctese con la "La Crosse Technology".

**Problema:** La Humedad visualiza "- " o "99%".

**Solución:**

- La Humedad esta por debajo del 1% o sobre el 99%.

**Problema:** No se recibe o no se actualiza la hora y la fecha de la señal del transmisor WWVB

**Solución:**

- Espere durante toda la noche para recibir la señal
- Retire la estación de cualquier aparato eléctrico que pueda causar interferencia
- Coloque la estación en una ventana que este en Dirección hacia Colorado.
- La primera recepción es la más difícil, ya que la estación necesita recibir la señal de recepción claramente durante cinco minutos consecutivos. Después que se reciba la hora/fecha por primera vez la estación solamente necesitará recibir una buena señal de recepción durante un minuto cada noche.

## ESPECIFICACIONES TECNICAS

### Rango de medición de la Temperatura

|          |   |
|----------|---|
| Interior | 14.2°F a 139.8°F con una resolución de 0.2°F<br>(-9.9°C a 59.9°C con una resolución de 0.1°C)<br>(Se visualizará "OFL" si esta por fuera de este intervalo) |
| Exterior | -39.8°F a 139.8°F con una resolución de 0.2°F<br>(-39.9°C a 59.9°C con una resolución de 0.1°C)   |

S P.54

(Se visualizará "OFL" si esta por fuera de este intervalo)

### Rango de medición de la Humedad Relativa

|                    |   |
|--------------------|---|
| Interior/ Exterior | 1% a 99% con una resolución de 1%<br>(Muestra este símbolo "- " si la temperatura esta por fuera del intervalo OL.F; muestra "- " si es < 1% y "99%" si es > 99%) |
|--------------------|---|

### Presión Atmosférica

|                                      |   |
|--------------------------------------|---|
| Relativa en 'hPa' (ajustable)        | 960 hPa a 1040 hPa  |
| Relativa en 'inHg' (ajustable)       | 28.35 inHg a 30.72 inHg   |
| Nivel de Sensibilidad 'hPa'          | 2 hPa a 4 hPa   |
| Histograma de la presión atmosférica | Durante las últimas 24 horas<br>(0, -3, -6, -9, -12, -18 y -24 horas) |

### Intervalo de chequeo de los datos

|                           |                  |
|---------------------------|------------------|
| Temperatura en Interiores | Cada 15 segundos |
| Humedad en Interiores     | Cada 20 segundos |
| Temperatura al aire libre | Cada 4 segundos  |
| Humedad al aire libre     | Cada 4 segundos  |

### Actualización de las Lecturas del Transmisor ( en el sensor)

|                           |                    |
|---------------------------|--------------------|
| Temperatura al aire libre | Cada 4 segundos    |
| Humedad al aire libre     | Cada 4 segundos    |
| Frecuencia de Transmisión | 915MHz             |
| Rango de Transmisión      | 330 pies (100m)max |

### Fuente de Energía

|                          |                            |
|--------------------------|----------------------------|
| Estación del Tiempo:     | 3 pilas AA (IEC LR6) 1.5V  |
| Transmisor Thermo Hygro: | 2 pilas AA (IEC LR6) 1.5V. |

### Dimensiones (L x A x A)

|                            |   |
|----------------------------|---|
| Estación Meteorológica     | 10 x 7.75 x 1 pulgadas (254 x 197 x 25 mm)              |
| Sensor Remoto thermo/hygro | 5.05 x 1.50 x 0.83 pulgadas<br>(128.3 x 38.2 x 21.2 mm) |

## INFORMACION SOBRE LA GARANTIA

La Crosse Technology, Ltd. le otorga para este producto una garantía limitada por 1 año contra daños de fabricación y los materiales.

Esta garantía limitada comienza a partir del día de la compra, solamente es valida para productos comprados en América del Norte y solamente comprados al distribuidor original autorizado de este producto. Para recibir servicio de la garantía, el comprador deberá contactar a La Crosse Technology, Ltd para la evaluación de problemas y los tramites de servicio. Los servicios de la garantía deberán ser hechos por el centro autorizado de servicio al cliente de La Crosse Technology, Ltd. El recibo original de compra deberá ser incluido si este solicitado como prueba de la compra por La Crosse Technology, Ltd o el centro de servicio autorizado de La Crosse Technology.

La Crosse Technology, Ltd le reparará o le reemplazará este producto, bajo nuestra discreción y se hará gratuitamente tal como esta estipulado en la presente, con piezas o productos nuevos o reparados si se encuentran que estos son defectuosas durante el periodo cubierto por la garantía limitada especificado anteriormente. Todas las piezas y productos cambiados pasarán a ser propiedad de La Crosse Technology, Ltd y deberán ser devueltas a La Crosse Technology, Ltd. Las piezas o productos cambiados seguirán cubiertos por la garantía original restante del producto, o noventa (90) días, será lo que tenga mayor duración. La Crosse Technology, Ltd pagará los gastos de mano de obra y materiales de todas las reparaciones cubiertas por esta garantía. Si hay alguna reparación necesaria que no este cubierta por esta garantía o si el producto es examinado y no necesita ninguna reparación el costo de la reparación o inspección del aparato le será cobrado al cliente. El propietario deberá pagar los costos de envío para enviar su producto de La Crosse Technology, Ltd hasta un centro de servicio autorizado de La Crosse Technology, Ltd. La Crosse Technology, Ltd le pagará los costos de envío de retorno al propietario del una dirección de EEUU sólo.

P.55 S

Su garantía de La Crosse Technology, Ltd cubre todos los defectos del material y fabricación del producto con las siguientes excepciones: (1) los daños causados por accidentes, uso irrazonable o negligencia (incluyendo la falta de mantenimiento razonable y necesario); (2) daños ocurrido durante el envío/transporte (los reclamos deberán ser hechos al transportador); (3) daños o deterioro de cualquier accesorio o superficie decorativa; (4) daños como resultado del no cumplimiento de las instrucciones contenidas en el manual de instrucciones del usuario; (5) daños ocasionados por la reparación o modificación efectuadas por personal distinto al del centro de servicio autorizado de La Crosse Technology.; (6) unidades utilizadas para un uso diferente al del uso domestico (7) las aplicaciones y usos para los cuales no esta destinado este producto o (8) la incapacidad del producto de recibir la señal debido a cualquier fuente de interferencia. Esta garantía cubre solamente los defectos actuales del producto mismo y no cubre los costos de instalación o desinstalación de una instalación fija, la configuración normal, los reclamos basados en malas interpretaciones del vendedor o las variaciones de funcionamiento resultantes de las circunstancias relativas con la instalación.

LA CROSSE TECHNOLOGY, LTD NO ASUMIRA NINGUNA RESPONSABILIDAD POR DAÑOS INCIDENTALES, CONSECUTIVOS, PUNITIVOS U OTROS DAÑOS SIMILARES RELACIONADOS CON LA UTILIZACION O EL MAL FUNCIONAMIENTO DE ESTE PRODUCTO. ESTE PRODUCTO NO DEBERA SER USADO PARA FINES MÉDICOS O PARA INFORMACION AL PÚBLICO. ESTE PRODUCTO NO ES UN JUGUETE. MANTÉNGALO FUERA DEL ALCANCE DE LOS NIÑOS.

Esta garantía le confiere derechos legales específicos. Usted también puede tener otros derechos específicos de su Estado. Algunos Estados no permiten la exclusión de daños y perjuicios consecuenciales o incidentales, por lo tanto la anterior exclusión de limitación puede que no aplique en su caso.

Para trabajos de la garantía, asistencia técnica o información, por favor contacte:

La Crosse Technology  
2809 Losey Blvd. S.  
La Crosse, WI 54601  
Phone: 608.782.1610  
Fax: 608.796.1020

e-mail:  
[support@lacrossetechnology.com](mailto:support@lacrossetechnology.com)  
(Trabajo de la garantía)

[sales@lacrossetechnology.com](mailto:sales@lacrossetechnology.com)  
(Información de otros productos)

Web:  
[www.lacrossetechnology.com](http://www.lacrossetechnology.com)

Preguntas? Instrucciones ? Por favor vea:  
[www.lacrossetechnology.com/8035it](http://www.lacrossetechnology.com/8035it)

Todos los derechos reservados. Este manual no deberá ser reproducido de ninguna forma, ni siquiera en citas bibliográficas ni ser copiado o procesado electrónica, mecánica o químicamente sin permiso escrito del editor.

Este manual puede contener errores técnicos y errores de impresión. La información contenida en este manual se verifica regularmente y las correcciones se harán en la próxima edición. Nosotros no aceptamos ninguna responsabilidad por los errores técnicos o los errores de impresión o sus posibles consecuencias.

Todas las marcas comerciales y las patentes están reconocidas.

EJIN8035L260

S P.56

P.57 S