



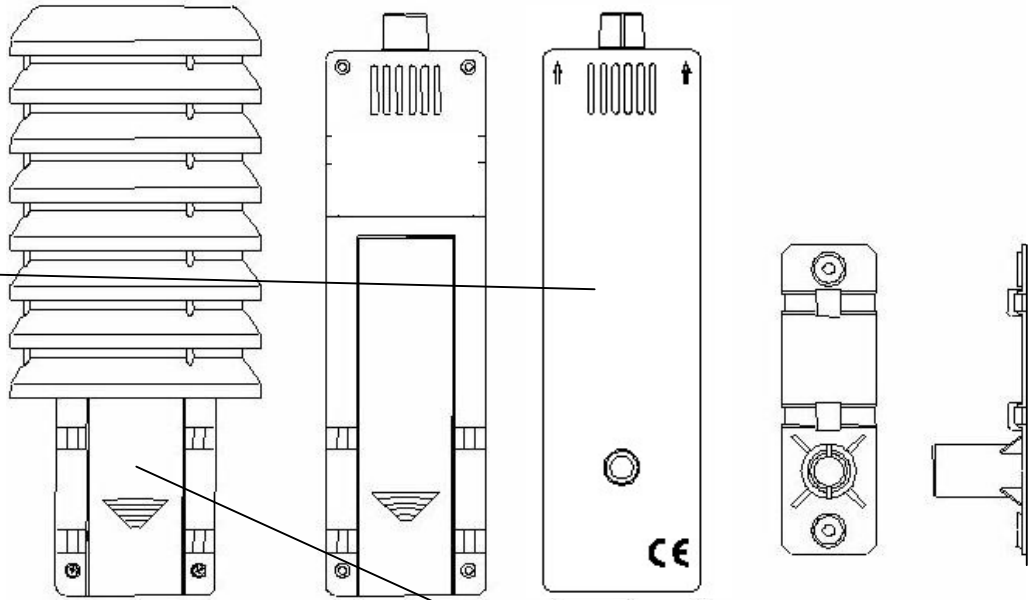
**FCC ID : OMO-M-06**

THIS DEVICE COMPLIES WITH PART 15 OF THE FCC RULES. OPERATION IS SUBJECT TO THE FOLLOWING TWO CONDITIONS: (1) THIS DEVICE MAY NOT CAUSE HARMFUL INTERFERENCE, AND (2) THIS DEVICE MUST ACCEPT ANY INTERFERENCE RECEIVED, INCLUDING INTERFERENCE THAT MAY CAUSE UNDESIRED OPERATION.

FREQ. 915 MHz  
LA CROSSE TECHNOLOGY  
MADE IN CHINA  
MODEL: TX59U-IT

TO REPLACE BATTERIES:  
1ST INSERT BATTERIES IN REMOTE TRANSMITTER.  
2ND INSERT BATTERIES IN RECEIVER.  
3RD WAIT UNTIL OUTDOOR TEMPS REC'D BEFORE SETTING TIME.

Protected under U.S. Patents  
5,978,738; 6,076,044; & 6,597,990



**LA CROSSE<sup>®</sup>**  
**TECHNOLOGY**