

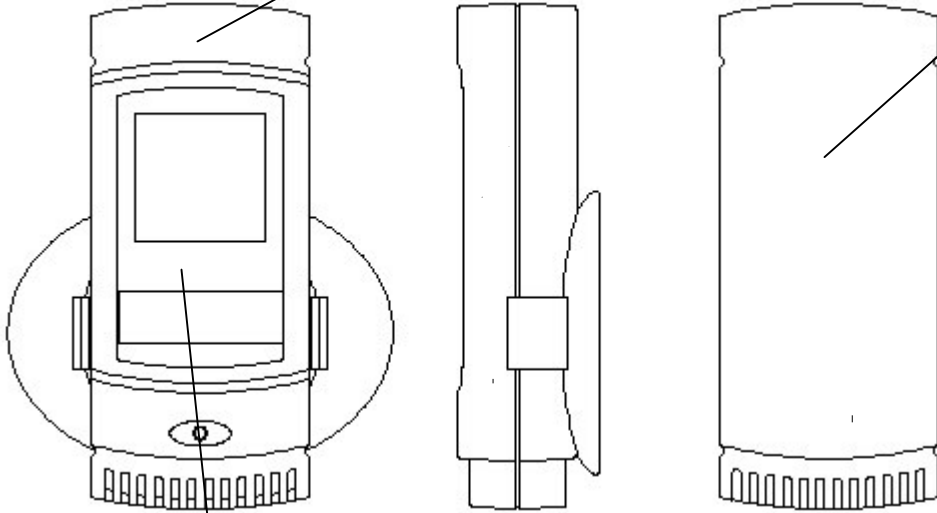


FCC ID : OMO-M-02

THIS DEVICE COMPLIES WITH PART 15 OF THE FCC RULES. OPERATION IS SUBJECT TO THE FOLLOWING TWO CONDITIONS: (1) THIS DEVICE MAY NOT CAUSE HARMFUL INTERFERENCE, AND (2) THIS DEVICE MUST ACCEPT ANY INTERFERENCE RECEIVED, INCLUDING INTERFERENCE THAT MAY CAUSE UNDESIRE OPERATION.

**FREQ. 915 MHz
LA CROSSE TECHNOLOGY
MADE IN CHINA
MODEL: TX61U-IT**

**TO REPLACE BATTERIES:
1ST INSERT BATTERIES IN REMOTE TRANSMITTER.
2ND INSERT BATTERIES IN RECEIVER.
3RD WAIT UNTIL OUTDOOR TEMP IS REC'D BEFORE SETTING TIME.**



Solar Powered Sensor

BY LA CROSSE TECHNOLOGY®

**Protected under U.S. Patents
5,978,738; 6,076,044; & 6,597,990**