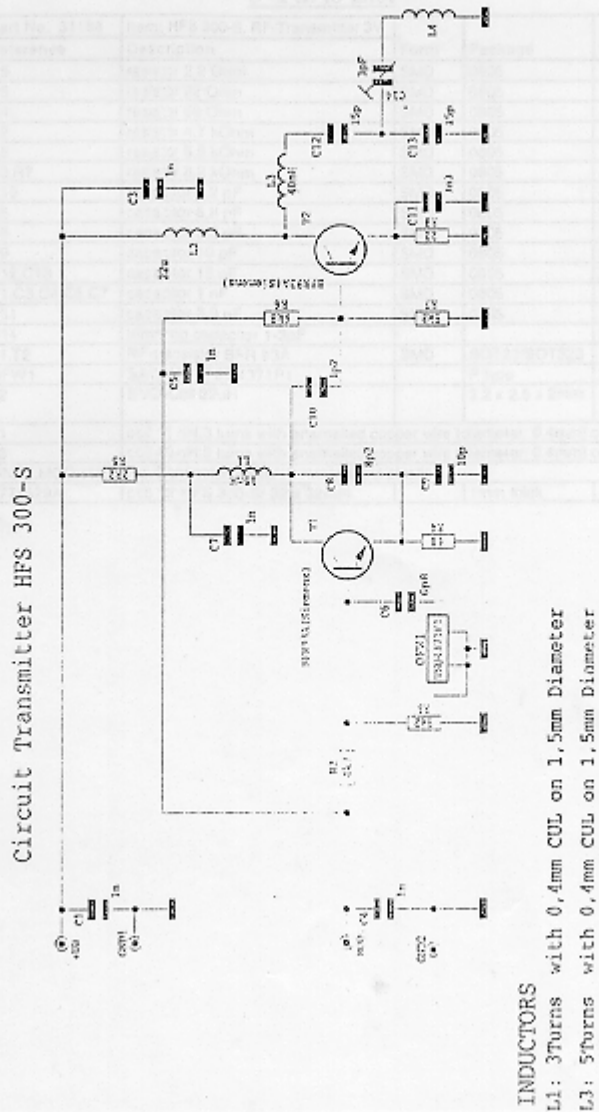


HFS 300-S Transmitter Electrical Schematic

Transmitter

ELV	Item: HFS 300-S	Page: 4/9
	Part Number: 31188	Version: 1.0
Assembly, Calibration and Test Documentation		Date: 10.02.98

4 Schematic Diagram



INDUCTORS
 L1: 3Turns with 0,4mm CUL on 1,5mm Diameter
 L2: 5Turns with 0,4mm CUL on 1,5mm Diameter

prepared/checked	appr. by managing director	appr. by technical director	appr. by development dir.
<i>Jolde</i>		<i>...</i>	<i>Schäfer</i>
Date:	Date:	Date:	Date:
10.02.98		10.2.98	10.2.98