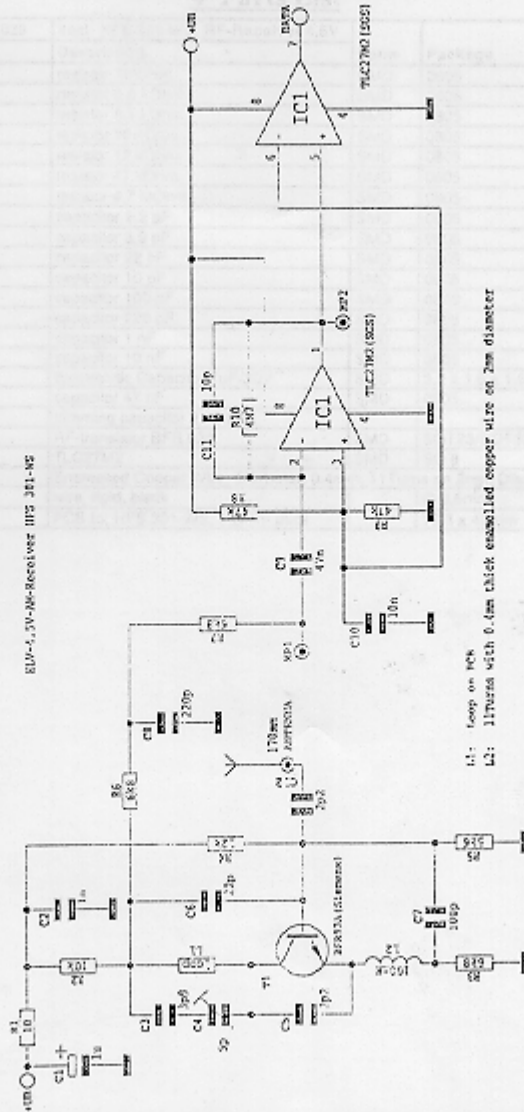


HFS 301-WS Receiver Electrical Schematic

ELV	Item: HFS 301-WS Part Number: 31029	Page: 3/7 Version: 1.1
	Assembly, Calibration and Test Documentation	Date: 03.04.98

3 Schematic Diagram



L1: loop on PCB
L2: 11turns with 0.4mm thick enameled copper wire on 2mm diameter

prepared/checked <i>J. Tolof</i>	appr. by managing director	appr. by technical director <i>[Signature]</i>	appr. by development dir. <i>[Signature]</i>
Date: <i>03.04.98</i>	Date:	Date: <i>8.4.98</i>	Date: <i>3.4.98</i>