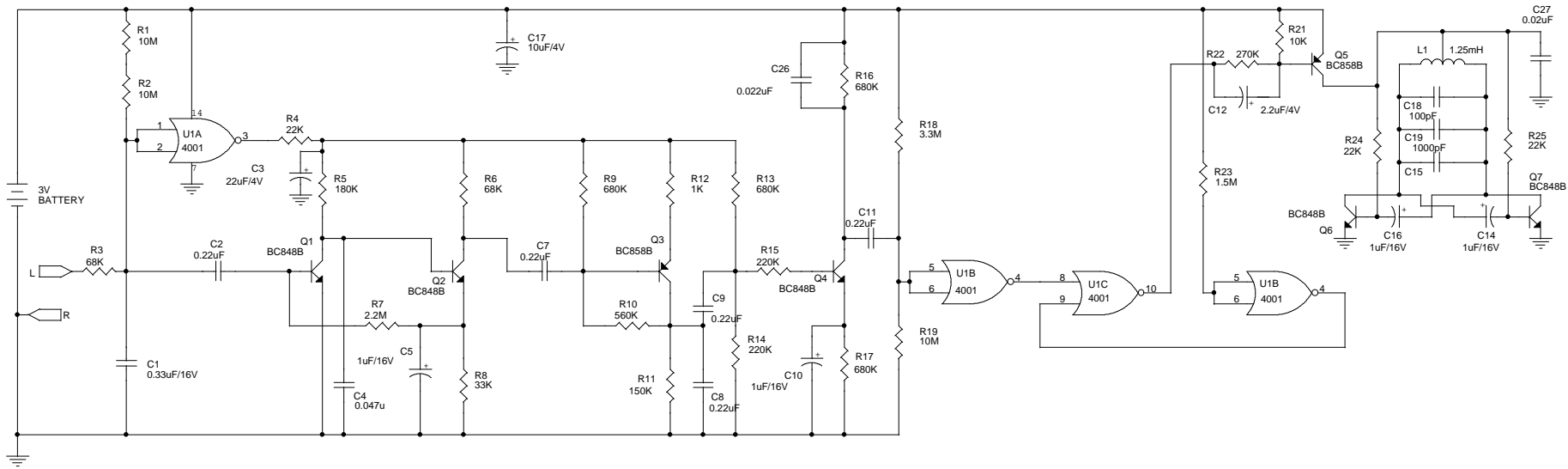
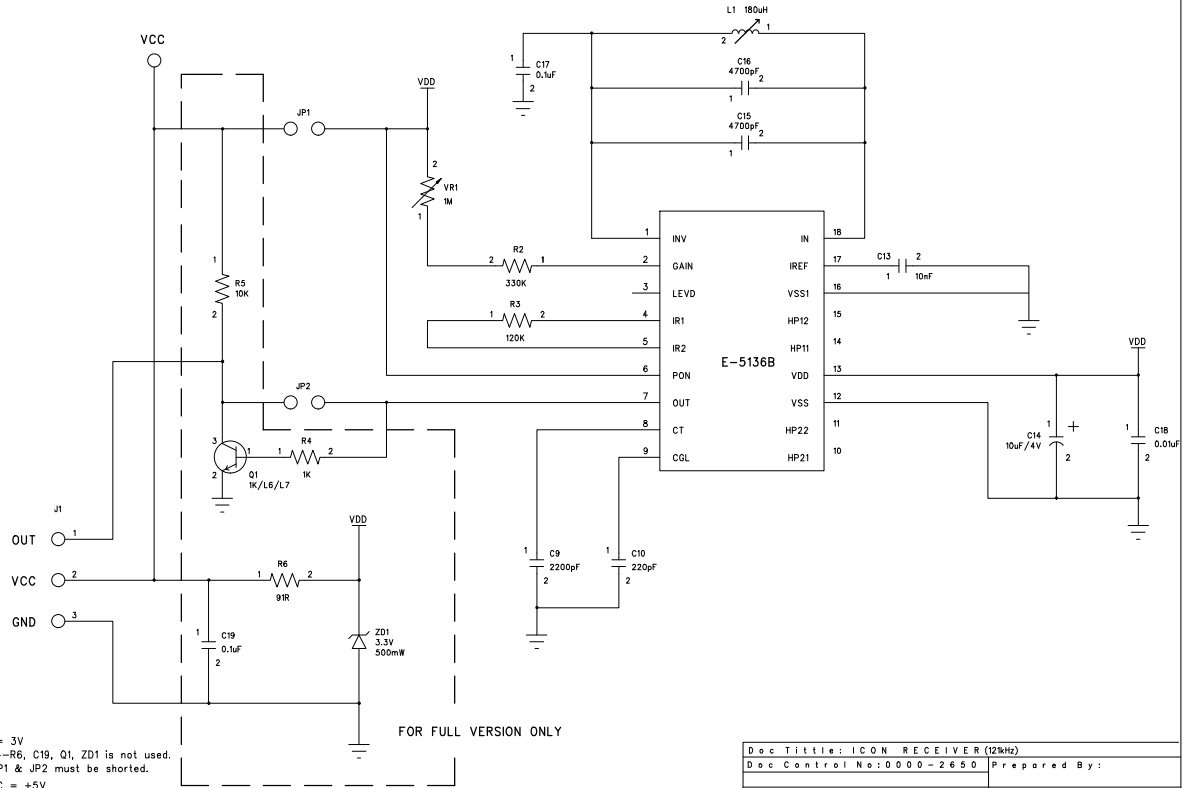


Transmitter Board
(USE TOSHIBA TC4001BFN)



Doc Title: Transmitter Schematic (121kHz)	
Doc Control No:0000-0612	Prepared By:
	Verified By:
Your Model:	Approved By:
Page: 2/2	Ver. 1.4



Note: (1) STD Version: VCC = 3V
R4-R6, C19, Q1, ZD1 is not used.
JP1 & JP2 must be shorted.

(2) FULL Version: VCC = +5V
R4-R6, C19, Q1, ZD1 is used.
JP1 & JP2 is opened.

FOR FULL VERSION ONLY

Doc Title: IC0N RECEIVER (12kHz)	
Doc Control No:0000-2650	Prepared By:
	Verified By:
	Approved By:
Page: 1 / 1	Version: 2.1