



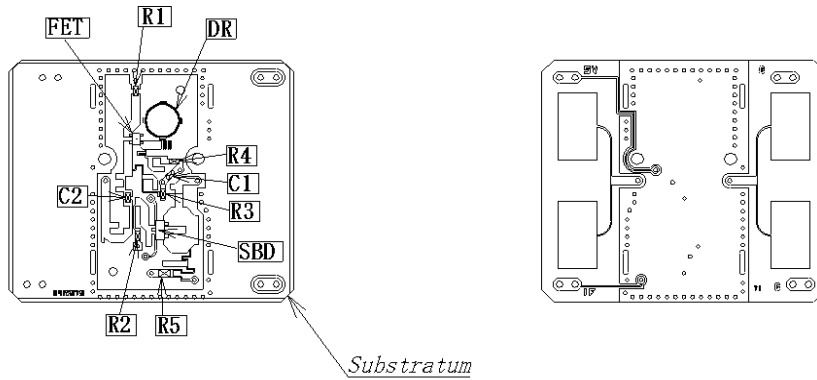
Pattern Layout Diagram / Component Diagram
/ Parts List

NJR4175 Layout

Pattern Layouts

The Surface

The Reverse Side

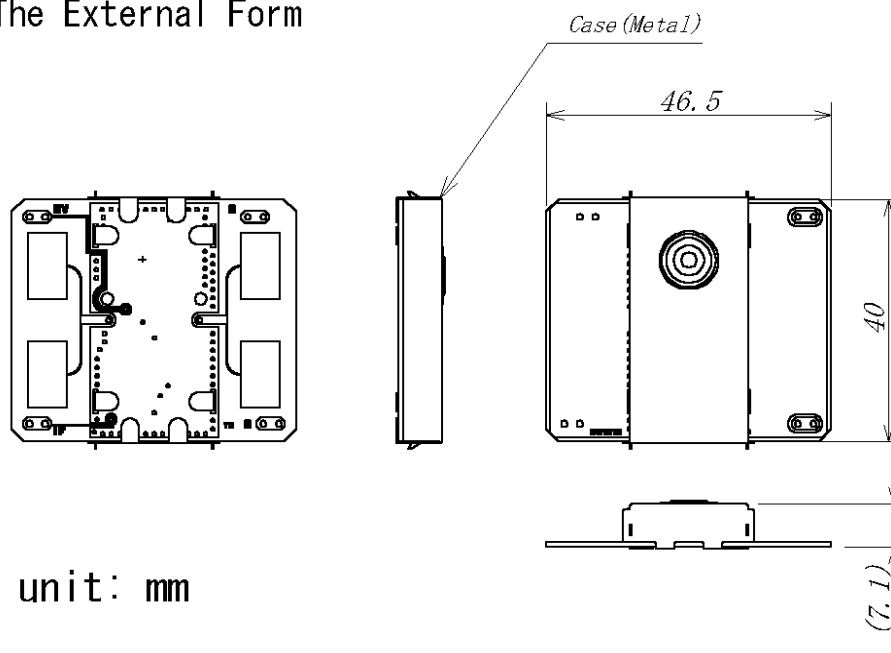


Parts List

Parts Name	QTY	TYPE	Value
R (Chip Resistors)	5	ERJ*****	R1: 82Ω, R2, R3: 51Ω, R4: 10Ω, R5: 12kΩ
C (Chip Capacitors)	2	GRM*****	C1: 1000pF, C2: 2pF
FET (Field Effect Transistor)	1	NE72218-T1	_____
SBD (Shotkey Barrier Diode)	1	HSM8202	_____
Substratum	1	_____	_____
Case	1	_____	_____
DR (Dielectric Resonator)	1	DRD0559*****	_____

Component Layouts

The External Form



unit: mm