

SOUNDLOGIC™

TSB-60723, TPBS-60294, 2199996

Wireless Disco Party Ball Table-Top Speaker



INSTRUCTION MANUAL

**PLEASE READ ALL INSTRUCTIONS CAREFULLY AND
RETAIN FOR FUTURE USE**

Getting Started

- Remove the unit from the box.
- Remove any packaging from the product.
- Please retain all packaging after you have checked and counted all the parts and the contents against the list.

Package Contents

- Bluetooth Wireless Disco Part Ball Table-Top Speaker
- AC/DC power adapter
- Aux-in cable
- Instruction Manual

Product Features

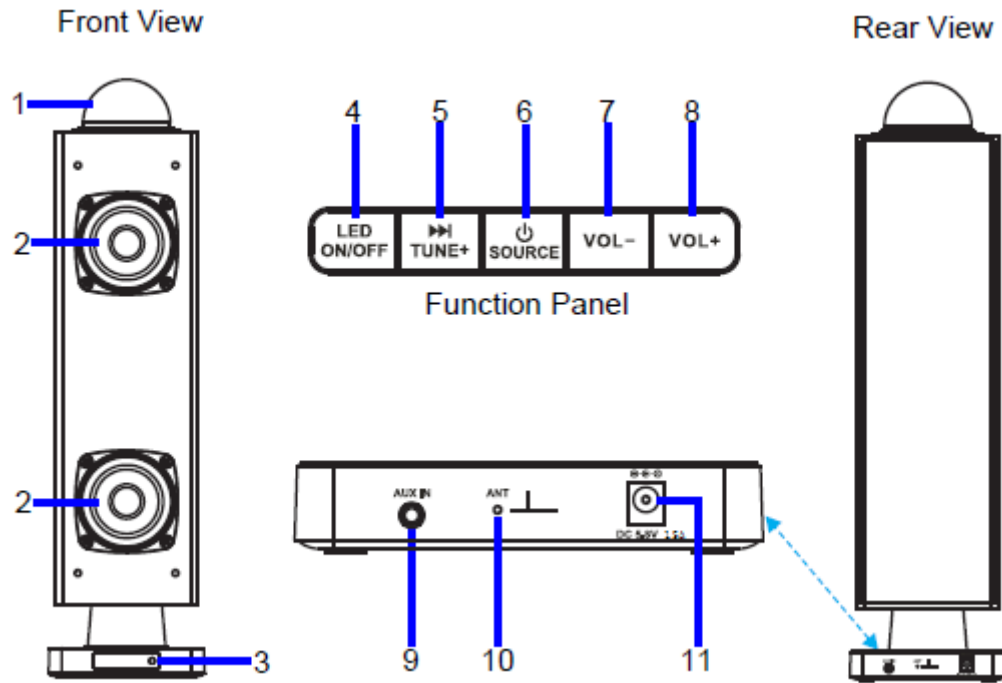
- Bluetooth Wireless Disco Part Ball Table-Top Speaker
- Play music wirelessly
- Wirelessly connects to all Bluetooth enabled devices
- Compatible to iPod, iPhone, Samsung Galaxy phones, laptops & more
- Wireless range: 33 Feet
- Built-in Aux jack

IMPORTANT SAFETY INSTRUCTIONS

1. Read these instructions.
2. Keep these instructions.
3. Heed all warnings.
4. Follow all instructions.
5. Do not use this apparatus near water.
6. Clean only with dry cloth.
7. Do not block any ventilation openings. Install in accordance with the manufacturer's instructions.
8. Do not install near any heat sources such as radiators, heat registers, stoves, or other apparatus (including amplifiers) that produce heat.
9. Do not defeat the safety purpose of the polarized or grounding-type plug. A polarized plug has two blades with one wider than the other. A grounding type plug has two blades and a third grounding prong. The wide blade or the third prong is provided for your safety. If the provided plug does not fit into your outlet, consult an electrician for replacement of the obsolete outlet.
10. Protect the power cord from being walked on or pinched particularly at plugs, convenience receptacles, and the point where they exit from the apparatus.

11. Only use attachments/accessories specified by the manufacturer.
12. Use only with the cart, stand, tripod, bracket, or table specified by the manufacturer, or sold with the apparatus. When a cart is used, use caution when moving the cart/apparatus combination to avoid injury from tip-over.
13. Unplug this apparatus during lightning storms or when unused for long periods of time.
14. Refer all servicing to qualified service personnel. Servicing is required when the apparatus has been damaged in any way, such as power-supply cord or plug is damaged, liquid has been spilled or objects have fallen into the apparatus, the apparatus has been exposed to rain or moisture, does not operate normally, or has been dropped.

Description of Parts



1	Disco Ball	7	VOL - Button
2	Speakers	8	VOL + Button
3	Indicator	9	AUX IN
4	LED ON/OFF Button	10	FM Antenna
5	▶▶ / TUNE + Button	11	DC IN
6	POWER ON/OFF/SOURCE Button		

INSTRUCTIONS FOR USE

1. Connect the provided power adapter to the DC IN of the speaker and plug the adapter to a wall port. Red indicator will light on.
2. Press and hold the POWER ON/OFF Button of the unit to turn on the unit from standby mode.
3. Short press the SOURCE Button each time to switch to desired mode, the color of the indicator will turn accordingly-
Green : FM mode
Blue : Bluetooth mode
Purple : AUX mode
4. During playback:
 - Press the VOL + or VOL – Button to adjust the desire volume level.
 - Press and hold the LED ON/OFF Button to turn on or off the LED light of the Disco Ball on top of the unit.
5. When finished using, press and hold the POWER ON/OFF Button to turn off the unit (standby mode).
6. If the unit is not used for a long time, unplug the power adapter from wall outlet.

Pairing your device with the Speaker –


Your **Bluetooth Speaker** can stream wireless audio from any Bluetooth enabled device within the range of 27-33 Feet. Simply follow the below steps.

1. Turn on the speaker.
2. Short press the SOURCE Button each time until the color of the LED indicator turns to Blue and will flash. An indication tone will be heard and the speaker is now in pairing mode.
3. Turn on the Bluetooth on your Mobile Phone or Tablet or Computer.
4. It will search for available Bluetooth devices.
5. Bluetooth Speaker would appear as “**SL DISCO TOWER**”, in the list of searched devices. Select it from the available list of devices.
6. If required, enter the password ‘0000’ to confirm pairing.
7. Once paired successfully, another indication tone will be heard.
8. If you fail to pair it within a few seconds or you want to pair it with a new device, please repeat above steps.

Play your favorite song on the Bluetooth source device and music would now stream through the speaker.

Listening to Wireless Music

Please ensure that your device (iPhone, Tablet or Other Smart Phone) is paired with the speaker to stream wireless music. Once it is paired, play music from your device.

Function	Operation	Button
Increase / Decrease Volume	Playing music	Press the VOL + or VOL – Button to increase or decrease the volume. or Adjust volume from the source device.
Next Track	Playing music	A short press on the  Button to will take you to the next track

Tips!!

Short press the SOURCE Button each time to switch different functions of the speaker. The functions are – FM / Bluetooth / AUX.

Listening to Music using AUX-In

1. Turn on the speaker.
2. Short press the SOURCE Button each time until the color of the LED indicator turns to Purple.
3. Plug the 3.5 mm Aux-in cable (included) into the AUX IN port of the speaker for AUX function. And, the other end of the cable to the audio device (such as computer / tablet / MP3 Player etc.).
4. Select your favorite song at the source device.

FM Radio

1. Turn on the speaker.
2. Short press the SOURCE Button each time until the color of the LED indicator turns to Green.
3. Press the TUNE + Button to search and play the searched available FM station. Or press and hold the TUNE + Button until the LED indicator starts blinking to search and play the searched available FM station with Green LED indicator stays on.

Note: The FM Antenna on the rear of the unit is for radio reception. If reception is weak, unwind and extend the wire or relocate the wire to improve the radio reception.

Do's and Don'ts

- Do not play music at excessive levels as damage to hearing and/or equipment may result.
- Do not use outdoors in wet or in damp surroundings.

Care and maintenance

Clean the unit with a soft, dry cloth. Never use chemicals or hard abrasives.

Keep this unit away from wet or damp surroundings.

Product Specifications:

Bluetooth version	: 2.1 + EDR
Speaker output	: 2 x 3W
Unit size	: 17.3" x 4.7" x 4.7"
Unit weight	: 2.4 lb
Power supply	: AC/DC adaptor (Input: AC 100-240V 50/60Hz 0.5A, Output: DC 5.8V 1.5A centre positive)
Bluetooth range	: 27 - 33 Feet
FM radio frequency	: 87.5 – 108MHz

TROUBLESHOOTING

Problem	Possible Cause	Solution
No power	AC/DC adapter plug not connected to the wall outlet	Plug to the wall outlet.
No sound	Volume in minimum position. The connected device is not in play mode. Input source incorrect.	Press VOL + Button to increase the volume. Play the music in the connected device and make sure the volume level is in high level. Press the SOURCE button to set the input source to the desired function.
Sound distortion	Volume level too high	Press VOL - Button to decrease the volume.

FCC Instructions

Changes or modifications not expressly approved by the party responsible for compliance could void the user's authority to operate the product.

NOTE: This product has been tested and found to comply with the limits for a Class B digital device, pursuant to Part 15 of the FCC Rules. These limits are designed to provide reasonable protection against harmful interference in a residential installation. This product generates, uses and can radiate radio frequency energy and, if not installed and used in accordance with the instructions, may cause harmful interference to radio communications. However, there is no guarantee that interference will not occur in a particular installation. If the product does cause harmful interference to radio or television reception, which can be determined by turning the equipment off and on, the user is encouraged to try to correct the interference by one or more of the following measures :

- Reorient or relocate the receiving antenna.

- Increase the separation between the product and receiver.
- Connect the product into an outlet on a circuit different from that to which the receiver is connected.
- Consult the dealer or an experienced radio/TV technician for help.

The device complies with Part 15 of the FCC Rules. Operation is subject to the following two conditions: (1) this device may not cause harmful interference, and (2) this device must accept any interference received, including interference that may cause undesired operation.

Limited Warranty

This manufacturer's product warranty extends to the original consumer purchaser of the product. Neither the retailer nor any other company involved in the sale or promotion of this product is a co-warrantor of this manufacturer warranty.

WARRANTY DURATION: All materials and workmanship are warranted to the original consumer purchaser for a period of ninety (90) days from the original purchase date.

WARRANTY COVERAGE: This product is warranted against defective materials or workmanship. This warranty is void if the product has been damaged by accident, in shipment, unreasonable use, misuse, neglect, improper service, commercial use, repairs by unauthorized personnel or other causes not arising out of defects in materials or workmanship. This warranty doesn't cover the following which may be supplied with this product, including but not limited to; LCD Screens, glass parts, lenses, bulbs etc. This warranty is effective only if the product is purchased and operated in USA and Canada, and does not extend to any units which have been used in violation of written instructions furnished by manufacturer or to units which have been altered or modified or, to damaged products or parts thereof which have had the serial number removed, altered, defaced or rendered illegible.

WARRANTY DISCLAIMERS: This warranty is in lieu of all warranties expressed or implied and no representative or person is authorized to assume for manufacturer any other liability in connection with the sale of our products. There shall be no claims for defects or failure under any theory of tort, contractor commercial law including but not limited to, negligence, gross negligence, strict liability, breach of warranty and breach of contract. Under no circumstances will Manufacturer's / Distributor's maximum liability exceed the retail value of the product.

WARRANTY PERFORMANCE: During the above 90 day warranty period, a product with a defect will be either repaired or replaced with a reconditioned comparable model (at manufacturer's option). The repaired or replacement product will be in warranty for the balance of the 90 day warranty period and an additional one-month period. No charge will be applicable for such repair or replacement.

SERVICE AND REPAIR: If service is required for this product, you should first contact Midwest Trading Group Customer Service at info@mtradinggroup.com or by calling 1 (866) 815-4714, Monday to Friday 10am to 6pm EST.

NOTE: Manufacturer cannot assume responsibility for loss or damage during incoming shipment. As a precautionary measure, carefully package the product for shipment, and insure it with the carrier. Be sure to enclose the following details with the product: your full name, return address and daytime phone number, a note describing the problem you experienced, a copy of your sales receipt or other proof of purchase to determine warranty status. C.O.D. shipments cannot be accepted.