



BLUETOOTH ENTERTAINMENT SPEAKER SYSTEM
INSTRUCTION MANUAL



MODEL:927032

PLEASE READ ALL INSTRUCTIONS CAREFULLY AND RETAIN FOR FUTURE USE

Contents

Safety Information	2
Important safety information	3
Assembling the unit	4
Assembling the unit	5
Assembling the unit	6
Assembling the unit on wall	7
Assembling the unit on wall	8
Functions and Controls	9
Overview of controls	10
User Instructions	10
Making the connections	10
General operation	10
Time setting	10
Alarm setting	10
Snooze	10
Sleep timer	10
Dimmer	11
FM/AM operation	11
BT operation	11
Pairing and connecting	11
During playing	11
CD/MP3 operation	11
During playing	11
Programme procedure	11
USB operation	11
During playing	12
Care and Maintenance	12
Troubleshooting	13
Technical Specifications	14
FCC statement	15
Limited Warranty	16



Safety Information

Important – Please read these instructions fully before installation

CAUTION: TO REDUCE THE RISK OF ELECTRIC SHOCK, DO NOT REMOVE ANY COVER. NO USER-SERVICEABLE PARTS INSIDE, REFER ANY SERVICING TO QUALIFIED SERVICE PERSONNEL.

- Please read this owner's guide
- Please take the time to follow the instructions in this owner's guide carefully. It will help you set up and operate your system properly and enjoy all of its advanced features.
- Please save this owner's guide for future reference.
- The product label is located on the back of the product.
- This product must be used indoors. It is neither designed nor tested for use outdoors, in recreation vehicles, or on boats.
- Heed all warnings - on the product and in the owner's guide.
- Do not use this apparatus near water or moisture. Do not use this product near a bathtub, washbowl, kitchen sink, and laundry tub, in a wet basement, near a swimming pool, or anywhere else that water or moisture is present.
- Only use attachments/accessories specified by the manufacturer.
- Unplug this apparatus during lightning storms or when unused for long periods of time - to prevent damage to this product.
- Refer all servicing to qualified service personnel
- Servicing is required when the apparatus has been damaged in any way: such as liquid has been spilled or objects have fallen into the apparatus; the apparatus has been exposed to rain or moisture, does not operate normally, or has been dropped - Do not attempt to service this product yourself. Opening or removing covers may expose you to dangerous voltages or other hazards.
- To prevent risk of fire or electric shock, avoid overloading wall outlets, extension cords, or integral convenience receptacles.
- Use proper power sources - Plug the product into a proper power source, as described in the operating instructions or as marked on the product.
- The mains plug is used as the disconnect device, the disconnect device shall remain readily accessible



CAUTION

**RISK OF ELECTRIC SHOCK!
DO NOT OPEN!**



This symbol means that this unit is double insulated. An earth connection is not required.

CAUTION : CLASS 1 LASER PRODUCT

Use of contents or adjustments of performance of procedures other than those specified Herein may result in hazardous radiation exposure.

LASER SAFETY



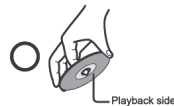
This unit employs a laser, only qualified service personnel should attempt repair.

DANGER: Invisible laser radiation when open and interlock failed or defeated avoid direct exposure to beam.

CAUTION: hazardous laser radiation when open and interlock defeated.

Disc handling

- Do not touch the playback side of the disc.
- Do not attach paper or tape to disc.



- Fingerprints and dust on the disc cause picture and sound deterioration. Wipe the disc from the centre outwards with a soft cloth. Always keep the disc clean.



- If you cannot wipe off the dust with a soft cloth, wipe the disc lightly with a slightly moistened soft cloth and finish with a dry cloth.
- Do not use any type of solvent such as thinner, benzene, commercially available cleaners or antistatic spray for vinyl. It may damage the disc.
- Do not store discs in a place subject to direct sunlight or near heat source.
- Do not store discs in a place subject to moisture and dust such as a bathroom or near a humidifier.
- Store discs vertically in a case, stacking or placing object on discs outside or their case may cause warping.

IMPORTANT SAFETY INSTRUCTION

1. Read these Instructions.
2. Keep these Instructions.
3. Heed all warnings.
4. Follow all instructions.
5. Do not use this apparatus near water.
6. Clean only with a dry cloth.
7. Do not block any ventilation openings. Install in accordance with the manufacturer's instructions.
8. Do not install near any heat sources such as radiators, heat registers, stoves, or other apparatus (including amplifiers) that produce heat.
9. Do not defeat the safety purpose of the polarized or grounding - type plug. A polarized plug has two blades with one wider than the other. A grounding type plug has two blades and a third grounding prong. The wide blade or the third prong are provided for your safety. When the provided plug does not fit into your outlet, consult an electrician for replacement of the obsolete outlet.
10. Protect the power cord from being walked on or pinched particularly at plugs, convenience receptacles, and the point where they exit from the apparatus.

11. Only use attachments/accessories specified by the manufacturer.

12. Use only with a cart, stand, tripod, bracket, or table specified by the manufacturer, or sold with the apparatus. When a cart is used, use caution when moving the cart/apparatus combination to avoid injury from tip-over.



The lightning flash with arrowhead symbol, within an equilateral triangle, is intended to alert the user to the presence of uninsulated “dangerous voltage” within the product’s enclosure that may be of sufficient magnitude to constitute a risk of electric shock to persons.

13. Unplug this apparatus during lightning storms or when unused for long periods of time.

14. Refer all servicing to qualified service personnel. Servicing is required when the apparatus has been damaged in any way, such as power-supply cord or plug is damaged, liquid has been spilled or objects have fallen into the apparatus, the apparatus has been exposed to rain or moisture, does not operate normally, or has been dropped.

Additional Warnings

- The apparatus shall not be exposed to dripping or splashing and that no objects filled with liquids, such as vases, shall be placed on apparatus.
- Main plug is used as disconnect device and it should remain readily operable during intended use. In order to disconnect the apparatus from the main completely, the main plug should be disconnected from the main socket outlet completely.
- Battery shall not be exposed to excessive heat such as sunshine, fire or the like.
- Caution marking is located at the rear or bottom of the apparatus.
- The marking information is located at the rear or bottom of apparatus.

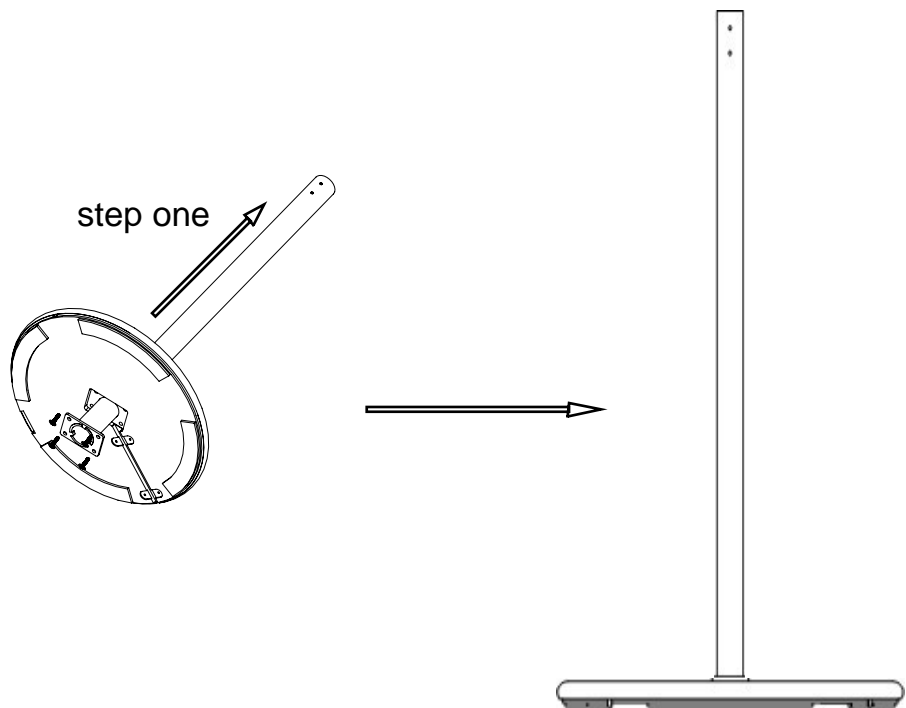


WARNING: TO REDUCE THE RISK OF ELECTRIC SHOCK, DO NOT REMOVE COVER (OR BACK). NO USER-SERVICEABLE PARTS INSIDE. REFER SERVICING TO QUALIFIED SERVICE PERSONNEL.



The exclamation point within an equilateral triangle is intended to alert the user to the (servicing) instructions in the literature accompanying the appliance, presence of important operating and maintenance

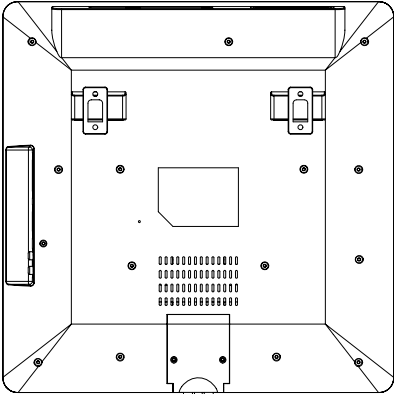
ASSEMBLING THE UNIT



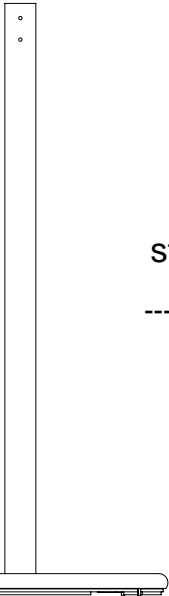
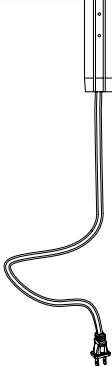
step one

---insert the pipe from the bottom of the stand and fix it with screws supplied

ASSEMBLING THE UNIT



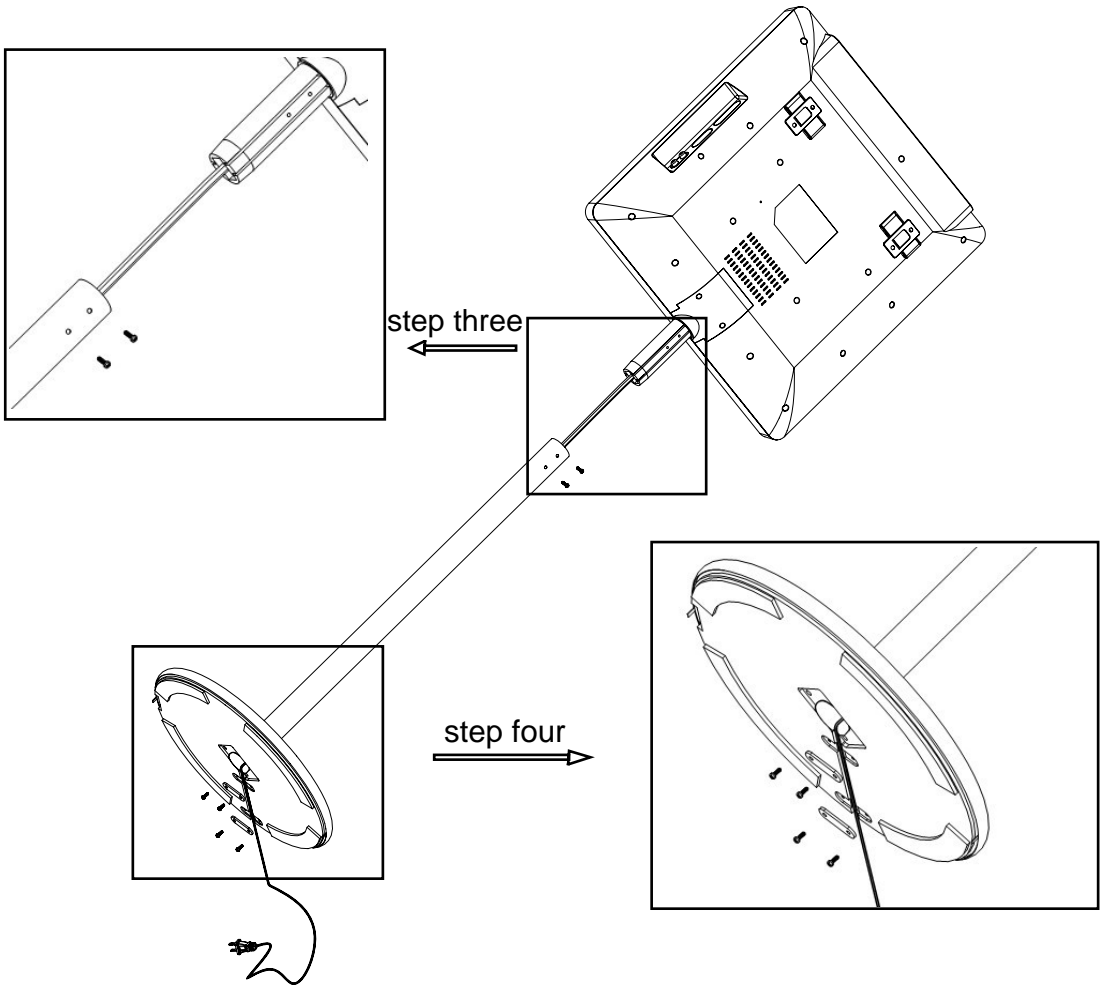
step two



step two

---Insert the wire into the steel pipe until out of the bottom of stand

ASSEMBLING THE UNIT



step three

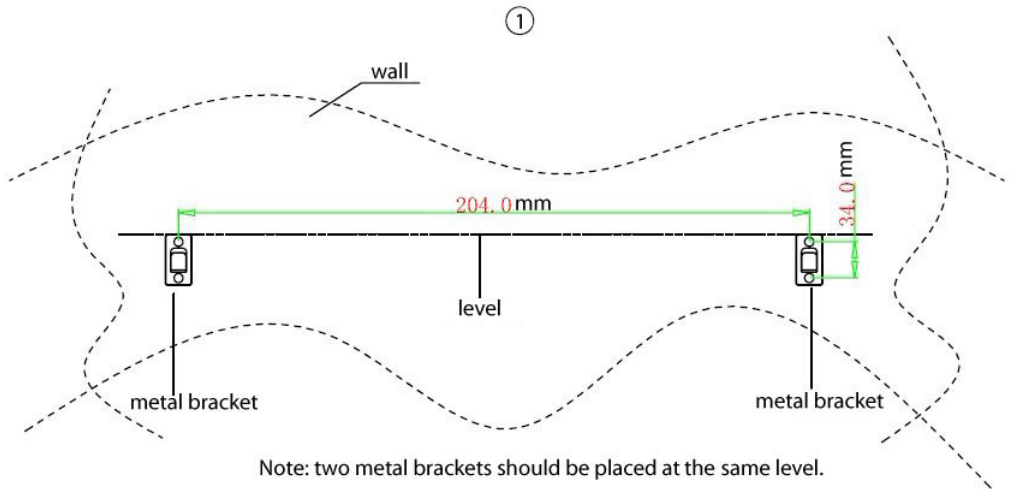
- insert the upper part of the unit into the steel pipe
- then use screw to fix two parts

step four

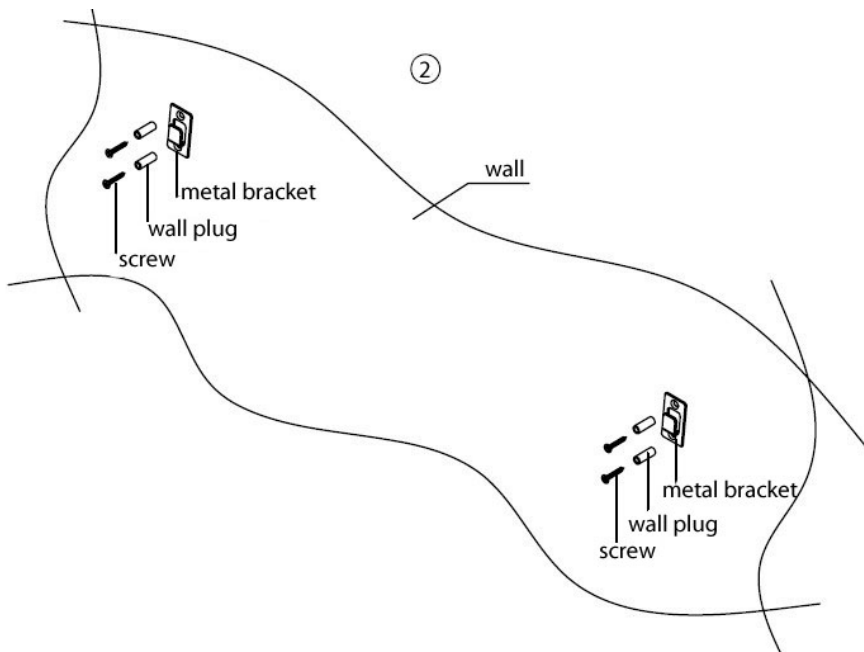
- pull wire straight
- use rubber brackets and screws to fix the wire to the bottom of the stand
- assembling is done

ASSEMBLING THE UNIT ON WALL

Step one: drilling holes according to the size in Fig 1

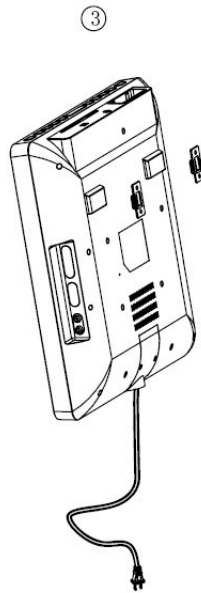


Step two: after drilling holes, insert the wall plug, fix the metal bracket on the wall with screw.

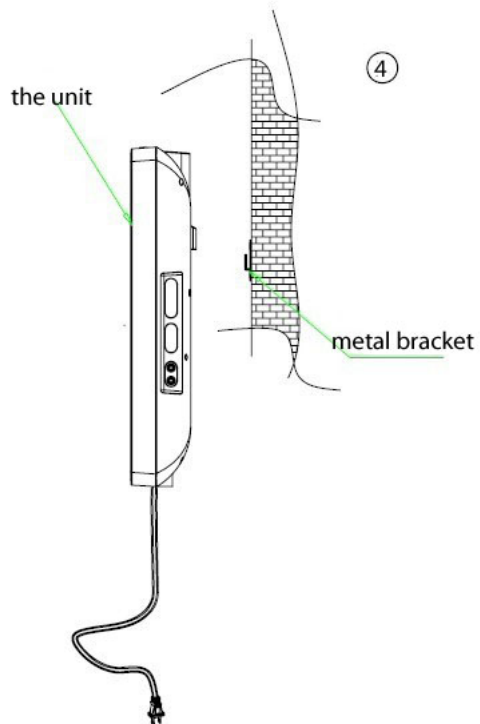


ASSEMBLING THE UNIT ON WALL

Step three: then fixing the bracket at the back of the unit.



Step four: after fixing the bracket at the back of the unit, hang the unit on the wall.



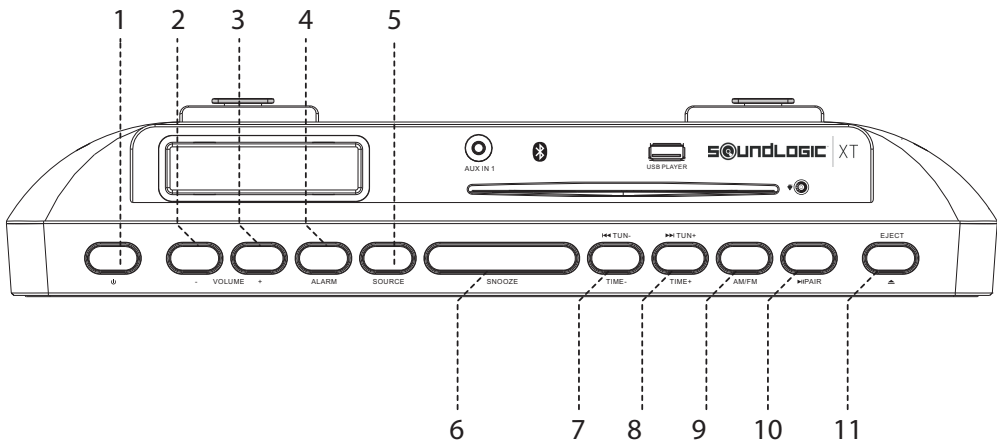
Functions & Controls

Please familiarize yourself with the parts and accessories listed below

Accessories included

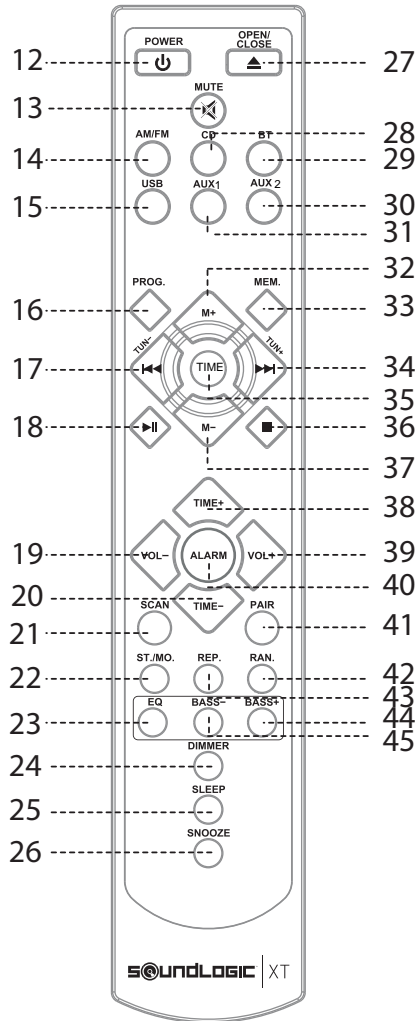
- 1 x Instruction manual
- 1 x RCA cable
- 1 x AUX IN cable with 3.5mm stereo plug
- Wall mount brackets and screws
- 1 x Remote control (with battery)

Overview of controls



1. Power standby
2. Volume down
3. Volume up
4. Alarm
5. Source display
6. Snooze

7. ◀◀[Tune down/ previous] / time -
8. ▶▶[Tune up/ next] / time +
9. AM/FM Radio
10. ▶|| [Play/ pause] /Pair button/Time set
11. Disc eject



- | | | |
|-----------------------------|--------------------------------|-------------------------|
| 12. Power standby | 23. EQ | 35. Time |
| 13. Mute | 24. Dimmer | 36. ■ Stop |
| 14. AM/FM | 25. Sleep | 37. Radio preset recall |
| 15. USB source | 26. Snooze | 38. Time + button |
| 16. Program | 27. Disc eject | 39. Volume up |
| 17. ◀◀[Tune down/ previous] | 28. CD source | 40. Alarm |
| 18. ▶▶ Play/ pause | 29. Bluetooth | 41. Bluetooth pairing |
| 19. Volume down | 30. AUX2 source button | 42. Random |
| 20. Time - | 31. AUX1 source | 43. Repeat |
| 21. AM/FM scan | 32. Radio preset recall | 44. Bass up |
| 22. ST/MO[Stereo / mono] | 33. Memory | 45. Bass down |
| | 34. ▶▶[Tune up/ next]/ time + | |

User Instructions

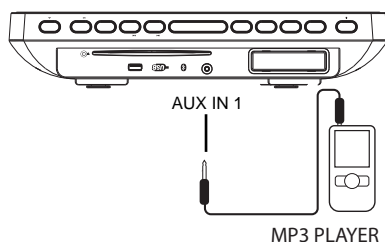
Making the connections

AUX AUDIO CONNECTION

Using a 3.5mm audio cable (supplied), it is possible to connect an external audio device EG:- MP3 player to the unit.

NOTE: This function requires the **AUDIO CONNECTION** to be made to an external amplifier. This will **NOT** work connected to a TV input.

1. Connect a 3.5mm cable into the AUX IN 1 input socket on the control panel.
2. Connect the other end to your audio devices headphone output or Line-out.

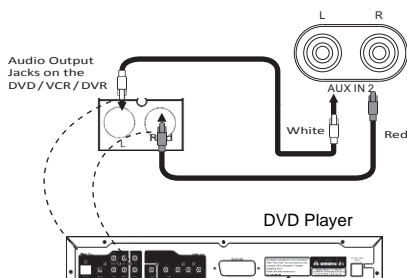


3. Press the **SOURCE** button until AUX IN 1 appears on the display.
4. Press **PLAY** on the external audio source EG:- MP3 player.

NOTE: The audio output level is effected by the volume on the source EG: MP3 player so make sure that is set to about 70-80% (not too loud to avoid distortion).

5. Adjust the **VOLUME** control on the amplifier to set the main volume level.

Using a RCA audio cable (supplied), it is possible to connect an external device EG:- DVD player / VCR to the unit.



1. Connect the AV cable to the Audio Output Jacks (White Jack=L, Red Jack=R) on DVD player and Audio Input Jacks on the rear of the unit.

NOTE:

A TV can also be connected to watch video files in the DVD player/VCR/DVR and etc.

2. Press **SOURCE** button until AUX 2 appears on the display.
3. Activate the external device.

General operation

Time setting

1. Place the unit into Standby mode.
2. Hold **TIME** button on the remote control to start the time setting. Then "12Hr" or "24Hr" will appear on screen and the hour digit will flash.
3. Press **TIME +/-** button to set 12h or 24h. Then press **TIME** button to confirm.
4. Press **TIME +/-** to set hour and press "TIME" to confirm and minute digit will flash..
5. Press **TIME +/-** to set minute digit. Press "TIME" to confirm.

Alarm setting

1. Place the unit into Standby mode.
2. Hold **ALARM** button on the remote control to activate the alarm setting.
3. Press **TIME+** and **TIME-** button to adjust the hour and the minute. Then press **ALARM** button to confirm.
4. Press **TIME+** or **TIME-** button to select the alarm rings as FM ("F") or buzzer("b"). Then press **ALARM** button to confirm.
5. Press "TIME +/-" to set alarm volume level.

Snooze

When the alarm rings, press **Snooze** button to turn off the ring and 9 minutes later, the alarm will ring again.

Sleep timer

During playback, press **SLEEP** button repeatedly to set the playback duration and after the time reaches, the unit will automatically turn itself off. The duration ranges from 10-90 minutes.

Dimmer

Press **DIMMER** button to adjust the display brightness.

FM/AM operation

1. Press **AM/FM** until radio FM or AM appears on the display.
2. Press the **AM/FM** button to switch between AM and FM.
3. Hold **TUNE+** and **TUNE-** button search for the stations. When a station is found, the unit will stop and start playing.
4. Press **MEM** button, then PX will appear on the display. Press **M+** or **M-** button to select the place you want the station to be stored. Then press **MEM** button again to store.
5. Press **M+** or **M-** button to listen to the preset stations.

NOTE:

- Press **SCAN** button on the remote control to search and store the stations automatically.
- The radio will automatically receive FM radio broadcasts in stereo (when available). Alternatively, you can manually set the radio to mono mode by pressing ST/MO button on remote control. the signal strength is low, and background noise level is high.

BT operation

Pairing and Connecting

1. Press **BT** button until bt appears on the display after a beep sound, the unit will start to search for the last connected device if it is found. If it is not found, the unit will search for other devices.
2. Activate the Bluetooth connection on the external device.
3. When "SOUNDLOGIC DES" appears on the list, choose to pair with it.
4. bt on the display will be solid light, when connection is established.

NOTE: Enter 0000 when asked for a password during connecting.

5. Hold **PAIR** button on the control panel or press **PAIR** button on the remote control to disconnect

During Playing

-Press **◀◀** and **▶▶** button to skip to the previous or next track.

-Press **⏸** button to pause the playback, press again to resume the playback.

NOTE: **⏸** **◀◀** **▶▶** buttons may not work with all the Bluetooth sources.

CD/MP3 disc operation

1. Press **CD** button until CD appears on the display.
2. Load the disc, it will play automatically.
3. Press **▲** button to eject disc when finished.

During Playing

-Press **◀◀** and **▶▶** button to skip to the previous or next track.

-Press **⏸** button to pause the playback, press again to resume the playback.

-Press **■** button to stop the playback

-Press **RAN** button to turn on or enter or exit the random playing.

-Press **REP** button to perform the repeat playback.

-Press **PROG** button to play the contents in the pre-selected order.

Programme procedure

1. During CD/MP3 playing, press **STOP**, then press **PROG**, "PRO" will display on screen.

2. Press **PREV/NEXT** to select the track needed to programme, at the same time, the selected tracks display on screen, then press **PROG** to confirm.

Note: If do not press **PREV/NEXT** to select track at this time, programming function will automatically exit after 20 seconds, the character disappear.

3. If continuing to add tracks, repeat number 2 operation.

4. To complete programming, press **PLAY** to start playing the programmed tracks. Press **STOP** twice to cancel programming.

USB operation

1. Press the **USB** button until USB appears on the display.
2. Insert the USB device into the USB port. Then it will start playing.

During Playing

-Press **◀◀** and **▶▶** button to skip to the previous or next track.

-Press **⏸** button to pause playing, press again to resume the play.

-Press **■** button to stop the play, Press again to resume.

Care & Maintenance



Important: Always unplug the appliance from the power socket during cleaning and maintenance.

- Never use any sharp instruments or abrasive substances, soap, household cleaner, detergent or wax polish for cleaning.
- Clean the external surfaces with a damp soft cloth only. Never use abrasive products or solvents as it may damage the appliance.

Troubleshooting

Problem	Reason(s)	Solution(s)
No Power	<ul style="list-style-type: none"> • Power cable not connected to wall socket • Standby mode active 	<ul style="list-style-type: none"> • Make sure the plug is connected • Press the STANDBY button to wake the unit
Disc will not play	<ul style="list-style-type: none"> • Disc not inserted correctly • Defective disc • Moisture on disc • Non standard disc • Lens is dirty • The unit requires resetting 	<ul style="list-style-type: none"> • Remove and re-load the disc with the label facing upwards • Try another disc • Wipe, clean and try again • Use a disc bearing the standard logo • Use a CD lens cleaner • Disconnect from the mains power for 30 seconds, and re-connect and try again.
No sound	<ul style="list-style-type: none"> • Volume control set to minimum • Defective disc • Audio connections not correct 	<ul style="list-style-type: none"> • Increase the volume level • Try another disc • Check the Audio connections to the TV or AMP
Disc playing error	<ul style="list-style-type: none"> • Defective disc 	<ul style="list-style-type: none"> • Try another disc
Remote not working	<ul style="list-style-type: none"> • Battery is exhausted 	<ul style="list-style-type: none"> • Replace the battery with two new 2 x AAA batteries

Technical Specifications

General	
Power source	AC 120V~60Hz
Audio output	30W
BT working range	32 feet
AUX input	Ø 3.5mm stereo headphone jack
USB File system USB max capacity	FAT 16 / FAT 32 32GB
FM coverage AM coverage	87.5 - 108 MHz 520 - 1710 KHz

FCC Statement

This equipment has been tested and found to comply with the limits for a Class B digital device, pursuant to Part 15 of the FCC Rules. These limits are designed to provide reasonable protection against harmful interference in a residential installation. This equipment generates, uses and can radiate radio frequency energy and, if not installed and used in accordance with the instructions, may cause harmful interference to radio communications. However, there is no guarantee that interference will not occur in a particular installation. If this equipment does cause harmful interference to radio or television reception, which can be determined by turning the equipment off and on, the user is encouraged to try to correct the interference by one or more of the following measures:

- Reorient or relocate the receiving antenna.
- Increase the separation between the equipment and receiver.
- Connect the equipment into an outlet on a circuit different from that to which the receiver is connected.
- Consult the dealer or an experienced radio/TV technician for help.

This device complies with part 15 of the FCC Rules. Operation is subject to the following two conditions:

- (1) This device may not cause harmful interference, and (2) this device must accept any interference received, including interference that may cause undesired operation.

The antenna(s) used for this transmitter must be installed to provide a separation distance of at least 20 cm from all persons and must not be co-located or operating in conjunction with any other antenna or transmitter.

LIMITED WARRANTY

This manufacturer's product warranty extends to the original consumer purchaser of the product. Neither the retailer nor any other company involved in the sale or promotion of this product is a co-warrantor of this manufacturer warranty.

WARRANTY DURATION:

This product is warranted against defective materials or workmanship. This warranty is void if the product has been damaged by accident, in shipment, unreasonable use, misuse, neglect, improper service, commercial use, repairs by unauthorized personnel or other causes not arising out of the defects in material or workmanship. This warranty does not cover the following which may be supplied with this product, including but not limited to ;LCD Screens, glass parts, lenses, etc. This warranty is effective only if the product is purchased and operated in USA, and does not extend to any unit which have been used in violation of written instructions furnished by manufacturer or to units have been altered or modified or, to damaged products or parts thereof which have had the serial number removed, altered, defaced or rendered illegible.

WARRANTY DISCLAIMERS:

This warranty is in lieu of all warranties expressed or implied and no representative or person is authorized to assume for manufacturer any other liability in connection with the sale of our products. There shall be no claims for defects or failure under any theory or tort, contractor commercial law including but not limited to, negligence, gross negligence, strict liability, breach of warranty and breach of contract.

WARRANTY PERFORMANCE:

During the above 90 day warranty period, a product with a defect will be repaired or replaced with a reconditioned comparable model (at manufacturer's option). The repaired or replacement product will be in warranty for the balance of the 90 day warranty period and an additional one-month period. No change will be applicable for such repair or replacement.

SERVICE AND REPAIR:

If service is required for this product, you should first contact Midwest Trading Group Customer Service at info@mtradinggroup.com or by calling 1(866)851-4714, Monday to Friday 9am to 5pm CST.

NOTE:

Manufacturer can not assume responsibility for loss or damage during incoming shipment. As a precautionary measure, carefully package the product for shipment and insure it with the carrier. Be sure to enclose the following details with the product: your full name, return address and daytime phone number, a note describing the problem you experienced, a copy of your sales receipt or other proof of purchase to determine warranty status. C.O.D. shipments can not be accepted.