



onn™

10 INCH BLUETOOTH  
PORTABLE BUNDLE

BC MODEL:ONA17AV048

---

PRODUCT GUIDE

# IMPORTANT SAFETY INSTRUCTIONS



**CAUTION**  
RISK OF ELECTRIC SHOCK  
DO NOT OPEN



**CAUTION:** TO REDUCE THE RISK OF ELECTRIC SHOCK, DO NOT REMOVE COVER (OR BACK). NO USER-SERVICEABLE PARTS INSIDE. REFER SERVICING TO QUALIFIED SERVICE PERSONNEL.



The lightning flash with arrowhead symbol within an equilateral triangle is intended to alert the user to the presence of uninsulated dangerous voltage within the product's enclosure that may be of sufficient magnitude to constitute a risk of electric shock to persons.



The exclamation point within an equilateral triangle is intended to alert the user to the presence of important operating and maintenance(servicing) instructions in the literature accompanying the appliance.



**DANGER:**  
Invisible and hazardous laser radiation when open and interlock failed or defeated. Avoid direct exposure to beam.

## **CAUTION:**

THIS DIGITAL VIDEO DISC PLAYER EMPLOYS A LASER SYSTEM.

TO ENSURE PROPER USE OF THIS PRODUCT.

PLEASE READ THIS OWNER'S MANUAL CAREFULLY AND RETAIN FOR FUTURE REFERENCE. SHOULD THE UNIT REQUIRE MAINTENANCE, CONTACT AN AUTHORIZED SERVICE LOCATION-SEE SERVICE PROCEDURE.

USE CONTROLS, ADJUSTMENTS OR THE PERFORMANCE OF PROCEDURES OTHER THAN THOSE SPECIFIED HEREIN MAY RESULT IN HAZARDOUS RADIATION EXPOSURE.

TO PREVENT DIRECT EXPOSURE TO LASER BEAM, DO NOT TRY TO OPEN THE ENCLOSURE. VISIBLE LASER RADIATION MAY BE PRESENT WHEN THE ENCLOSURE IS OPENED. DO NOT STARE INTO BEAM.

## **WARNING:**

TO REDUCE THE RISK OF FIRE OR ELECTRIC SHOCK, DO NOT EXPOSE THIS PRODUCT TO RAIN OR MOISTURE.

## **WARNING:**

TO REDUCE THE RISK OF FIRE OR ELECTRIC SHOCK, AND ANNOYING INTERFERENCE, USE THE RECOMMENDED ACCESSORIES ONLY.

## **SURGE PROTECTORS:**

It is recommended to use a surge protector for AC connection. Lightning and power surges ARE NOT covered under warranty for this product.

## **FCC NOTICE:**

Warning:Changes or modifications to this unit not expressly approved by the party responsible for compliance could void the user's authority to operate the equipment."

This equipment has been tested and found to comply with the limits for a Class B digital device, pursuant to part 15 of the FCC Rules. These limits are designed to provide reasonable protection against harmful interference in a residential installation. This equipment generates, uses and can radiate radio frequency energy and, if not installed and used in accordance with the instructions, may cause harmful interference to radio communications.

However, there is no guarantee that interference will not occur in a particular installation. If this equipment does cause harmful interference to radio or television reception, which can be determined by turning the equipment off and on, the user is encouraged to try to correct the interference by one or more of the following measures:

- Reorient or relocate the receiving antenna. Increase the separation between the equipment and receiver.
- Increase the separation between the equipment and receiver.
- Connect the equipment into an outlet on a circuit different from that to which the receiver is connected.
- Consult the dealer or an experienced radio/TV technician for help.

# IMPORTANT SAFETY INSTRUCTIONS

## **WARNING**

USE UNDER SUPERVISION OF AN ADULT  
DUE TO LONG CORD

This unit has a long AC cord or other long cord that can easily be tripped on or pulled on, causing injury. Please make sure it is arranged so it will not drape over a tabletop, etc. Where it can be pulled on by children or tripped over accidentally.

EXERCISE CAUTION AS UNIT HAS SHARP POINTS.

Before using the unit, be sure to read all operating instructions carefully. Please note that these are general precautions and may not pertain to your unit.

### **1 ) Read these instructions.**

All the safety and operating instructions should be read before the product is operated.

### **2 ) Keep these instructions.**

The safety and operating instructions should be retained for future reference.

### **3 ) Heed all warnings.**

All warnings on the product and in the operating instructions should be adhered to.

### **4 ) Follow all instructions.**

All operating and use instructions should be followed.

### **5 ) Do not use this apparatus near water.**

Do not use this product near water and moisture, for example: near a bathtub, washbowl, kitchen sink or laundry tub; in a wet basement; or near a swimming pool.

### **6 ) Clean only with dry cloth.**

Unplug this product from the wall outlet before cleaning. Do not use liquid cleaners or aerosol cleaners. Use a dry cloth for cleaning.

### **7) Do not block any ventilation openings. Install in accordance with the manufacturer's instructions.**

Slots and openings in the cabinet and in the back or bottom are provided for ventilation, to ensure reliable operation of the product and to protect it from overheating. These openings must not be blocked or covered. The openings should never be blocked by placing the product on a bed, sofa, rug or other similar surface. This product should never be placed near or over a radiator or heat source. This product should not be placed in a built-in installation such as a bookcase or rack unless proper ventilation is provided or the manufacturer's instructions have been adhered to.

**8 )** Do not install near any heat sources such as radiators, heat registers, stoves, or other apparatus(including amplifiers) that produce heat.

**9 )** Do not defeat the safety purpose of the polarized or grounding-type plug. A polarized plug has two blades with one wider than the other. A grounding type plug has two blades and a third grounding prong. The wide blade or the third prong are provided for your safety. If the provided plug does not fit into your outlet, consult an electrician for replacement of the obsolete outlet.

**10 )** Protect the power cord from being walked on or pinched particularly at plugs, convenience receptacles, and the point where they exit from the apparatus.

**11 )** Only use attachments/accessories specified by the manufacturer.

**12 )** Use only with the cart, stand, tripod, bracket, or table specified by the manufacturer, or sold with the apparatus. When a cart is used, use caution when moving the cart/apparatus combination to avoid injury from tip-over.

An appliance and cart combination should be



# IMPORTANT SAFETY INSTRUCTIONS

moved with care.

Quick stop, excessive force and uneven surfaces may cause the appliance and cart combination to overturn.

## 13 ) Unplug this apparatus during lightning storms or when unused for long periods of time.

To protect your product from a lightning storm, or when it is left unattended and unused for long periods of time, unplug it from the wall outlet and disconnect the antenna or cable system.

This will prevent damage to the product due to lightning and power-line surges.

## 14 ) Refer all servicing to qualified service personnel. Servicing is required when the apparatus

has been damaged in any way, such as power-supply cord or plug is damaged, liquid has been spilled or objects have fallen into the apparatus, the apparatus has been exposed to rain or moisture does not operate normally, or has been dropped.

## 15 ) Power source.

This product should be operated only from the type of power source indicated on the marking label.

If you are not sure of the type of power supply to your home, consult your appliance dealer or local power company. For products intended to operate from battery power, or other source, refer to the operation instructions.

## 16 ) Power lines

An outside antenna system should not be located in the vicinity of overhead power lines or other electric light or power circuits, or where it can fall into such power lines or circuits.

When installing an outside antenna system, extreme care should be taken to keep from touching such power lines or circuits as contact with them might be fatal.

## 17 ) Overloading

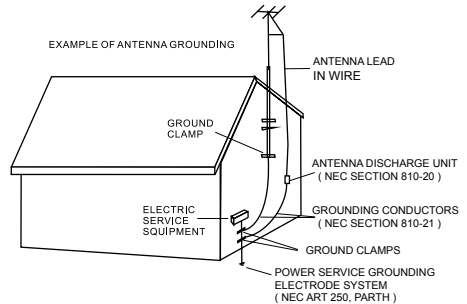
Do not overload wall outlets and extension cords as this can result in a risk of fire or electric shock.

## 18 ) Object and liquid entry

Never push objects of any kind into the product through openings as they may touch dangerous voltage points or short out parts that could result in fire or electric shock. Never spill or spray any type of liquid on the product.

## 19 ) Outdoor antenna grounding

If an outside antenna is connected to the product, be sure the antenna system is grounded so as to Provide some protection against voltage surges and built up static charges. Section 810 of the National Electric Code ANSI/NFPA 70 provides information with respect to proper to grounding of the mast and supporting structure, grounding of the lead-in wire to an antenna discharge product, size of grounding conductors, location of antenna-discharge product, connection to grounding electrodes and requirements for the grounding electrodes.



## 20 ) Service

Do not attempt to service this product yourself as opening or removing covers may expose you to dangerous voltage or other hazards. Refer all servicing to qualified service personnel.

## 21 ) Replacement parts

When replacement parts are required, be sure the service technician uses replacement parts specified by the manufacturer or those that have the same characteristics as the original parts.

Unauthorized substitutions may result in fire or electric shock or other hazards.

## 22 ) Safety check

Upon completion of any service or repairs

# IMPORTANT SAFETY INSTRUCTIONS

to this product, ask the service technician to perform safety checks to determine that the product is in proper operational condition.

## 23 ) Wall or ceiling mounting

The product should be mounted to a wall or ceiling only as recommended by the manufacturer.

## 24 ) Damage requiring service

Unplug this product from the wall outlet and refer service to qualified service personnel under the following conditions.

- a ) When the power-supply cord or plug is damaged.
- b ) If liquid has been spilled or objects have fallen into the product.
- c ) If the product has been exposed to rain or water.
- d ) If the product does not operate normally by following the operating instructions. Adjust only those controls that are covered by the operating instructions, as an adjustment of other controls may result in damage and will require extensive work by a qualified technician to restore in the product to its normal operation.
- e ) If the product has been dropped or the cabinet has been damaged.
- f ) When the product exhibits a distinct change in performance-this indicates a need for service.

## 25 ) Note to CATV system installer

This reminder is provided to call the CATV system installer's attention to Article 820-40 of the NEC that provides guidelines for proper grounding and, in particular, specifies that the cable ground shall be connected to the grounding system of the building, as close to the point of cable entry as practical.

NOTE: Refer all servicing to qualified service personnel. Servicing is required when the unit has been damaged in any way such as the following: the power-supply cord or plug has been damaged, liquid has been spilled into unit, the unit has been exposed to rain or moisture, the unit has been dropped or the unit does not operate normally.

## NOTES ON HANDLING:

- When shipping the unit, always use the original shipping carton and packing materials. For maximum protection, repack the unit as it was originally packed at the factory.
- Do not use volatile liquids, such as insect spray, near the unit. Do not leave rubber or plastic products in contact with the unit for a long time. They will leave marks on the finish.
- The top and rear panels of the unit may become warm after a long period of use. This is normal and not a malfunction.
- When the DVD player is not in use, be sure to remove the disc and turn off the power.

## NOTES ON LOCATING THE DVD PLAYER:

When you place this unit near a TV, radio or VCR, the playback picture may become poor and the sound may be distorted. In this case, move the unit away from the TV, radio or VCR.

## NOTES ON CLEANING:

### Use a soft, dry cloth for cleaning

- For stubborn dirt, soak the cloth in a weak detergent solution, wring well and wipe. Use a dry cloth to wipe it dry. Do not use any type of solvent, such as thinner and benzene, as they may damage the surface of the unit.
- If you use a chemical-saturated cloth to clean the unit, follow that product's instructions.

**Warning:** Cleaning and adjustment of lenses and /or other components of playback mechanism should be performed by a qualified service technician.

## NOTES ON MOISTURE CONDENSATION:

**Moisture condensation damages the DVD player.**

**Please read the following carefully.**

- Moisture condensation occurs, for example, when you pour a cold drink into a glass on a warm day. Drops of water form on the outside

# IMPORTANT SAFETY INSTRUCTIONS

of the glass. In the same way, moisture may condense on the optical pick-up lens inside this unit, one of the most crucial internal parts of the DVD player.

**Moisture condensation occurs during the following cases:**

- When you bring the DVD player directly from a cold place to a warm place.
- When you use the DVD player in a room where you just turned on the heater, or a place where the cold wind from the air conditioner directly hits the unit.
- In summer, when you use the DVD player in a hot and humid place just after you moved the unit from an air conditioned room.
- When you use the DVD player in a humid place.

**Do not use the DVD player when moisture condensation may occur.**

- If you use the DVD player in such a situation, it may damage discs and internal parts. Remove the disc, connect the AC/DC Adaptor to the DVD player and the wall outlet, turn on the DVD player and leave it ON for two or three hours. After two or three hours, the DVD player will have warmed up and evaporated any moisture.

# ABOUT DISCS

The region number for this DVD Player is: 1  
See the following page for information regarding region numbers.



## PLAYABLE DISCS:

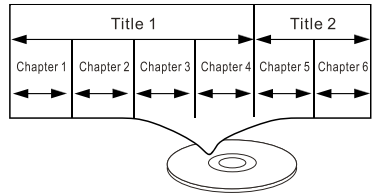
The following discs can be played back on this DVD player:



## DISC TYPES:

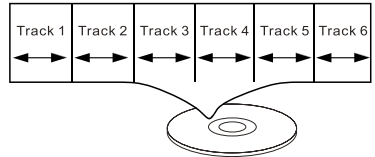
### DVD

Data on most DVDs is divided into sections called titles and then into subsections called chapters, each of which is given a title or chapter number. Some features of this DVD player will not operate with some DVD discs as they are preset. If a function you selected does not run as desired, refer to the manual accompanying the DVD disc.



### AUDIO CD

Data on an audio CD is divided into sections called tracks, each of which is given a track number.



## IMPORTANT:

It is important that you read the manual that accompanies the DVD disc, as there are features that are on the DVD player that cannot be used with certain DVDs.

There are also extra features on the DVD disc that are different for each DVD disc, so they are not explained in this owner's manual.

This player conforms to the NTSC and PAL color systems. However, if you are in the USA, Canada or Mexico, leave this setting on NTSC. If incorrectly set to PAL, the TV picture may roll vertically. In this case, set the TV system to NTSC.

## Notes on Copyright:

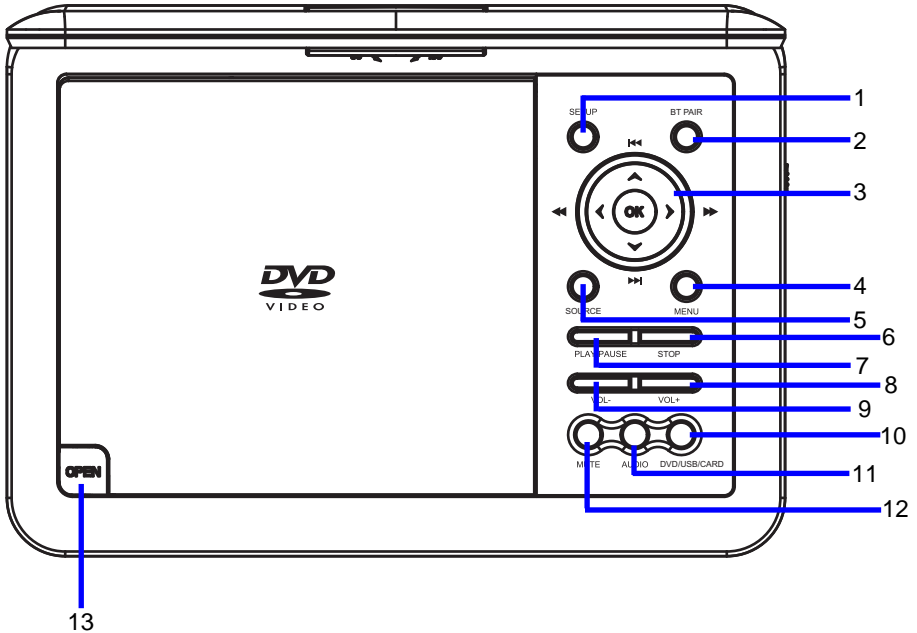
It is forbidden by law to copy, broadcast, show, broadcast on cable, play in public and rent copyrighted material without permission. DVD video discs are copy protected, and any recordings made from these discs will be distorted. This product incorporates copyright protection technology that is protected by method claims of certain U.S. Patents and other intellectual property rights owned by Macrovision

Macrovision Corporation, and is intended for home and other limited viewing uses only, unless otherwise authorized by Macrovision Corporation. Reverse engineering or disassembly is prohibited.

## Region Management Information:

This DVD Player is designed and manufactured to respond to the Region Management Information that is recorded on a DVD disc. If the Region number described on the DVD disc does not correspond to the Region number of this DVD player, this DVD player cannot play that disc. You may not be able to play back some DVD video discs on this player if they were purchased from outside your geographic area or made for business purposes. When you try to play back an unauthorized disc, Wrong Region appears on the TV screen.

# LOCATION OF CONTROLS

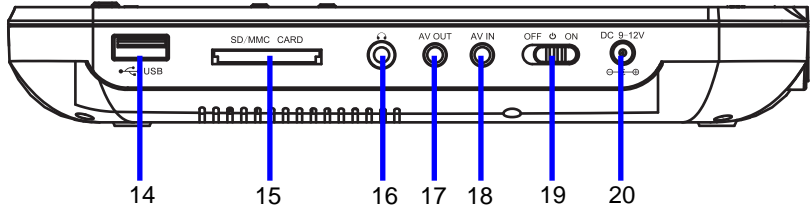


1. SETUP Button: Press to enter SETUP system, press again to exit.
2. BT PAIR Button: Press to disconnect the connection with headphone.
3. • ◀◀ ▲ (Previous/Cursor Up)  
• ▶▶ ▼ (Next/Cursor Down)  
• ◀◀ ◀ (Fast backward/Cursor Left)  
• ▶▶ ▶ (Fast forward/Cursor Right)  
• OK Button: Press to confirm the operation.
4. MENU Button: Press to enter root menu playing(it depends on the disc recording).
5. SOURCE Button: Press to enter AV IN mode, press again to resume normal mode.
6. STOP Button: Press once to pre-stop, press again to fully stop.
7. PLAY/PAUSE Button: Press to start playing or pause.
8. VOL+ Button: Press to increase volume.
9. VOL- Button: Press to decrease volume.
10. DVD/USB/CARD Button: Press to display the sources(DVD, CARD, USB), using the direction button to select the desired source, and press OK button to confirm.
11. AUDIO Button: Press repeatedly to switch the audio mode.
12. MUTE Button: Press to turn off the sound, press again to resume.
13. OPEN Button: Press to open the disc cover.



# LOCATION OF CONTROLS

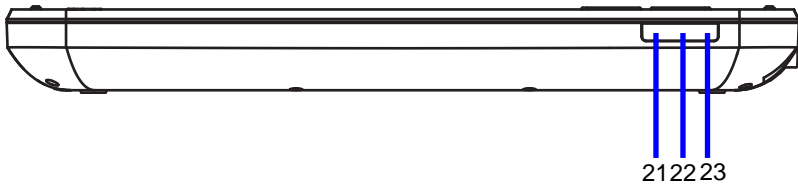
## Right Side View:



- 14. USB Port
- 15. SD/MMC CARD Slot
- 16. Headphone Jack
- 17. AV OUT Jack

- 18. AV IN Jack
- 19. Power ON/OFF Switch
- 20. DC IN Jack

## Front Side View:



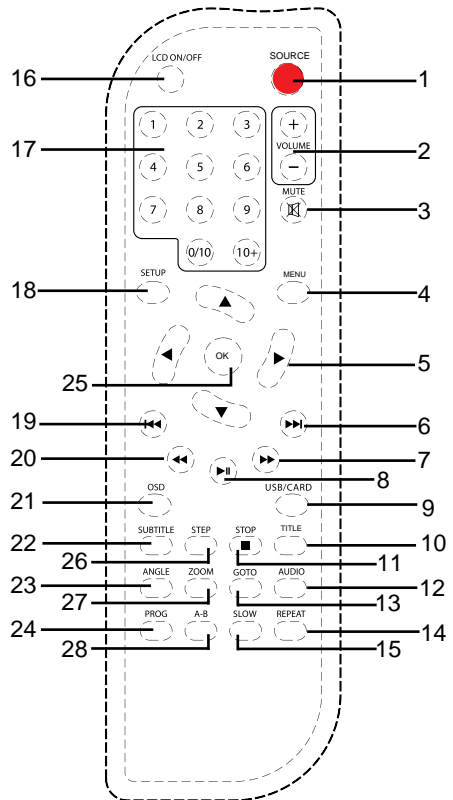
21. Charge Indicator

22. Remote Sensor

23. Bluetooth/Power Indicator

# REMOTE CONTROL

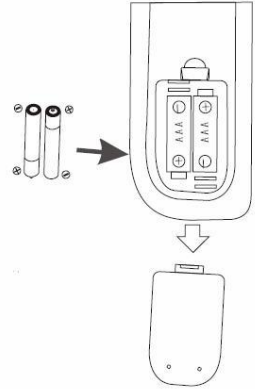
1. SOURCE Button
2. VOLUME +/- Buttons
3. MUTE Button
4. MENU Button
5. Direction ◀▶▼▲ Buttons
6. ▶▶ Button
7. ▶▶ Button
8. ▶|| ( Play/Pause ) Button
9. USB/CARD Button
10. TITLE Button
11. ■ ( STOP ) Button
12. AUDIO Button
13. GOTO Button
14. REPEAT Button
15. SLOW Button
16. LCD ON/OFF Button
17. Numeric Buttons
18. SETUP Button
19. ◀◀ Button
20. ◀◀ Button
21. OSD (On Screen Display) Button
22. SUBTITLE Button
23. ANGLE Button
24. PROG (Program) Button
25. OK Button
26. STEP Button
27. ZOOM Button
28. A-B Repeat Button



# BATTERY INSTALLATION (REMOTE CONTROL)

## Battery installation:

1. Press the tab on the battery door and lift it off.
2. Install two (2) x AAA size batteries (not included) into the battery compartment as the figure on right and the polarity markings inside battery compartment.



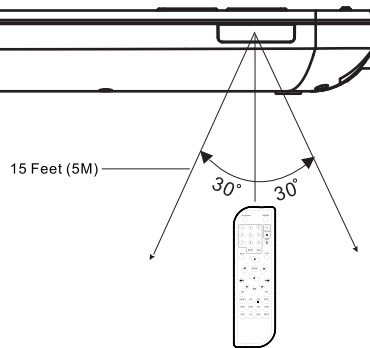
3. Replace the battery door.

## Battery Precautions:

Follow these precautions when using a battery in this device:

1. Use only the size and type of battery specified.
2. Be sure to follow the correct polarity when installing the battery as indicated in the battery compartment. A reversed battery may cause damage to the device.
3. Do not mix different types of batteries together (e.g. Alkaline and Carbon-zinc) or old batteries with fresh ones.
4. If the batteries in the device are consumed or the device is not to be used for a long period of time, remove the batteries to prevent damage or injury from possible battery leakage.
5. Do not try to recharge the battery not intended to be recharged; it can overheat and rupture. (Follow battery manufacturer's directions).
6. Do not dispose of battery in fire. Battery may explode or leak.
7. Clean the battery contacts and also those of the device prior to battery installation.

## Remote Control Sensor



## Remarks:

1. When there is an obstacle between the unit and the transmitter, the transmitter may not operate.
2. When direct sunlight, an incandescent lamp, fluorescent lamp or any other strong light shines on the remote control of the unit, the remote operation may be unstable.

# POWER SOURCE

The unit has a built-in DC  $\equiv$  7.4V Lithium-ion rechargeable battery. Recharge it as follows:

## Charging by the AC/DC Adaptor:

1. Connect the small plug from the supplied AC/DC Adaptor to the DC IN Jack on the right of unit.
2. Connect the AC/DC Adaptor to the wall outlet having AC 100-240V~; 50/60Hz.
3. During charging, the Charging Indicator will light up red. When finished, it will turn green.

**NB: The AC/DC Adaptor is intended to be correctly orientated in a vertical or floor mount position.**

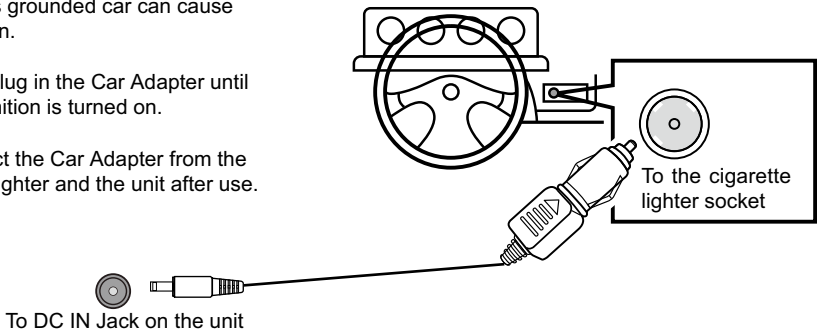
**NOTES:** Your battery will last longer if you follow these simple guidelines for caring for and storing it.

- A. Recharge and store the device within the temperature range of 5°C–35°C (40°F–95°F).
- B. Do not overcharge (longer than 24 hours). Excessive charging or discharging may shorten the battery's life.
- C. Battery life naturally shortens slowly over time.

## Charging by the car adaptor:

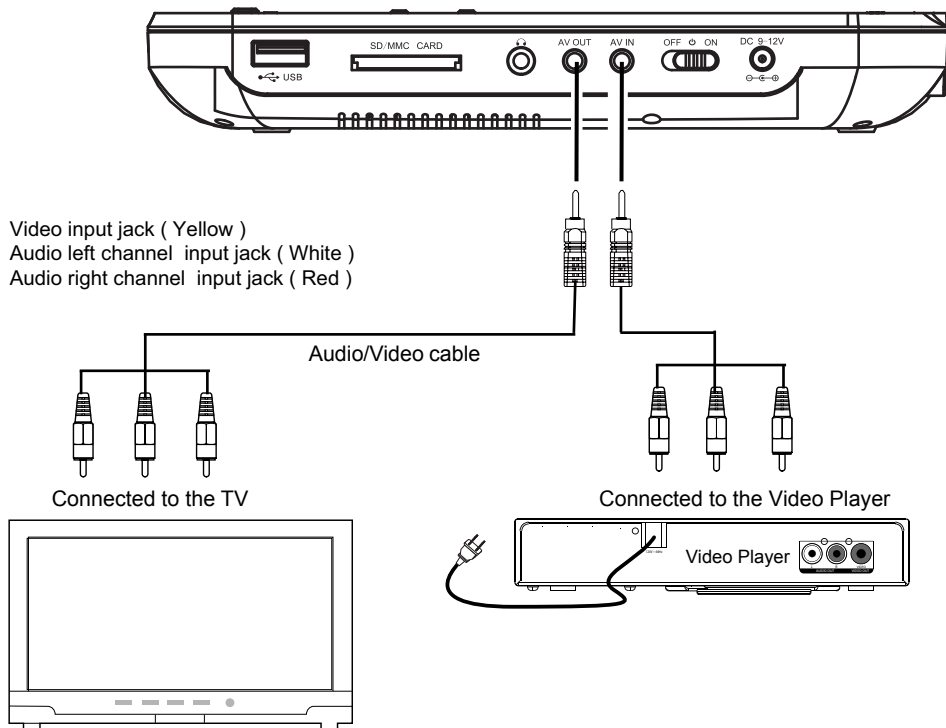
1. Connect to the cigarette lighter socket of a vehicle that has a 12V battery as the figure below.  
**It is NOT compatible with a vehicle that has a 24V battery.**

2. This is a special negative grounded Car Adapter. Using this Car Adapter with a plus grounded car can cause malfunction.
3. Do NOT plug in the Car Adapter until the car ignition is turned on.
4. Disconnect the Car Adapter from the cigarette lighter and the unit after use.



# CONNECTIONS

Connecting to a TV or Video Player such like DVD; VCR; DVR Players ... (AV connection cable not included)

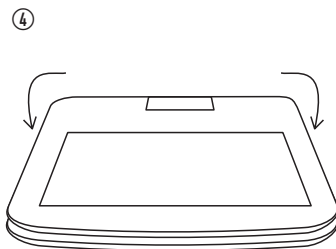
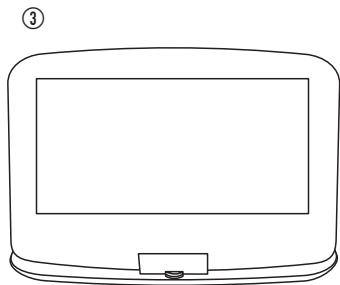
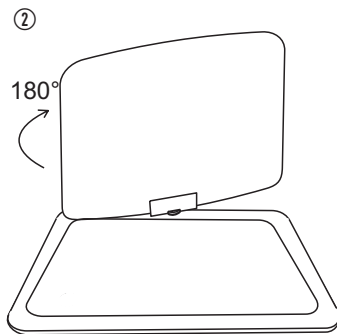
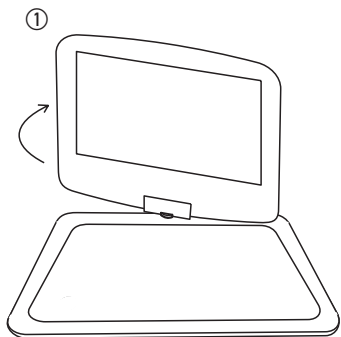


## NOTE:

- The default setting of the unit is AV Out, if connect to external Video Player (such like DVD; VCR; DVR Players ... ), press the SOURCE Button to set to AV IN mode ("AV IN" will appear on the screen). Press again to turn back to AV Out mode.
- The unit itself may not display when connecting through AV OUT jack.
- Using the supplied Headphone to listen privately.
  - Switch on the unit, the Bluetooth Indicator will blink.
  - Switch on the Headphone, it will connect with the unit automatically after a few seconds.
  - The Bluetooth Indicator will stay lit when pairing is successful.

# SWIVEL PANEL

The viewing angle of the swivel panel can be adjusted as follows:



# OPERATIONS

1. Lift up the panel and turn to desired angle. Slide the Power ON/OFF switch to "ON" position to power on the unit.
2. Press the OPEN button to open the disc cover. Place the disc on the center spindle with the label side facing up. Close the disc door and the player will start playback automatically.
3. During playback:
  - ~ Press the ►► or ◀◀ Buttons repeatedly to fast search for a specific section forward/backward.
  - Press ►| Button to resume normal playback.
  - ~ Press the ►► or ◀◀ Buttons repeatedly to skip to specific track.
  - ~ Press ►| Button to pause, press ►| Button again to resume normal playback.
  - ~ Press the VOL (Volume) +/- Buttons to adjust volume level.
  - ~ Press the STOP ■ Button to stop playback. The player will remember the point where disc was stopped.
  - When press the ►| Button again, playback will start from this point.
  - Press the STOP ■ Button again to fully stop, press the ►| Button to start playback from beginning.

## Repeat Playback: (DVD)

- During playback, press the REPEAT button once to Repeat Chapter, then the current chapter will playback repeatedly.
- Press the REPEAT button twice to Repeat Title, then the current Title will playback repeatedly.
- Press the REPEAT button the third time to Repeat All then all files will playback repeatedly.
- Press the REPEAT button repeated until the repeat mode cancelled to turn off repeat mode.

## Repeat Playback: (CD)

- During playback, press the REPEAT Button once to Repeat Track, then the current track will playback repeatedly.
- Press the REPEAT button twice to Repeat All then all files will playback repeatedly.
- Press the REPEAT button repeated until the repeat mode cancelled to turn off repeat mode.

## (CD/DVD)Program:

1. During CD or DVD playback, press the **PROG** ( Program ) button.
2. Using the Direction and Numeric Buttons to select and set the desired TT (Title), CH (Chapters), tracks (for CD) of the movie /music you wants. The Program menu will appear as follows.



### DVD

T	C	T	C	T	C	T	C
1	01:03	5	--:--	9	--:--	13	--:--
2	--:--	6	--:--	10	--:--	14	--:--
3	--:--	7	--:--	11	--:--	15	--:--
4	--:--	8	--:--	12	--:--	16	--:--

PLAY CLEAR

### CD

2/16

TRACK04

TRACK03

TRACK01


TRACK02

TRACK03

TRACK04

TRACK05

TRACK06

3. Using the Direction Button to select and highlight the "CLEAR" or  Button on the screen then press the OK Button to clear all the programmed items when there is wrong programming.
4. Using the Direction Button to select and highlight the "PLAY" or ► Button on the screen then press the OK Button to start program playback.

# OPERATIONS

## **LCD ON/OFF**

Press to turn on or off the LCD display.

## **SOURCE**

Press to turn to "AV IN" mode. Press again to resume.

## **VOL/Volume +/-**

Press to increase or decrease volume.

## **MUTE**

Press to turn off the sound, press again to resume.

## **MENU**

Press to return to disc's menu page (Function depends on the recording of the disc).

## **OSD (On Screen Display)**

During playback, press the OSD button repeatedly to read the information of playback status.

## **SUBTITLE**

During DVD playback, press repeatedly to select the desired subtitle (Function depends on the recording of disc).

## **STEP**

During movie playback, press STEP Button repeatedly to play the movie frame by frame.  
Press the ►|| Play/Pause Button to resume normal playback.

## **TITLE**

Press to return to disc's title page (Function depends on the recording of the disc).

## **ANGLE**

During DVD playback, press repeatedly to select the viewing angle (Function depends on the recording of disc).

## **ZOOM**

During movies playback, press the ZOOM Button repeatedly to zoom in/out the picture.

## **GOTO**

Press the GOTO Button, set the desired Title and Chapter and Time, press the OK button to confirm.

## **AUDIO**

During DVD playback, press repeatedly to select the audio mode. (Function depends on the recording of disc).

## **A-B Repeat**

During Playback, press the A-B Button to define where you want the section to start. Press the A-B Button again to define where you would like the section to end, the unit will then plays the selected section repeatedly and continuously. Press the A-B Button again to resume normal playback.  
(This function is not available on all discs).

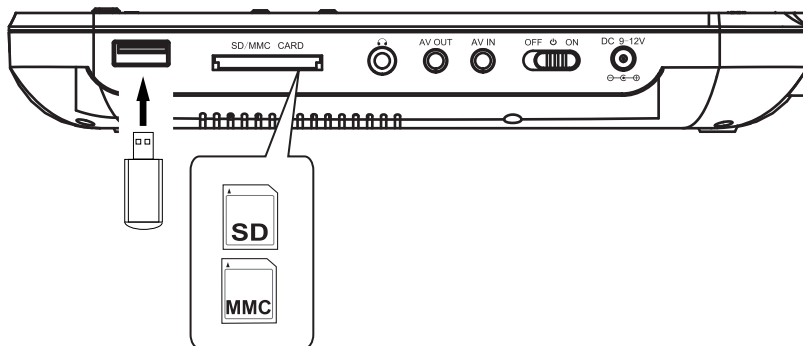
## **SLOW**

During playback, press the SLOW Button repeatedly to set the slow motion speed. Press ►|| Play/Pause Button to resume normal playback.



## USB or CARD PLAYBACK

1. Insert the USB Device or SD/MMC memory card into the USB port /card slot as the figure below.



NB: The unit supported to playback:

~ MP3; WMA (Music file)

~ JPG (Pictures)

Make sure correct files were saved in the USB device or memory cards.

2. Switch on the unit, press the USB/CARD Button on remote control or press the DVD/USB/CARD Button on the unit, the "DVD, CARD, USB" selection window will pop up on the screen. Using the Direction Buttons to select and highlight the desired source then press the OK Button to confirm to start playback.

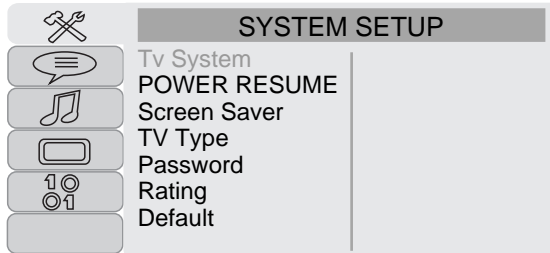
3. During playback:

~ Press the ►► or ◀◀ Button repeatedly to skip tracks.

~ Press the ►|| Button to pause. Press again to resume.

# SETUP

Press the SETUP Button, the setting menu will appear on the screen as below. During setting, using the Direction ◀, ▶, ▲, ▼ Buttons to select and highlight the function you need to set or reset. Press the OK Button to enter or confirm the selection. After setting, press the SETUP Button to save the settings and exit.



## SYSTEM SETUP:

1. If Tv System is selected, it can only be set to NTSC, PAL or AUTO to match the connected TV.
2. If POWER RESUME is selected, if set it On, the unit will start playback from the position where the disc was stopped last time.
3. If Screen Saver is selected, if set to On, the screen saver will come on when the unit idles or the image is paused for several minutes.
4. If TV type is selected, set the aspect ratio to match the connected TV.
5. If Password is selected, input the default password "0000" to unlock the rating.
6. If Rating is selected, the rating level will appear as below, set to the desired level as need.

(KID SAFE): Kid Safe

(G): All ages

(PG): Parental Guidance

(PG13): Parental Guidance less than 13 years old

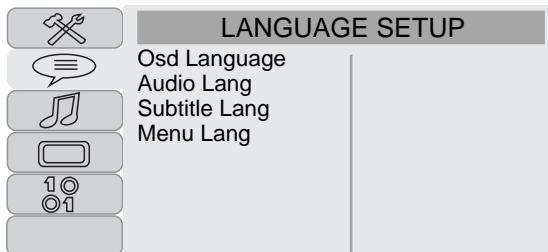
(PG-R): Under 17 years old, Parental Guidance suggested

(R): Under 17 years old, Parental Guidance strongly

(NC-17): 17 years old or above

(ADULT): Adult only

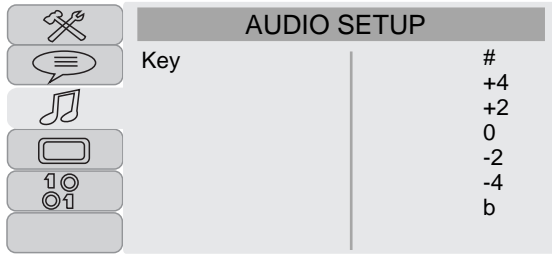
7. If Default is selected and set it to restore, all settings will be restored to factory setting.



## LANGUAGE SETUP:

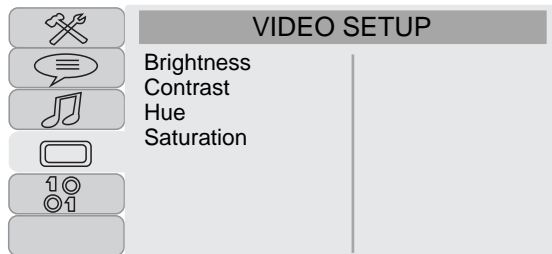
Select Osd language (on screen display), Audio Lang, Subtitle Lang or Menu Lang separately to set to desired language.

# SYSTEM SETUP

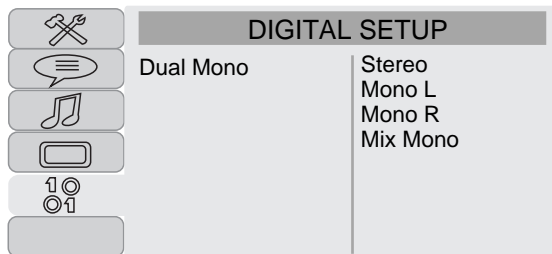


## AUDIO SETUP:

Select the audio setup to set the audio key level.



Select the video setup to set the panel quality such as brightness, contrast, hue and saturation.



## DIGITAL SETUP:

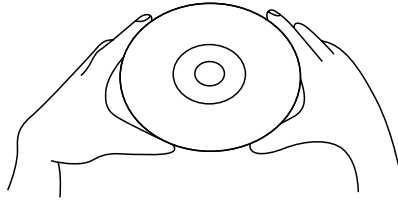
In digital setup menu, you can set to Stereo, Mono L, Mono R or Mix Mono.

# CARE AND MAINTENANCE

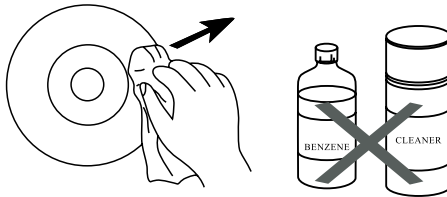
## Caring for Discs

Treat the disc carefully. Handle the disc only by its edges.

Never allow your fingers to contact with the shiny, unprinted side of the disc.



- Do not attach adhesive tape, stickers, etc. to the disc label.
- Clean the disc periodically with a soft, lint-free, dry cloth. Never use detergents or abrasive cleaners to clean the disc. If necessary, use a CD cleaning kit.
- If a disc skips or gets stuck on a section of the disc, it is probably dirty or damaged (scratched).
- When cleaning the disc, wipe in straight lines from the center of the disc to the outer edge of the disc. Never wipe in circular motions.



- Discs should be stored in their cases after each use to avoid damage.
- Do not expose discs to direct sunlight, high temperatures or dust, etc. Prolonged exposure or extreme temperatures can warp the disc.
- Do not stick or write anything on either side of the disc. Sharp writing instruments, or the ink, may damage the surface.

## Cleaning the Unit

- To prevent fire or shock hazard, disconnect your unit from the AC power source when cleaning.
- The finish on your unit may be cleaned with a dust cloth and cared for as other furniture. Use caution when cleaning and wiping the plastic parts.
- Mild soap and a damp cloth may be used on the front panel.

# SPECIFICATIONS

**Power Source:**

Power Source: Built-in DC=7.4V Lithium-ion rechargeable battery, recharge by DC=12V, 1000mA

Disc Compatibility: DVD/VCD/CD/CD-R/CD-RW/DVD±R/DVD±RW

SPECIFICATIONS ARE SUBJECT TO CHANGE WITHOUT NOTICE

**ACCESSORIES**

1 x User's Manual

1 x AC/DC Adaptor

1 x Remote Control

1 x Car Adaptor

1 x Headphone

This device complies with part 15 of the FCC Rules. Operation is subject to the following two conditions:

(1) This device may not cause harmful interference, and (2) this device must accept any interference received, including interference that may cause undesired operation.

# LIMITED PRODUCT WARRANTY

This quality product is warranted to be free from manufacturer's defects in material and workman-ship, provided that the unit is used under the normal operating conditions intended by the manufacturer.

Should you have any problem with this product, please and it is highly recommended to visit our website at [www.curtisint.com](http://www.curtisint.com) before you take any other steps as we have additional copies of instruction manuals, operating manuals and trouble shooting tips on our website which gives you the answer on most of the questions you could have in operating the unit.

## TERMS OF WARRANTY

C.I. Service Dept. warrants this product to be free from defects in materials and workmanship for 90 days on parts and 90 days on labor. If you originally purchased your product more than 90 days ago, a repair fee may apply.

Nothing within this warranty shall imply that C.I. will be responsible or liable for any damage to any items placed in this product, whether due to any defect of the product, or its use, whether proper or improper.

## EXCLUSIONS

Save as herein provided, C.I. Service Dept. (Canada) or C.I. Service Dept. (USA), there are no other warranties, conditions, representations or guarantees, express or implied, made or intended by C.I. or its authorized distributors and all other warranties, conditions, representations or guarantees, including any warranties, conditions, representations or guarantees under any Sale of Goods Act or like legislation or statute is hereby expressly excluded. Save as herein provided, C.I. Service Dept. (Canada) or C.I. Service Dept. (USA), shall not be responsible for any damages to persons or property, including the unit itself, howsoever caused or any consequential damages arising from the malfunction of the unit and by the purchase of the unit, the purchaser does hereby agree to indemnify and save harmless C.I. from any claim for damages to persons or property caused by the unit.

## TO OBTAIN REPAIRS UNDER THE TERMS OF THIS WARRANTY

1. The original purchaser must present a copy of the original bill of sale and the service warranty card.
2. Any alterations, abuse, misuse, battery corrosion or accidental damage voids the warranty.
3. The warranty does not cover cabinets and accessories.
4. No warranty or insurance contained or set out shall apply when damage or repair is caused by power failure; damage in transit or when moving the unit; improper power supply; use for commercial or industrial purposes; service calls resulting in customer education, etc.
5. The defective product should be mailed to:

**Canada**  
**C.I. Service Dept.**  
**315 Attwell Drive**  
**Toronto, ON**  
**M9W 5C1**

**U.S.A**  
**Curtis International Ltd**  
**c/o Lotus International Company**  
**6880 Commerce Blvd.**  
**Canton MI 48187**  
**U.S.A.**

**For service assistance and product information, please call: 1-800-968-9853.**

If mailing the product, the freight must be prepaid and a money order for \$7.00 should be included to cover the cost of insurance and the return of the product.

6. C.I. reserves the right to repair or replace the parts which have become defective.

Model No. \_\_\_\_\_ Date Purchased \_\_\_\_\_ Serial No. \_\_\_\_\_