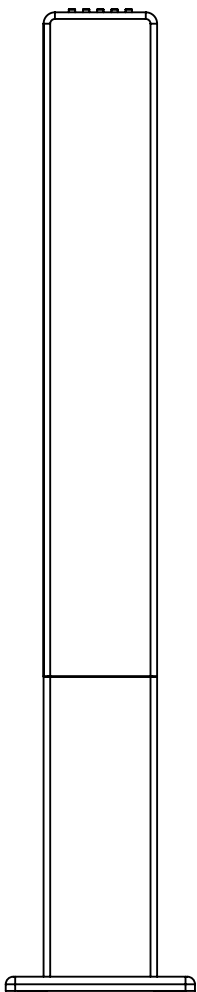




**SOUNDLOGIC™** | XT

*Instruction Manual*

## **BLUETOOTH iPad iTOWER SPEAKER**



**Model: BITS-1/5616**

**PLEASE READ BEFORE OPERATING THIS EQUIPMENT.**





## Warnings and Precautions



**CAUTION**  
RISK OF ELECTRIC SHOCK  
DO NOT OPEN



**WARNING:** TO REDUCE THE RISK OF ELECTRIC SHOCK, DO NOT REMOVE COVER (OR BACK). NO USER SERVICEABLE PARTS INSIDE. REFER SERVICING TO QUALIFIED SERVICE PERSONNEL.



The lighting flash with arrowhead symbol, within an equilateral triangle, is intended to alert the user to the presence of uninsulated "dangerous voltage" within the product's enclosure that may be of sufficient magnitude to constitute a risk of electric shock to persons.



The exclamation point within an equilateral triangle is intended to alert the user to presence of important operating and maintenance (servicing) instructions in the literature accompanying the appliance.

• **CAUTION:** TO PREVENT ELECTRIC SHOCK, MATCH WIDE BLADE OF PLUG TO WIDE SLOT, FULLY INSERT.

• **WARNING:** To reduce the risk of fire or electric shock, do not expose this apparatus to rain or moisture.

• **CAUTION:** Use of any controls or adjustments or performance of procedures other than those herein specified may result in hazardous radiation exposure.

• **WARNING:** Changes or modifications to this unit not expressly approved by the party responsible for compliance could void the user's authority to operate the equipment.

• **WARNING:** Do not place the unit on top of any soft, porous, or sensitive surfaces to avoid damaging the surface. Use a protective barrier between the unit and surface to protect the surface.

• **WARNING:** Use of this unit near fluorescent lighting may cause interference regarding use of the remote. If the unit is displaying erratic

behavior move away from any fluorescent lighting, as it may be the cause.

• **CAUTION:** Danger of explosion if battery is incorrectly replaced. Replace only with the same or equivalent type.

• **WARNING:** This package may contain plastic bags or other materials that pose a hazard to children. Be sure to safely dispose of all packing materials after opening.

• **WARNING:** Shock hazard - Do Not Open. Mains plug is used as disconnect device and it should remain readily operable during intended use. In order to disconnect the apparatus from the mains completely, the mains plug should be disconnected from the mains socket outlet completely.

Do not mix old and new batteries. Do not mix alkaline, standard (carbon-zinc), or rechargeable (ni-cad, ni-mh, etc) batteries.

### Additional Warnings

• The apparatus shall not be exposed to dripping or splashing and that no objects filled with liquids, such as vases, shall be placed on apparatus.

• Main plug is used as disconnect device and it should remain readily operable during intended use. In order to disconnect the apparatus from the mains completely, the mains plug should be disconnected from the mains socket outlet completely.

• Battery shall not be exposed to excessive heat such as sunshine, fire or the like.

• Caution marking is located at the rear or back of the apparatus.


• The marking information is located at the rear or back of apparatus.



This symbol indicates that this product incorporates double insulation between hazardous mains voltage and user accessible parts.



## Important Safety instructions

1. Read these Instructions.
2. Keep these Instructions.
3. Heed all Warnings.
4. Follow all instructions.
5. Do not use this apparatus near water.
6. Clean only with a dry cloth.
7. Do not block any ventilation openings. Install in accordance with the manufacturer's instructions.
8. Do not install near any heat sources such as radiators, heat registers, stoves, or other apparatus (including amplifiers) that produce heat.
9. Do not defeat the safety purpose of the polarized or grounding - type plug. A polarized plug has two blades with one wider than the other. A grounding type plug has two blades and a third grounding prong. The wide blade or the third prong are provided for your safety. When the provided plug does not fit into your outlet, consult an electrician for replacement of the obsolete outlet.
10. Protect the power cord from being walked on or pinched particularly at plugs, convenience receptacles, and the point where they exit from the apparatus.
11. Only use attachments/accessories specified by the manufacturer.
12. Use only with a cart, stand, tripod, bracket, or table specified by the manufacturer, or sold with the apparatus.   
When a cart is used, use caution when moving the cart/apparatus combination to avoid injury from tip-over.
13. Unplug this apparatus during lightning storms or when unused for long periods of time.
14. Refer all servicing to qualified service personnel.

Servicing is required when the apparatus has been damaged in any way, such as power-supply cord or plug is damaged, liquid has been spilled or objects have fallen into the apparatus, the apparatus has been exposed to rain or moisture, does not operate normally, or has been dropped.

## FCC Warnings

**WARNING:** Changes or modifications to this unit not expressly approved by the party responsible for compliance could void the user's authority to operate the equipment.

**NOTE:** This equipment has been tested and found to comply with the limits for a Class B digital device, pursuant to Part 15 of the FCC Rules. These limits are designed to provide reasonable protection against harmful interference in a residential installation. This equipment generates, uses, and can radiate radio frequency energy and, if not installed and used in accordance with the instructions, may cause harmful interference to radio communications. However, there is no guarantee that interference will not occur in a particular installation. If this equipment does cause harmful interference to radio or television reception, which can be determined by turning the equipment off and on, the user is encouraged to try to correct the interference by one or more of the following measures:

- Reorient or relocate the receiving antenna.
- Increase the separation between the equipment and receiver.
- Connect the equipment into an outlet on a circuit different from that to which the receiver is connected.
- Consult the dealer or an experienced radio/TV technician for help.

## FCC Radiation Exposure Statement

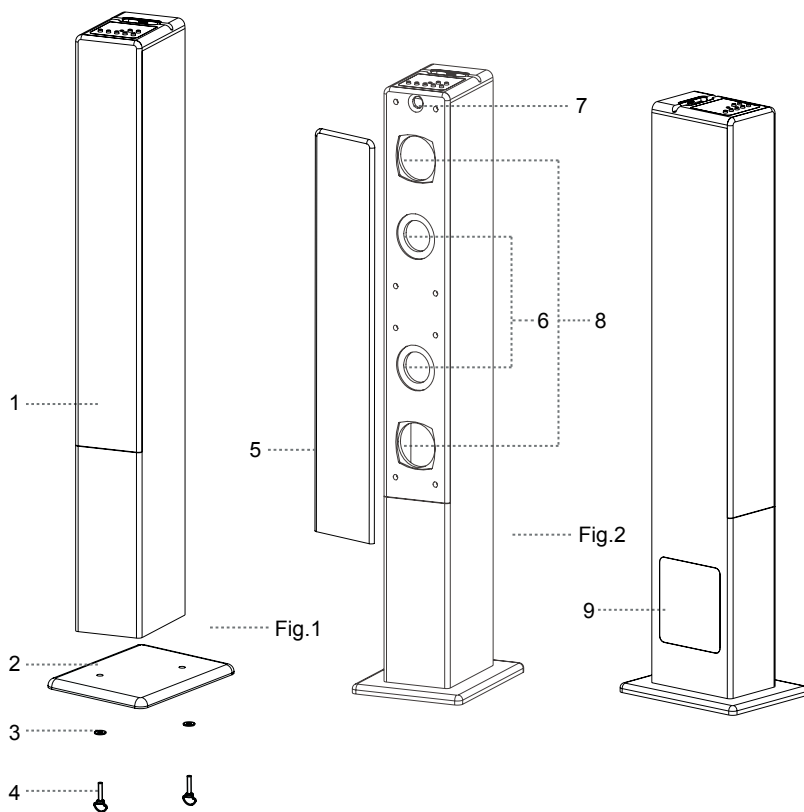
This equipmt complies with FCC radiation exposure limits set forth for an uncontrolled environment. This equipment should be installed and operated with minimum distance 20cm between the radiator & your body.





## INSTALLATION

1. Main Body
2. Base
3. Washer
4. Screw
5. Speaker Net
6. Tweeter
7. Remote Sensor
8. Loud Speakers
9. Woofer






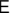
1. Assembled the wooden base to the main body by the supplied screws and washers as the fig.1 above.

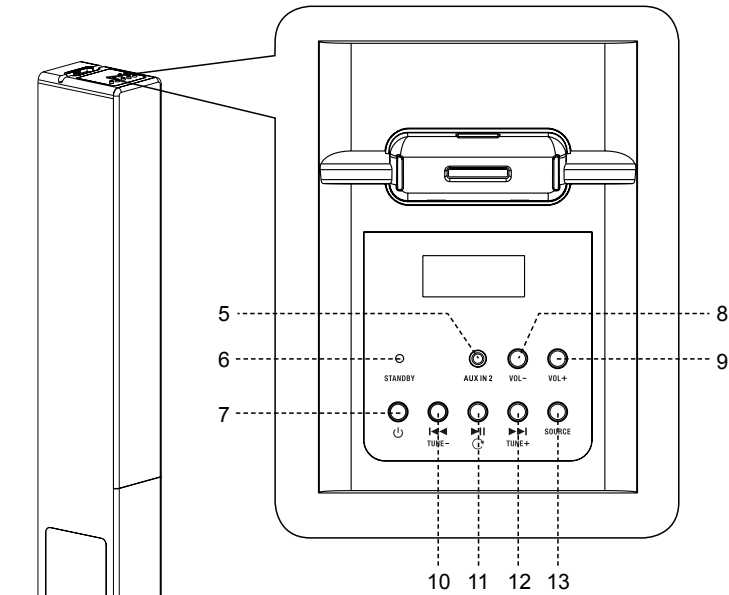
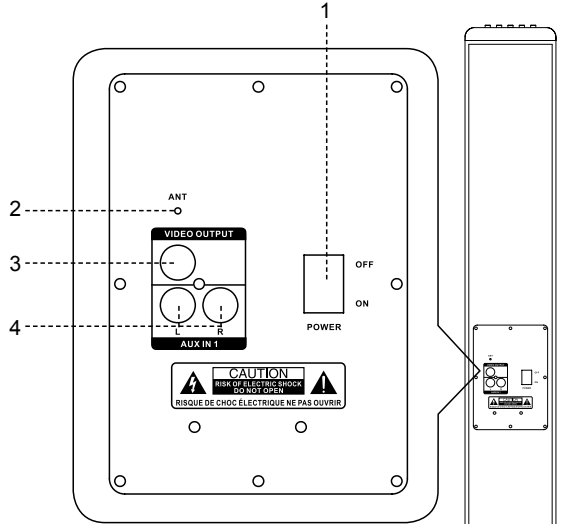
2. The speaker net can take out and reassemble as Fig.2 above.





## LOCATION OF CONTROLS

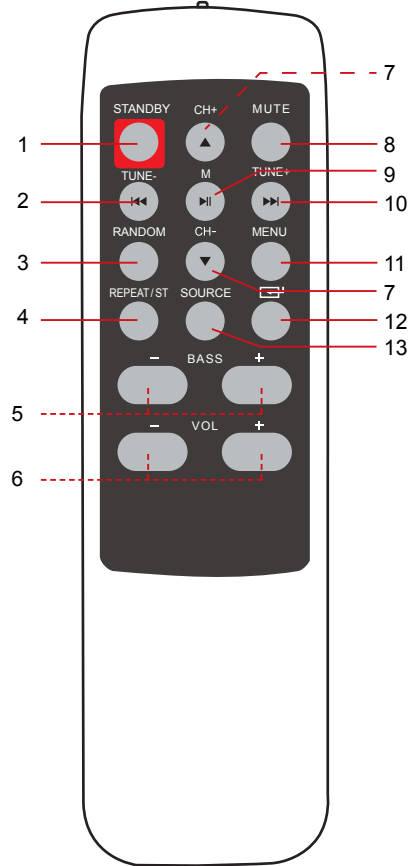
1. POWER ON/OFF Switch
2. ANT (Antenna for FM Radio)
3. VIDEO OUT Jack
4. AUX IN 1 (Audio Input )Jacks
5. AUX IN 2 (Audio Input) Jack
6. STANDBY Indicator
7.  Standby ON/OFF Button
8. VOL (Volume) - Button
9. VOL (Volume) + Button
10.  /TUNE - Button
11.  /TUNE + Button
12.  /TUNE + Button
13. SOURCE Button





## REMOTE CONTROL- LOCATION OF CONTROLS

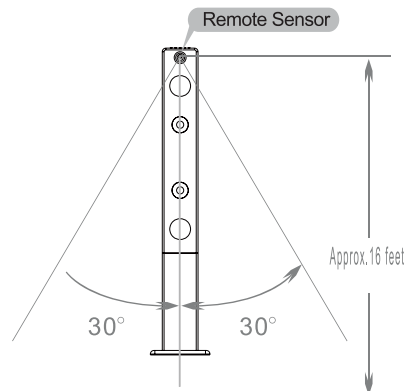
1. **STAND-BY Button**
2. **TUNE- / I◀◀ Button**
3. **RANDOM Buton**
4. **REPEAT /ST(Stereo) Button**
5. **Bass+/- Button**
6. **VOL(Volume) +/- Button**
7. **▲/▼(CH+/CH-) Button**
8. **MUTE Button**
9. **▶II / M( Play /Pause /Memory ) Button**
10. **TUNE+ / I◀◀ Button**
11. **MENU Button**
12. **⏏ Enter Button**
13. **SOURCE Button**



### Effective distance of remote transmitter

#### Notes:

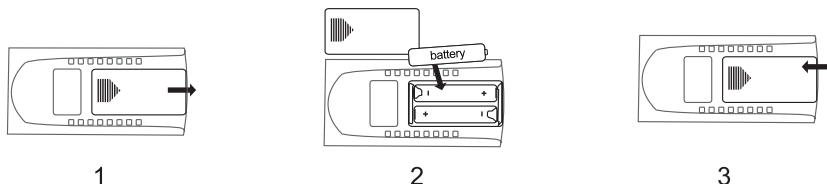
- When there is an obstacle between the unit and the transmitter, the transmitter may not operate.
- When direct sunlight, an incandescent lamp, fluorescent lamp or any other strong light shines on the remote sensor of the unit, the remote operation may be unstable.





## BATTERIES INSTALLATION(REMOTE CONTROL)

### Battery Installation for the Remote Control



1. Press and lift the back cover up to open the battery compartment of the remote control.
2. Insert two AAA size batteries. Make sure to match the (+) and (-) ends of the battery compartment.
3. Close the battery compartment cover.

### Handling the Batteries

- Improper or incorrect use of batteries may cause corrosion or battery leakage, which could cause fire, personal injury or damage to property.
- Only use the battery type indicated in this manual.
- When the batteries are exhausted, the remote will not function. Replace both batteries at the same time with new ones.
- Do not install new batteries with used ones and do not mix different types of batteries.
- Do not dispose of used batteries as domestic waste. Dispose of them in accordance with local regulations.

## GENERAL OPERATION

1. Press the **POWER** Switch on the rear of unit to ON position to power on the unit. The STANDBY Indicator will turn on.
2. Press the **STANDBY** ⏻ Button on the unit or Remote Control to turn on the unit from standby mode. The STANDBY Indicator will turn off but the LCD Display will turn on.
3. Press the **SOURCE** Button on the unit or Remote Control repeatedly to select the input source as the connections to AUX (forAUX 1 or 2 inputs), IPOD(for iPod, iPhone and iPad connection), FM Radio (showing the current radio's frequency on display) or BT (Bluetooth).
4. Press the **VOL (Volume) +/-** Buttons to adjust volume level.
5. Press the **BASS +/-** Buttons on the Remote Control to increase/decrease the bass level.
6. Press the **MUTE** Button on the Remote Control to turn off the sound temporary, press again to turn the sound back.
7. When finished, press the **STANDBY** ⏻ Button on the unit or Remote Control to turn the unit off (standby mode).
8. If the unit is not used for a long period of time, turn off the unit by press the Power ON/OFF Switch on the rear of unit to OFF position.







## SYSTEM CONNECTIONS

### External Audio Device

1. Plug one end of the AUX in cable into the audio output jack on MP3 or computer and plug the other end into the AUX in 2 Jack on the top of the unit.
2. Press **SOURCE** button repeatedly until AUX2 appears on the display,
3. Please press "PLAY" button on your MP3 player or computer, then the audio files will display through the tower unit.

Connect to the output socket of external audio devices (MP3, Computer, ext.)

Supplied audio connection cable

To AUX IN 2 Jack

### LISTEN FROM DIVICES WITH BLUETOOTH

1. Power ON the unit.
2. Press **SOURCE** button repeatedly until BT appears on the display.
3. Activate the Bluetooth function on your Bluetooth Device (Mobile Phone or Tablet).
4. Please refer to manufacturer's instructions for instructions on enabling Bluetooth on your device.
5. Once you have activated Bluetooth on your device, select "**SOUNDLOGIC ITOWER**" from the list of available Bluetooth devices.
6. If required, enter the password '**0000**' to confirm to finalize pairing.
7. Once paired successfully, you would hear two "BEEP" sound.
8. Choose music from your Bluetooth® device (Mobile Phone or Tablet) and play music wireless through the SOUNDLOGIC® ITOWER.



## SYSTEM CONNECTIONS

### Connect unit to a TV to watch video files on your iPhone/iPod/iPad.

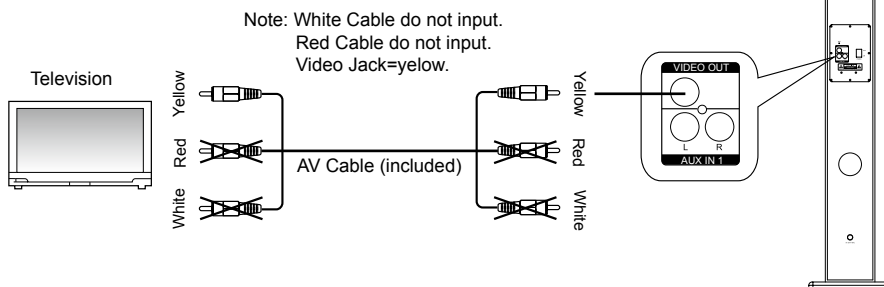
1. Plug one end of AV cable into video input Jack(Yellow Jack) on TV and plug the other end into the video output Jack(Yellow Jack)

**Note:** Please set TV signal input mode as AV1 or AV2.

2. Please put your iPhone/iPod/iPad into the top plate, and connect to iPhone/iPod jack of the unit.

3. Press **SOURCE** button repeatedly until "IPOD" appears on the display.

4. Select the desired video files in iPhone/iPod/iPad, then press PLAY and the TV will start playback automatically.



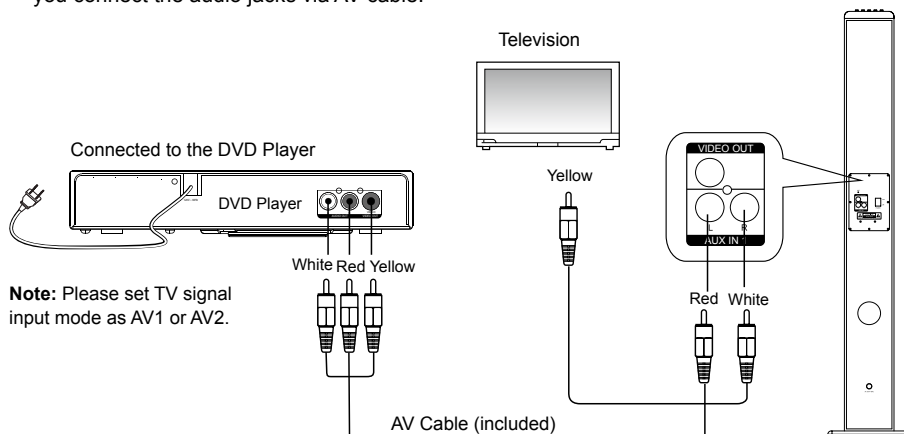
### Play Audio or Video Files in DVD Player/TV/VCR/DVR

1. Connect the AV cable to audio output jack(white jack=L, red jack=R) on DVD Player and audio input jack on the rear of the unit. Connect video output jack on the DVD player(Yellow Jack)to video input jack(yellow jack) on TV.

2. Press **SOURCE** button repeatedly until AUX1 appears on the display,


3. Then, the video files from DVD player will be shown through TV and audio files will be played via the tower stereo system at the same time.

4. This tower stereo system can also support the audio files from TV/VCR/DVR player ext, when you connect the audio jacks via AV cable.





## LISTEN TO iPod/iPhone/iPad


1. Insert the iPod or iPhone to docking directly. To connect iPad, insert the iPad adaptor to the docking as the figure above before insert the iPad to the docking.
2. When iPod, iPhone or iPad connected, it will recharge automatically.
3. Power on the unit as previous procedures, press the SOURCE Button on the unit or Remote Control repeatedly until "IPOD" appear on the display.  
The unit will start playback automatically.
4. During playback the music/video files from iPod, iPhone or iPad:
  - A. Presses the Skip/Fast Search ◀◀ or ▶▶ Buttons repeatedly to skip the tracks forward/backward.
  - B. Press and hold the Skip/Fast Search ◀◀ or ▶▶ to fast searching the specific section of the track forward/backward.
  - C. Presses the **REPEAT** Button on the Remote Control to set repeat modes, correspond icons will occur on the connected iPod/iPhone/iPad's display
  - D. Press the **RANDOM** Button on the Remote Control to turn the random playback mode on or off, correspond icons will occur on the connected iPod/iPhone/iPad's display.
  - E. Press the **MENU** Button on the Remote Control, the setting menu will appear on the connected iPod/iPhone/iPad's display. Using the Direction ▲/▼, Skip/Fast to move the cursor within the display, press the **ENTER**  Button to confirmed the selections.



## LISTEN TO FM RADIO



Extend the FM antenna wire on the rear of the unit and relocation it to get the best reception.

- 1) Power ON the unit as previous procedures.
- 2) Press the **SOURCE** button on the unit or remote control repeatedly until FM frequency appears on the display.
- 3) Press ◀◀ or ▶▶ button on the remote control repeatedly to search the specific radio station.  
(or press and hold the ◀◀ or ▶▶ button 1 second then release the button. The unit will auto search the next or previous available radio station then stop).
- 4) To store the current received radio station into the memory. Press the ▶II / M button on the Remote Control; CH XX will appear on the display. Press the CH+/CH- buttons on the Remote Control repeatedly to select channel number as desire. Press the ▶II / M button again to store the current radio station into the selected channel (Total 20 FM stations can be preset into the memory)
- 5) To listen to the preset channels, press the CH+/CH- buttons on the Remote Control or the  button on the unit repeatedly to the desired channel.
- 6) Press the **REPEAT/ST** button on the remote control repeatedly to set the radio to stereo or mono mode. STEREO or MONO will appear on the display.



## TROUBLESHOOTING GUIDE

Check the follows before requesting service		
SYMPTOM	POSSIBLE CAUSE	POSSIBLE SOULTION
No power	AC Plug not plugged into wall outlet	plug it to the wall outlet properly
	POWER Switch in OFF position	Press the POWER Switch on the rear of unit to ON position
	The unit in standby mode (STANDBY Indicator is light)	Press the STANDBY Button on the unit or Remote Control to turn on the unit from standby mode.The STANDBY Indicator will turn off and the Display will turn ON.
No Sound	Volume in minimum position	Rise volume level by pressthe VOL (Volume)+Button
	The connected device is not in payback mode	Plays the music/movie in the connected device
	Sound output of the device weak	Rise volume level of the connected device
	Input source incorrec	Set the input source to AUX 1, AUX 2, iPod /iPone/iPad or Radio as the connecting
Sound distortion	Volume level too high	Reduce the volume level by press the VOL(Volume)- Button
	Bass level too high	Reduce the bass level by press the BASS-Button
	Volume level of the connected device too high	Reduce the volume level of the connected device
	EQ of the connected device was set to super bass or others mode	Set the EQ the connected device to normal
No video output	The connected iPod/iPhone is not set to TV Out mode	Set the connected iPod/iPone/iPad to TV OUT Mode (For details,please refer to the iPod/iPone/iPad User' s Manual)
Remote not functioning		Point the remote control to remote the sensor on the unit within 16 feet, +/-30 degree
	The batteries in the remote control are consume	Replace by new batteries
Radio reception weak		Extend the FM antenna wire on the rear of the unit and relocation it to get better reception.
BT(Bluetooth) not functioning	This unit have not paired to the external BT device.	Pairing this unit to the external BT device as it's user's Manuel.
AUX1 not functional	The audio connection cable was inserted into the AUX 2 jack, the unit was turned to AUX 2 mode.	Disconnect the audio connection cable from the AUX 2 Jack. The unit will turn back to AUX 1 mode.



## GENERAL SPECIFICATIONS

Power Source: .....	AC 120V~, 60Hz
Power Source of Remote Control: .....	DC = 3V, 2 x AAA size batteries(Included)
Power Consumption: .....	85W
Audio Power:	
Woofers.....	20W(RMS)
Loud Speaker.....	10W x 2(RMS)
Radio Coverage.....	FM 87.5 - 108.0 MHz
Impedance of Speakers:	
Woofers.....	8 Ohm, 30W
Loud speakers.....	4 Ohm, 10W x 2
Tweeter.....	4 Ohm, 5W x 2

### Accessories:

- 1 x Instruction Manual
- 1 x Remote Control
- 1 x Stereo audio connection cable with 3.5mm stereo plug
- 1 x Wooden Base
- 2 x Assembly Screws / Washers







## LIMITED WARRANTY

This manufacturer's product warranty extends to the original consumer purchaser of the product. Neither the retailer nor any other company involved in the sale or promotion of this product is a co-warrantor of this manufacturer warranty.

**WARRANTY DURATION:** All materials and workmanship are warranted to the original consumer purchaser for a period of ninety (90) days from the original purchase date.

**WARRANTY COVERAGE:** This product is warranted against defective materials or workmanship. This warranty is void if the product has been damaged by accident, in shipment, unreasonable use, misuse, neglect, improper service, commercial use, repairs by unauthorized personnel or other causes not arising out of defects in materials or workmanship. This warranty doesn't cover the following which may be supplied with this product, including but not limited to; LCD Screens, glass parts, lenses, etc. This warranty is effective only if the product is purchased and operated in USA, and does not extend to any units which have been used in violation of written instructions furnished by manufacturer or to units which have been altered or modified or, to damaged products or parts thereof which have had the serial number removed, altered, defaced or rendered illegible.

**WARRANTY DISCLAIMERS:** This warranty is in lieu of all warranties expressed or implied and no representative or person is authorized to assume for manufacturer any other liability in connection with the sale of our products. There shall be no claims for defects or failure under any theory of tort, contractor commercial law including but not limited to, negligence, gross negligence, strict liability, breach of warranty and breach of contract.

**WARRANTY PERFORMANCE:** During the above 90 day warranty period, a product with a defect will be either repaired or replaced with a reconditioned comparable model (at manufacturer's option). The repaired or replacement product will be in warranty for the balance of the 90 day warranty period and an additional one-month period. No charge will be applicable for such repair or replacement.

**SERVICE AND REPAIR:** If service is required for this product, you should first contact Midwest Trading Group Customer Service at [info@mtradinggroup.com](mailto:info@mtradinggroup.com) or by calling 1 (866) 815-4714, Monday to Friday 9am to 5pm CST.

**NOTE:** Manufacturer cannot assume responsibility for loss or damage during incoming shipment. As a precautionary measure, carefully package the product for shipment, and insure it with the carrier. Be sure to enclose the following details with the product: your full name, return address and daytime phone number, a note describing the problem you experienced, a copy of your sales receipt or other proof of purchase to determine warranty status. C.O.D. shipments cannot be accepted.

