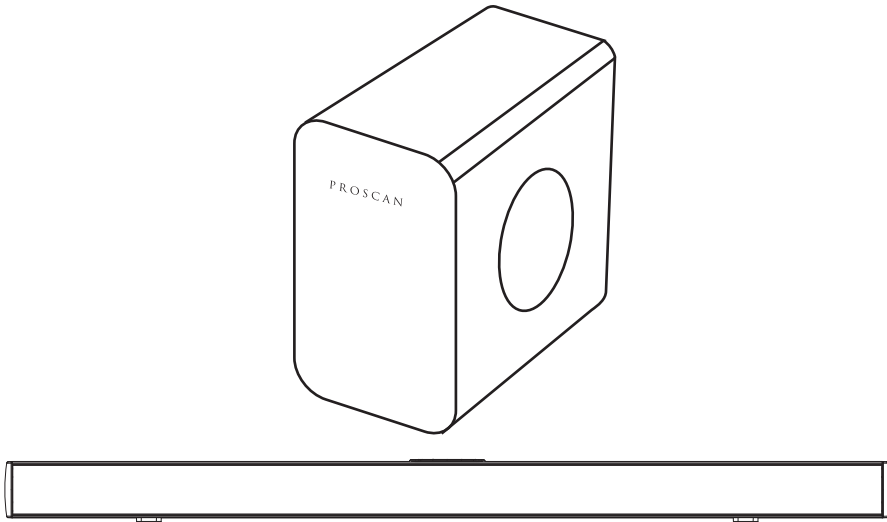


# PROSCAN

---

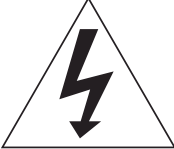

37" Bluetooth Soundbar with Wireless Subwoofer





MODEL:PSB378W

Please read this instruction manual carefully and keep it for future reference

## IMPORTANT SAFETY INSTRUCTIONS

|  |   |  |
|--|---|--|
|   | <b>CAUTION</b><br><b>RISK OF ELECTRIC SHOCK</b><br><b>DO NOT OPEN</b> |  |
| <p>CAUTION: TO REDUCE THE ELECTRIC SHOCK, DO NOT REMOVE THE COVER (OR BACK). NO USER SERVICEABLE PARTS INSIDE. REFER SERVICING TO QUALIFIED SERVICE PERSONNEL.</p> |   |  |

 **DANGEROUS VOLTAGE:** The lightning flash with arrowhead symbol within an equilateral triangle is intended to alert the user to the presence of uninsulated “dangerous voltage” within the product’s enclosure that may be of sufficient magnitude to constitute a risk of electric shock to persons.

 **ATTENTION:** The exclamation point within an equilateral triangle is intended to alert the user to the presence of important operating and maintenance (servicing) instructions in the literature accompanying the appliance.

### **FCC STATEMENT:**

This device complies with part 15 of the FCC Rules. Operation is subject to the following two conditions:

- (1) This device may not cause harmful interference, and
- (2) This device must accept any interference received, including interference that may cause undesired operation. The antenna(s) used for this transmitter must be installed to provide a separation distance of at least 8 ft. from all persons and must not be co-located or operated in conjunction with any other antenna or transmitter.

### **FCC NOTE:**

This equipment has been tested and found to comply with the limits for a Class B digital device, pursuant to Part 15 of the FCC Rules. These limits are designed to provide reasonable protection against harmful interference in a residential installation. This equipment generates, uses and can radiate radio frequency energy and, if not installed and used in accordance with the instructions, may cause harmful interference to radio communications. However, there is no guarantee that interference will not occur in a particular installation. If this equipment does cause harmful interference to radio or television reception, which can be determined by turning the equipment off and on, the user is encouraged to try to correct the interference by one or more of the following measures:

- Reorient or relocate the receiving antenna.
- Increase the separation between the equipment and receiver.
- Connect the equipment into an outlet on a circuit different from that to which the receiver is connected.
- Consult the dealer or an experienced radio/TV technician for help.

To assure continued operation, follow the attached installation instructions and use only shielded cables when connecting to other devices. Changes or modifications not expressly approved by the party responsible for compliance could void the user's authority to operate the equipment.

**WARNING: TO PREVENT FIRE OR SHOCK HAZARD, DO NOT EXPOSE THIS UNIT TO RAIN OR MOISTURE.**

**WARNING: USE UNDER SUPERVISION OF AN ADULT DUE TO LONG CORD.** This unit has a long cord that can be easily tripped on or pulled on, causing injury. Please make sure it is arranged so that it will not drape over a tabletop, etc., where it can be pulled on by children or tripped over accidentally.

#### **INDUSTRY CANADA CONFORMITY**


CAN ICES-3 (B)/NMB-3(B)

## **IMPORTANT SAFETY INSTRUCTIONS**

Before using the unit, be sure to read all operating instructions carefully. Please note that these are general precautions and may not pertain to your unit. For example, this unit may not have the capability to be connected to an outdoor antenna.

1. Read these instructions – All the safety and operating instructions should be read before the appliance is operated.
2. Keep these instructions – The safety and operating instructions should be kept for future reference.
3. Heed all warnings – All warnings on the appliance and in the operating instructions should be adhered to.
4. Follow all instructions – All operation and use instructions should be followed.
5. Do not use this apparatus near water – The appliance should not be used near water; for example, near a bath tub, washbowl, kitchen sink, laundry tub, in a wet basement, or near a swimming pool.
6. Clean only with dry cloth – The appliance should be cleaned only as recommended by the manufacturer.
7. Do not block any ventilation openings. Install in accordance with the manufacturer's instructions. The appliance should be situated so that its location or position does not interfere with its proper ventilation. For example, the appliance should not be situated on a bed, sofa, rug, or similar surface that may block the ventilation openings; or placed in a built-in installation, such as a bookcase or cabinet that may impede the flow of air through the ventilation openings.
8. Do not install near any heat sources such as radiators, heat registers, stoves, or other apparatus (including amplifiers) that produce heat.
9. Do not defeat the safety purpose of the polarized or grounding-type plug. A polarized plug has two blades and a third grounding prong. The wide or the third prong are

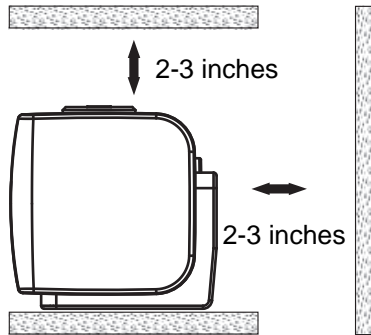
provided for your safety. If the provided plug does not fit into your outlet, consult an electrician for replacement of the obsolete outlet.

10. Protect the power cord from being walked on or pinched particularly at plugs, convenience receptacles, and the point where they exit from the apparatus.
11. Only use attachments / accessories specified by the manufacturer.
12. Use only with a cart, stand, tripod, bracket, or table specified by the manufacturer, or sold with the apparatus. When a cart is used, use caution when moving the cart/apparatus combination to avoid injury from tip-over. 
13. Unplug this apparatus during lightning storms or when unused for long periods of time.
14. Refer all servicing to qualified service personnel. Servicing is required when the apparatus has been damaged in any way, such as power-supply cord or plug is damaged, liquid has been spilled or objects have fallen into the apparatus, the apparatus has been exposed to rain or moisture, does not operate normally, or has been dropped.
15. This appliance should not be exposed to dripping or splashing water and no object filled with liquids such as vases should be placed on the apparatus.
16. Power Sources – The appliance should be connected to a power supply only of the type described in the operating instructions or as marked on the appliance. Do not overload wall outlet.
17. Battery should not be exposed to excessive heat such as sunshine, fire, etc.
18. Replace remote control battery only with the same or equivalent type.
19. Do not attempt to dismantle, open or repair this product yourself. If a problem occurs, seek advice from your local qualified service technician or contact the distributor at the telephone number at the back of this instruction manual.
20. Caution marking and nameplate are located on back or bottom of product.

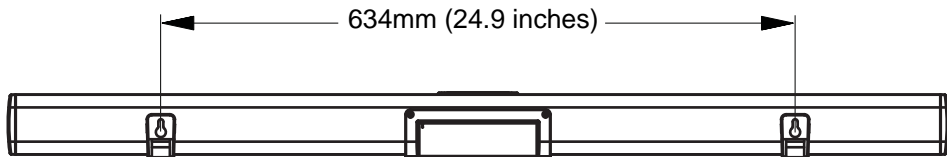
# PLACEMENT AND MOUNTING

## 1. Placing the device on table - Ventilation

When placing the Sound Bar on an entertainment center, bookshelf, or any type of enclosed space, be sure to allow at least 2-3 inches of space around the Sound Bar for ventilation. If the Sound Bar is enclosed in a tight space, without ventilation, heat generated from the Sound Bar could produce a potential heat hazard.

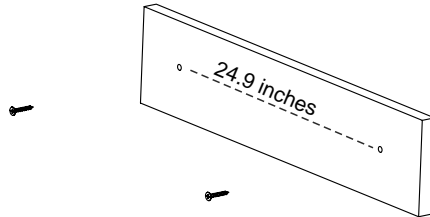


## 2. The Installation Distance



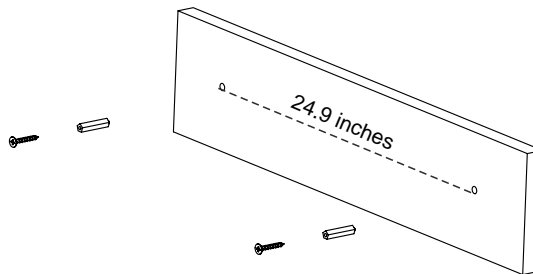
## Mounting to a wall

### 2.1 Mounting to a wooden wall



- A. Mark the position of the mounting screws on the wall using a pencil(not supplied).
- B. Drill the screws (not supplied) directly into the marks that you made on the wall and leave approx. 0.3 inch length to hook the sound bar.
- C. Put the sound bar onto the mounting screws. Make sure they are firm and stable.

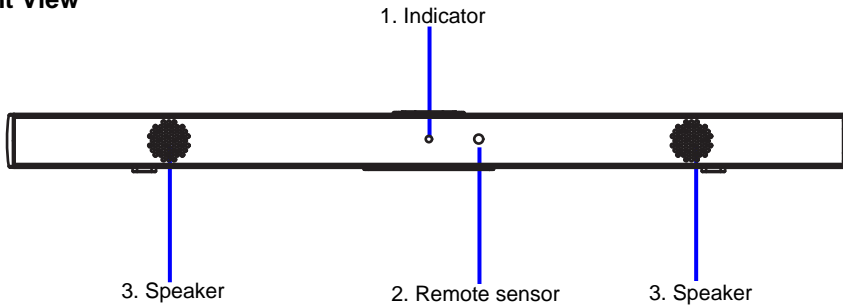
### 2.2 Mounting to a brick wall



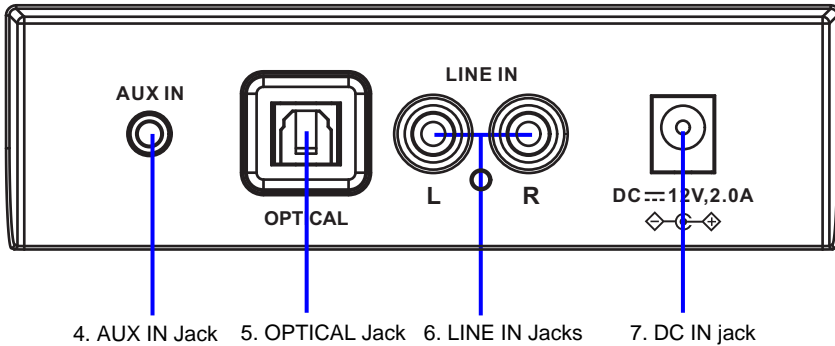
- A. Mark the position of the mounting screws on the wall using a pencil(not supplied).
- B. Drill 2 holes on mounting positions with powerful electric drill(not supplied).
- C. Insert the fixing plugs and hammer into the holes.
- D. Secure the screws into the fixing plugs and leave approx. 0.3 inch length to hook the sound bar.
- E. Put the sound bar onto the mounting screws. Make sure they are firm and stable.

# PRODUCT OVERVIEW

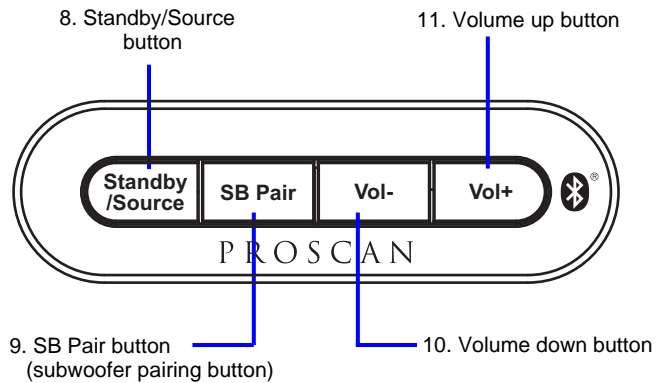
## Front View



## Rear View

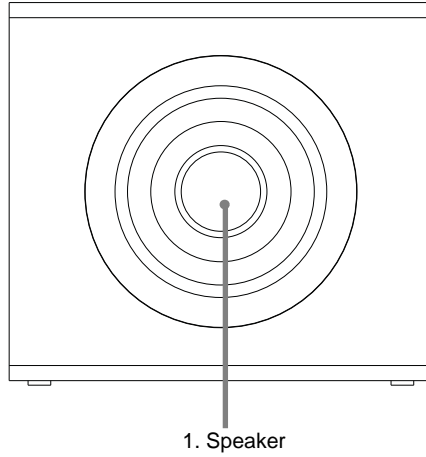


## Top View

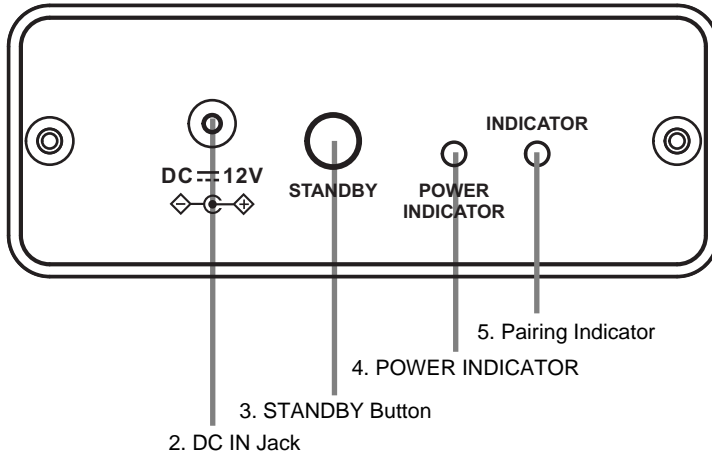


# PRODUCT OVERVIEW

## SideViewofSubwoofer

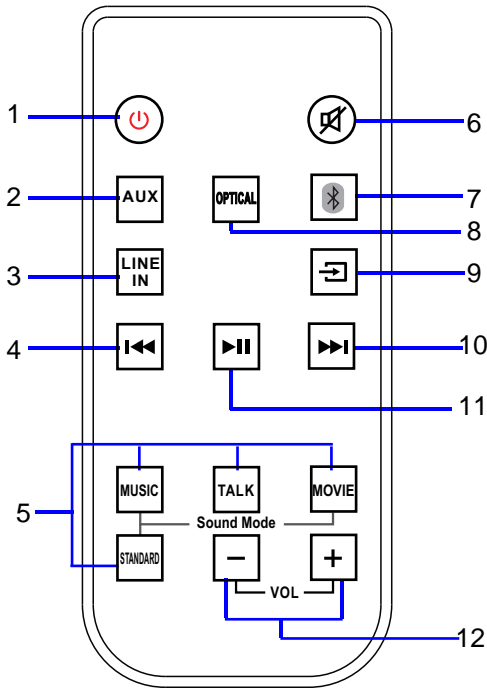


## RearViewofSubwoofer





## REMOTE CONTROL



1. ⏻ (Power On/Off) Button
2. AUX Button
3. LINE IN Button
4. ⏮ (Previous) Button
5. Sound Mode (MUSIC, TALK, MOVIE, STANDARD)
6. 🔇 (Mute) Button
7. 📶 (Bluetooth) Button
8. OPTICAL Button
9. ➡ (Mode Switch) Button
10. ⏭ (Next) Button
11. ▶⏸ (Play/Pause) Button
12. - + (Volume Up/Down) Button

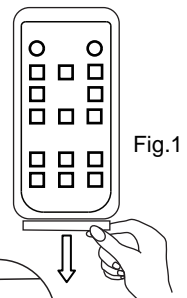
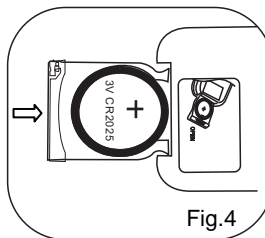
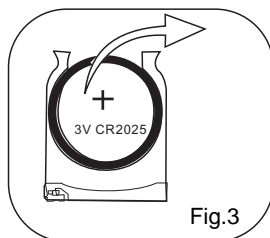
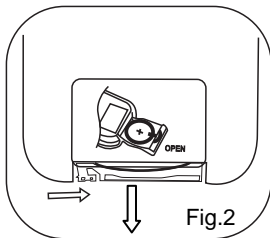
## BATTERY INSTALLATION OF REMOTE CONTROL

### USING AT FIRST TIME:

Remove and discard the insulation film as Fig.1.

### BATTERY REPLACING:

- Pull out the battery holder as Fig.2.
- Replace the old button cell with a new CR2025 button cell with the polarity markings facing upward as Fig.3.
- Push back the battery holder as Fig.4.



## BATTERY PRECAUTIONS:

Follow these precautions when using a battery in this device:

1. Use only the size and type of battery specified.
2. Be sure to follow the correct polarity when installing the battery as indicated in the battery compartment, a reserved battery may cause damage to the device.
3. Do not mix different types of batteries together ( e.g: Alkaline and Carbon-zinc ) or old batteries with fresh ones.
4. If the batteries in the device are consumed or the device is not to be used for a long period of time, remove the batteries to prevent damage or injury from possible leakage.
5. Do not try to recharge the battery as it is not intended to be recharged; it can overheat and rupture. ( Follow the battery manufacturer's instructions.)
6. The batteries shall not be exposed to excessive heat such as sunshine or fire.
7. Clean the battery contacts and also those of the device prior to battery installation.
8. The remote control is supplied with a coin/button cell battery. If the coin button cell battery is swallowed, it can cause severe internal burns in just 2 hours and can lead to death. Keep new and used battery away from children. If the Battery compartment does not close securely, stop using the product and keep it away from children. If you think batteries might have been swallowed or placed any part of the body, seek immediate medical attention.

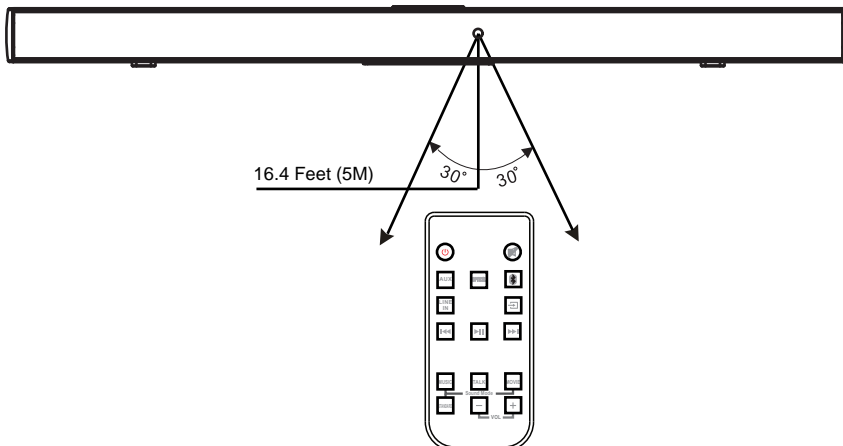


## CAUTION

- Danger of explosion if the battery is incorrectly replaced.
- Replace only with the same or equivalent type.

## OPERATION RANGE:

- When there is an obstacle between the transmitter and the unit, the unit may not operate.
- When direct sunlight, an incandescent lamp, fluorescent lamp or any other strong light shines on the REMOTE SENSOR of the unit, the operation of the remote may be unstable.



## GENERAL OPERATIONS

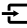

1. Connect the DC 12V, 2.0A Adapter to the DC IN jack on the Main Unit. Plug the Adapter into the AC outlet with AC100~240V;50/60Hz. The mode indicator on Main Unit will light up and turn RED.
2. Connect the DC 12V, 2.0A Adapter to the DC IN jack on the SUBWOOFER. Plug the Adapter into the AC outlet with AC100~240V;50/60Hz. The power indicator on the SUBWOOFER will light up and turn RED.
3. Press the Standby/Source button on the Main Unit to power on the Main Unit.
4. After a few seconds, the Main Unit will be connected with SUBWOOFER automatically, the pairing INDICATOR on SUBWOOFER will be solid BLUE.

**IMPORTANT NOTE: If the pairing INDICATOR on the SUBWOOFER is off, it means the Main Unit is not connected with the SUBWOOFER successfully. Please operate as the steps below:**

**A: Press and hold the SB Pair button on the Main Unit for 3-5 seconds.**


**B: Press and hold the STANDBY button on SUBWOOFER to power off, then press the STANDBY button on SUBWOOFER to power on again, the pairing INDICATOR on SUBWOOFER will blink several times and then turn off, it means the SUBWOOFER is connected with Main Unit successfully.**

**C: Press the SB PAIR button on the Main Unit, the pairing INDICATOR on the SUBWOOFER will be solid BLUE.**

5. Press the  button on remote control or press the Standby/Source button on the unit repeatedly to switch to the desired mode. Or press the AUX, OPTICAL,  , LINE IN button on remote control to turn to desired mode, the indicator on front of the unit will turn to:




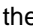

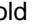
Blue.....Bluetooth Mode  
Green.....LINE IN Mode  
Purple.....OPTICAL IN Mode  
Indigo(blue+green).....AUX IN Mode

#### 6. During Playing:

- ~ Press the Vol+ or Vol- button on the unit or press the + or - button on remote control repeatedly to adjust volume.
- ~ Press the  button on remote control to turn off sound, the mode indicator on the Main Unit will blink, press this button again to resume.
- ~ Press the MUSIC button on remote control to turn to MUSIC sound effect mode.
- ~ Press the TALK button on remote control to turn to TALK sound effect mode.
- ~ Press the MOVIE button on remote control to turn to MOVIE sound effect mode.
- ~ Press the STANDARD button on remote control to turn to normal sound effect mode.

7. When finish listening, unplug the adapter of the Main Unit and the Subwoofer from AC outlet.

## BLUETOOTH OPERATION

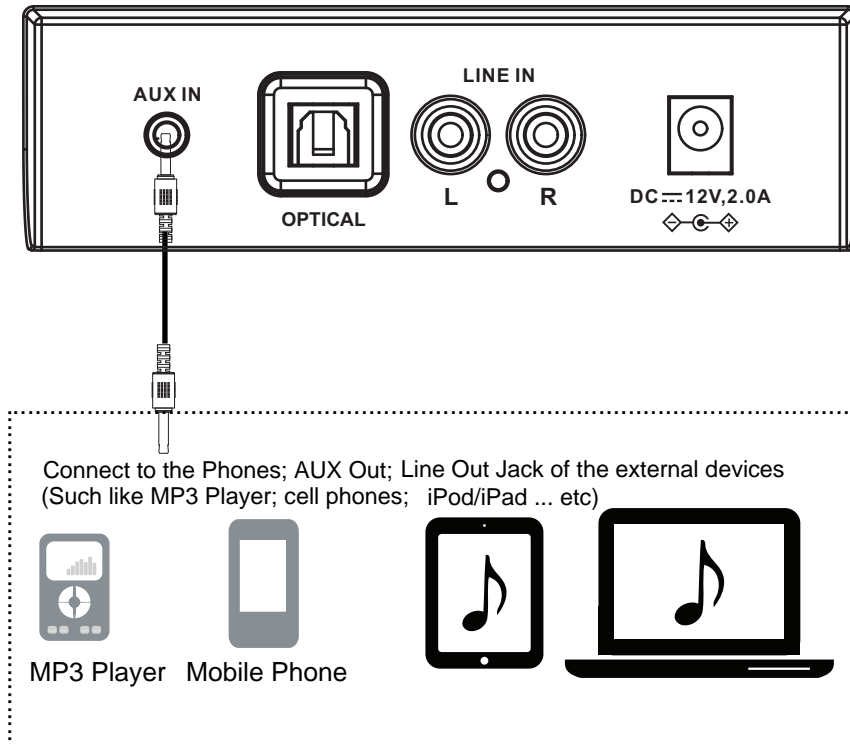
1. Power on the Main Unit and SUBWOOFER and paired together as previous stated.
2. Press the  button on remote control or press the Standby/Source button on Main Unit repeatedly, or press the  button on remote control directly to switch to Bluetooth mode, the mode indicator on the unit will turn Blue and blink.
3. Power on the external Bluetooth enabled device and enter Bluetooth mode, try searching the unit.
4. When " PROSCAN PSB378W " appears, select it and make connection.
5. After successful pairing, the mode indicator will stop blinking.
6. During playing:
  - ~ Press the  or  button on remote control to skip tracks.
  - ~ Press the  button on remote control to pause, press it again to resume.
7. Press and hold the  button on remote control to disconnect current connection and go into the Bluetooth pairing mode.


NOTE: The unit will be automatically connected with the last connected Bluetooth device if their Bluetooth function are activated and they are in working range.

## AUX IN OPERATION

An external Audio player(such as mobile phone, MP3 player etc.) can be connected to this unit and listen through the unit's speakers.

1. Plug one end of the AUX IN Cable into the AUX IN jack on the unit.
2. Plug another end of the AUX IN Cable into the headphone jack or Aux Out jack on the external audio player.

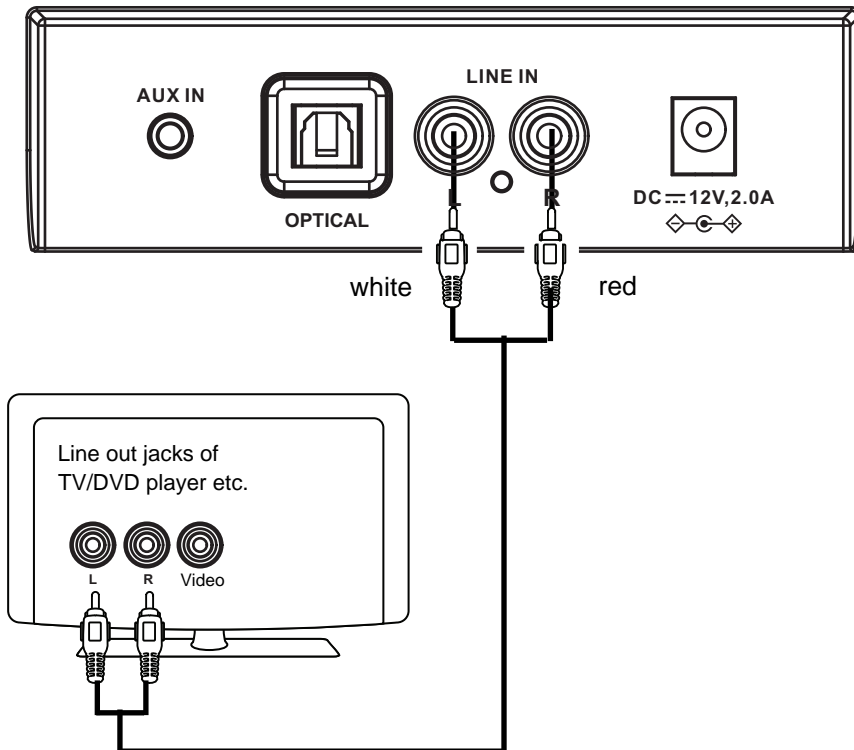



3. Power on the Main Unit and SUBWOOFER and paired together as previous stated.
4. Press the  button on remote control or press the Standby/Source button on Main Unit repeatedly, or press the AUX button on remote control directly to switch to AUX IN mode, the mode indicator on the unit will turn Indigo(Blue+Green).
5. Power on the connected external player and start playing the music as usual.

## LINE IN OPERATION

An external Audio/Video player(such as TV, DVD player etc.) can be connected to this unit and listen through the unit's speakers.

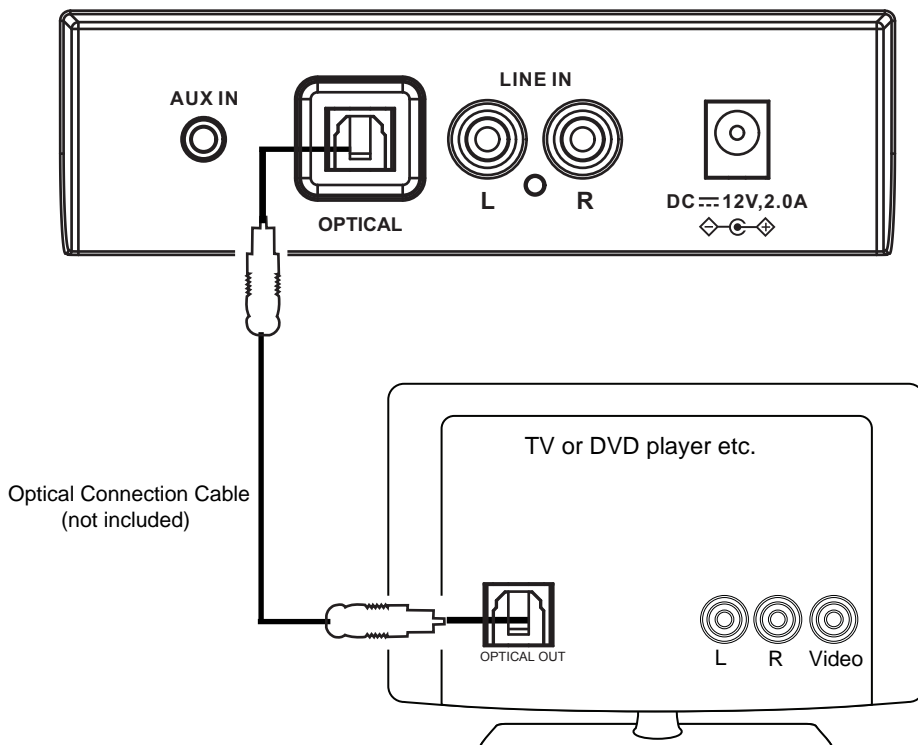
1. Plug one end of the line in cable into the LINE IN jacks(L&R) on the unit.
2. Plug the other end of the line in cable into the Line Out jacks(L&R) on TV or DVD player etc.




3. Power on the Main Unit and SUBWOOFER and paired together as previous stated.
4. Press the  button on remote control or press the Standby/Source button on Main Unit repeatedly, or press the LINE IN button on remote control directly to switch to LINE IN mode, the mode indicator on the unit will turn Green.
5. Power on the connected external player and start playing the music as usual.


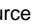
## OPTICAL IN OPERATION

1. Connect the Optical out jack from the external audio player (such as TV, DVD player etc.) to the OPT IN jack on the rear of the unit with the optical connection cable as illustrated below:(For PCM format only)







2. Power on the Main Unit and SUBWOOFER and paired together as previous stated.
3. Press the  button on remote control or press the Standby/Source button on Main Unit repeatedly, or press the OPTICAL button on remote control directly to switch to OPTICAL IN mode, the mode indicator on the unit will turn Purple.
4. Power on the connected external player and start playing the music as usual.  
Turn on the digital audio output and set it to PCM (Pulse Code Modulation) type.

## TROUBLESHOOTING GUIDE

| SYMPTOM                        | POSSIBLE CAUSE                                      | POSSIBLE SOLUTION  |
|--------------------------------|---|--|
| No power                       | The adapter is not connected                        | Connect the adapter to the unit and wall outlet  |
|                                | The unit is in power off mode                       | Press the Standby/Source button on the unit or press the  button on remote control to power on the unit |
| No sound or sound weak         | Volume level in minimum position                    | Raise the volume level by pressing the Vol+ Button on the unit or the + button on remote control   |
|                                | The paired/connected device is not in playback mode | Play music/movie in the paired/connected device as usual and make sure the volume level of it is in high level   |
|                                | Input source incorrect                              | Press the  button on remote control or press the Standby/Source on the unit to switch to desired mode   |
| Sound distortion/rattle        | Volume level too high                               | Reduce the volume level by pressing the Vol- Button on the unit or press the - button on remote control<br><br>Reduce the volume level of the paired/connected device.                   |
| Remote Control not functioning | Out of working range                                | Point the remote control to the remote sensor on the unit within 16 feet, +/-30 degrees  |
|                                | The battery in the remote control is drained        | Replace with new battery   |
| Bluetooth reception failure    | The external device is too far from the unit        | Put the external BT device close to the unit   |
|                                | Have not paired                                     | Pair the unit with the BT Device as the procedures stated in this manual.  |



## SPECIFICATIONS

|   |   |
|---|---|
| Power input for main unit and subwoofe.....         | AC100~240V, 50/60Hz   |
| Power output for main unit and subwoofer.....       | DC16V  1.5A    |
| Audio output of the main unit.....                  | 2x10W   |
| Audio output of the subwoofer.....                  | 1x20W   |
| Bluetooth effective working range in open area..... | up to 32 feet   |
| Remote effective working range.....                 | up to 16 feet   |

### PACKAGES

- 1x Main Unit
- 1x Subwoofer
- 1x User Manual
- 1x Power Adapter
- 1x Remote Control
- 1x AUX IN Cable (1M)
- 1x LINE IN Cable (1.2M)
- 1x AC/DC Adapter for the Main Unit(DC16V, 1.5A)
- 1x AC/DC Adapter for the Subwoofer(DC16V, 1.5A)

**SPECIFICATIONS AND ACCESSORIES ARE SUBJECT TO CHANGE  
WITHOUT NOTICE**

For service assistance and product information, please call: 1-800-968-9853.

Curtis International Ltd.

7045 BECKETT DRIVE, UNIT 15, MISSISSAUGA, ON, L5S 2A3 [www.curtisint.com](http://www.curtisint.com)

- English: "

This device complies with Industry Canada licence-exempt RSS standard(s). Operation is subject to the following two conditions:

- (1) this device may not cause interference, and
- (2) this device must accept any interference, including interference that may cause undesired operation of the device."

- French:"

Le présent appareil est conforme aux CNR d'Industrie Canada applicables aux appareils radio exempts de licence. L'exploitation est autorisée aux deux conditions suivantes :

- (1) l'appareil n' doit pas produire de brouillage, et
- (2) l'utilisateur de l'appareil doit accepter tout brouillage radioélectrique subi, même si le brouillage est susceptible d'en compromettre le fonctionnement."