

ARTWORK RELEASE INFORMATION

Description: CHT985 (C-18147)

Part number: CHT985_GB_EOCL1_HOUS

Size:

Vendor: JUNLAN (CL)

Material: LABEL

Color:

Finishing:

Remarks:

Date: 3 May 2018 **Prepared by:** Kwan

GB = Gift Box, IB = Manual, IS = Insert, LB = Label, SS = Silk Screen, CS = Clam Shell
BC = Blister Card

[3] Manufactured date Label

MANUFACTURED DATE: JUN 2018

Size: 36(W) x 6(H) mm

Color: Black letters on the white background

[4] FCC Label

Size: 48(W) x 14(H) mm

Color: White text on black background

1:1

THIS DEVICE COMPLIES WITH PART 15 OF THE FCC RULES. OPERATION IS SUBJECT TO THE FOLLOWING TWO CONDITIONS: (1) THIS DEVICE MAY NOT CAUSE HARMFUL INTERFERENCE, AND (2) THIS DEVICE MUST ACCEPT ANY INTERFERENCE RECEIVED, INCLUDING INTERFERENCE THAT MAY CAUSE UNDESIRABLE OPERATION.

[1] Rating Label

CHT985

Size: 47(W) x 21(H) mm

1:1 Color: White text on black background



[5] Box cover label

Size: ø33mm

Color: Blue text on Transparent background



[2] Customer Service Label

Customer service label

Size: 30(W) x 10(H)mm

Color: Black background with reverse white lettering

Material: Adhesive label

1:1

For customer service
e-mail: service@craigelectronics.com

Serial no. Label

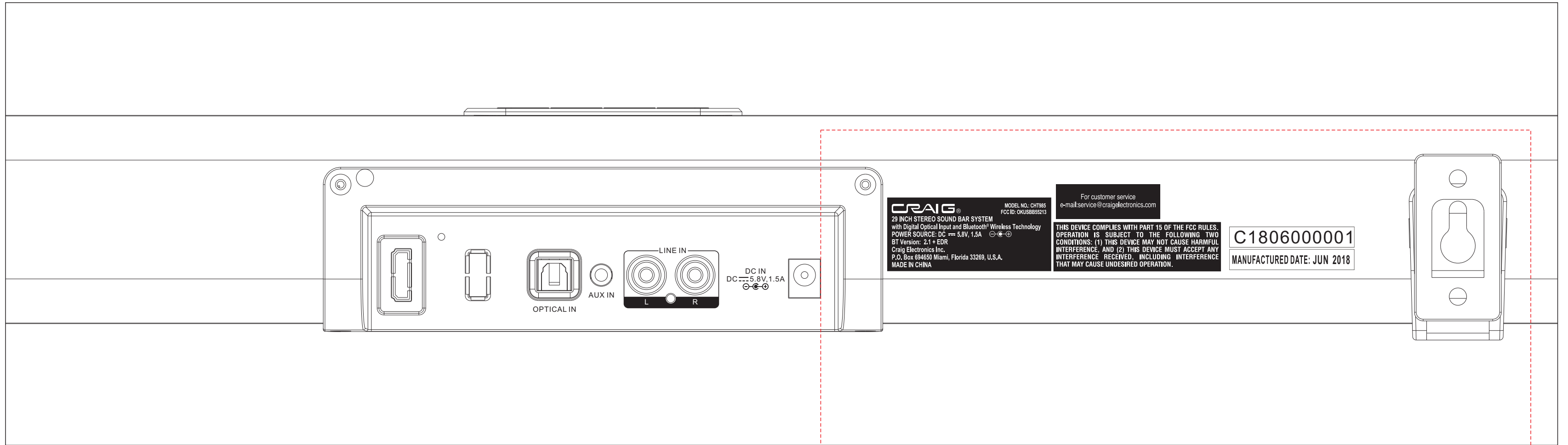
1:1

Size: 40(W) x 4.5(H) mm

Color: Black text on white background

1 2 3 4 5 6 7 8 9 0

example



贴纸位置图

		单号:	订单号: JLE18273D		
深圳君兰电子有限公司		版本/版次: A/0			
贴纸位	客户名称	CRAIG	本司型号	SBB-55213	
商标	CRAIG	客户型号	CHT985	单台数量	
拟制	胡本林	审核		批准	